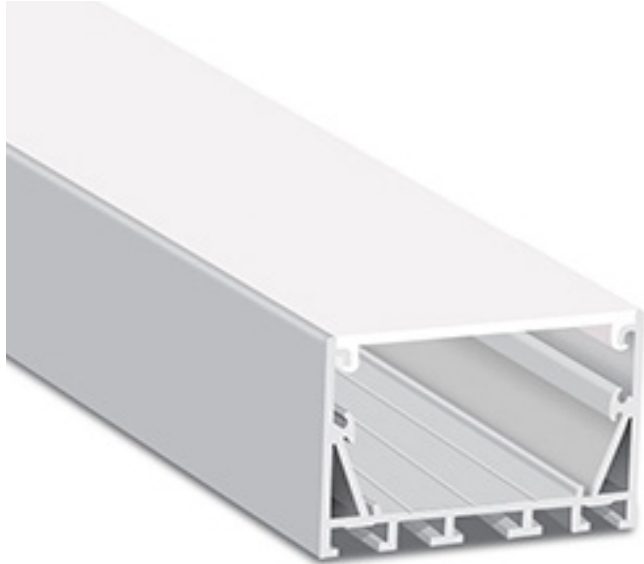


LED Aluminum Channel - 5035 LINEAR

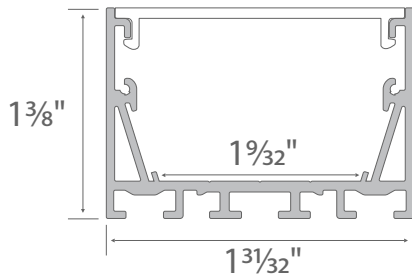
ES 5035



5035 LINEAR is ideal for clean suspended mounting of LED strip light. While installing, connectors can also help 5035 LINEAR to achieve different shapes.

Features

- Surface and Suspended mounting.
- Customizable.
- Anodized finish.
- Hotspot-free design.
- Covers and protect LED strip light.
- Manufactured with a patented frosted diffuser for maximum lumen output and wider beam distribution.



Specification

Length	94in
Internal width	1.26in
Finish	Silver
Diffuser	Milky
Material	Anodized Aluminum
Installation	Surface Mount, Suspended Mount
Accessories	End cap, Mounting, Connecting

Models

Model No.	Finish Color	Diffuser Type	Dimension (L x W xH)	Application
ES-5035-AL-8-M	Silver	Milky	94x1.97x1.38in	Indoor, Outdoor

Accessories (Sold Separately)

Mounting Accessories



ES 5035 End Caps
ES-5035-EC



ES 3535/5035/7535 Metal Clip
ES-3535/5035/7535-MC



Aluminum Channel Suspension Kit
AL-SE-HK-REG

Connecting Accessories



AL L-Shape Corner Connector - Flat
YD-FLC

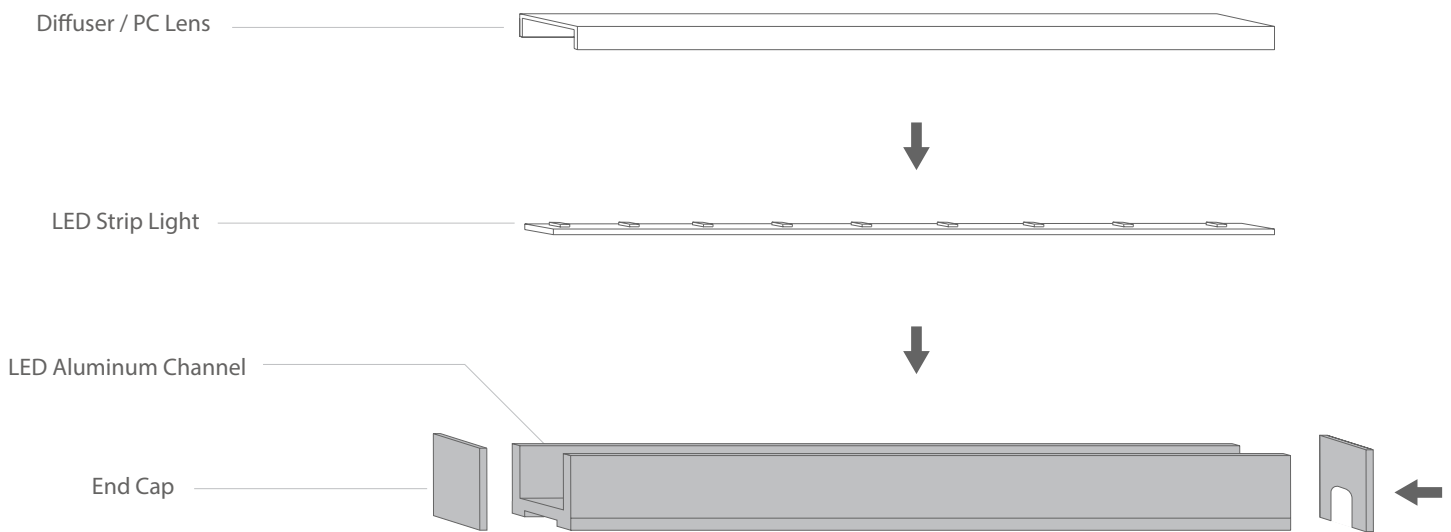


AL L-Shape Corner Connector - Vertical
YD-VTC



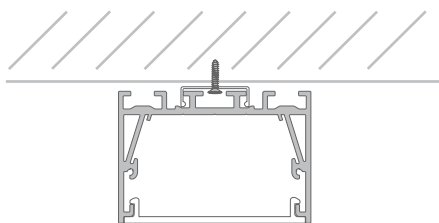
AL Straight Extend Connector
YD-EX

Installation Diagram

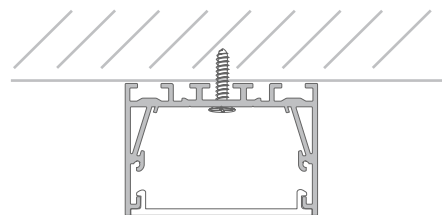


Mounting Options

Surface Mount

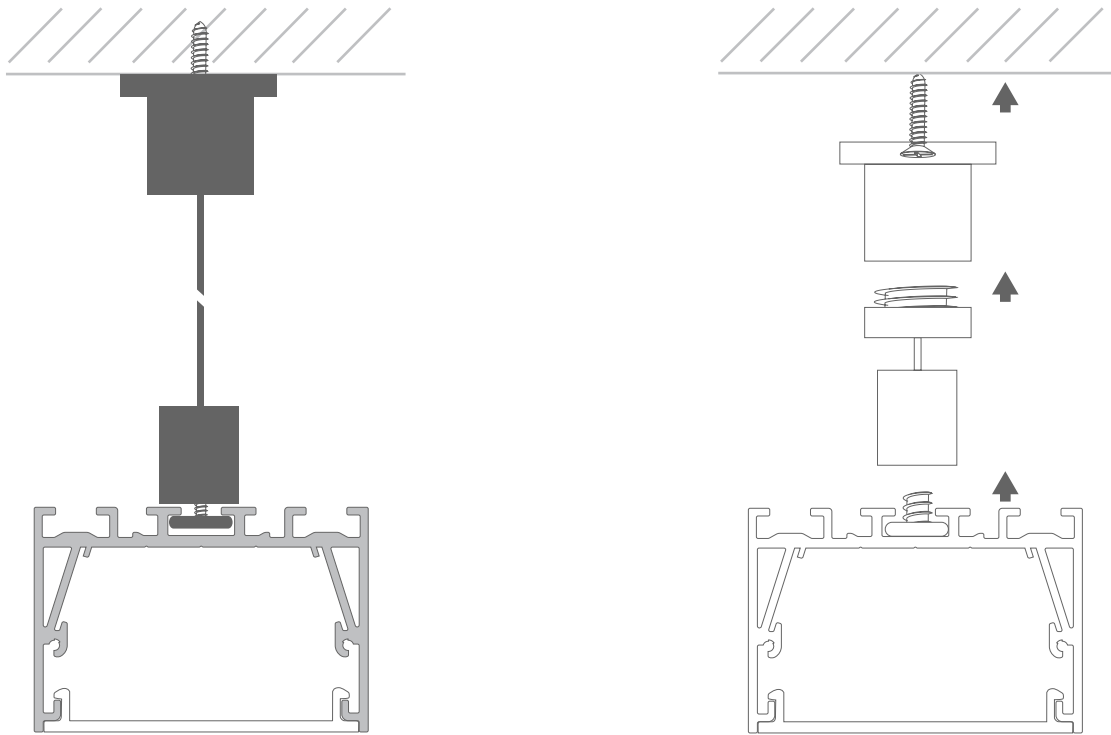


Surface mounting with Mounting Clips



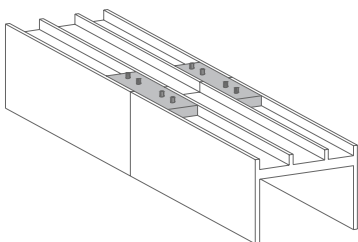
Surface mounting with Screws

Suspended Mount

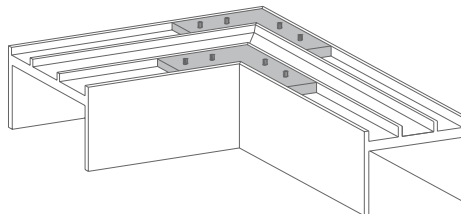


Suspended mounting with Suspension Kit

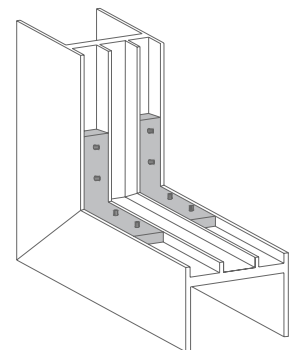
Connecting Options



Connecting with
AL Straight Extend Connector





Connecting with
AL L-Shape Corner Connector - Flat



Connecting with
AL L-Shape Corner Connector - Vertical

Compatible LED Strip Lights

Low Voltage LED Strip Lights	Series	Model No.	Width	LED Quantity	Light Filling Level	Hotspots Level
	INFINITE	GL-3528-120-xxxxK-24V-IP20-CC	0.39in	34 LEDs/ft	Partial	No Hotspot
	ECO	GL-3528-112-xxxxK-xxV-IPxx	0.39in	34 LEDs/ft	Partial	No Hotspot
	PRO	GL-3528-240-xxxxK-24V-IPxx	0.39in	73 LEDs/ft	Partial	No Hotspot
	LEGEND	GL-2835-240-xxxxK-24V-IPxx	0.39in	73 LEDs/ft	Partial	No Hotspot
	NARROW	GL-3528-120-xxxxK-12V-IP20-5MM	0.2in	36 LEDs/ft	Partial	No Hotspot
	COB	GL-COB-480-xxxxK-24V-IP20	0.39in	145 LEDs/ft	Partial	No Hotspot
	TUNABLE WHITE	GL-2835-240-CCT-24V-IP20	0.39in	73 LEDs/ft	Partial	No Hotspot
	FOR BREAD	GL-2835-60-2500K-12V-IP20-B	0.39in	18 LEDs/ft	Partial	No Hotspot
	FOR MEAT	GL-2835-60-2900K-12V-IP67-M	0.39in	18 LEDs/ft	Partial	No Hotspot
	RGB HIGH BRIGHT	GL-5050-60-RGB-xxV-IPxx	0.39in	18 LEDs/ft	Partial	No Hotspot
	RGB SUPER BRIGHT	GL-3535-120-RGB-24V-IPxx	0.39in	34 LEDs/ft	Partial	No Hotspot
	RGBW	GL-5050-96-RGB+xxxxK-24V-IP20	0.47in	29 LEDs/ft	Partial	No Hotspot
	RGB DIGITAL	GL-5050-60-DIG-12V-IPxx	0.39in	18 LEDs/ft	Partial	No Hotspot

Light Filling Level

We recommend to use two, or more, LED strips in a shallow channel that has internal width that is greater than .8in to prevent partial filling.



Full



Partial

Hotspots Visible Level

When LEDs are used with aluminum channel there may be hot spots. The more depth of a channel, and/or density of a LED, can help reduce visible hot spots




No Hotspot



Partial Hotspot



Hotspot

120VAC LED Strip Lights	Series	Model No.	LED Quantity	Recommended # of Strips to Use
	PRO-S	GL-LV-2835WWC-96H-120-2700K-xx-0	18 LEDs/ft	2 strips

When use 120VAC LED strip light in LINEAR series, it is usually hotspots free.