

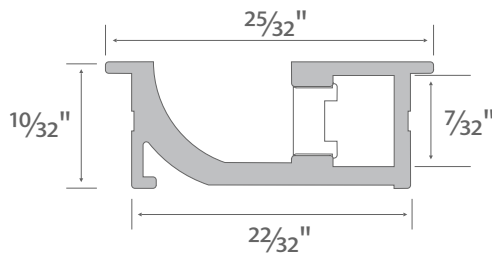
LED Aluminum Channel - WASH RECESS JH 1722



WASH RECESS JH 1722 is ideal for recessed mounting of LED strip light that eliminate glare. With its small size, JH 1722 performs successfully with shelf lighting.

Features

- Small and recessed.
- Customizable.
- Anodized finish.
- Eliminate glare..
- Only able to fit NARROW Series(GL-3528-120-XXXXX-12V-IP20-5MM).
- Manufactured with a patented frosted diffuser for maximum lumen output and wider beam distribution.



Specification

Length	24in, 94in
Internal width	0.22in
Finish	Silver
Diffuser	Milky
Material	Anodized Aluminum
Installation	Surface Mount
Accessories	End cap

Models

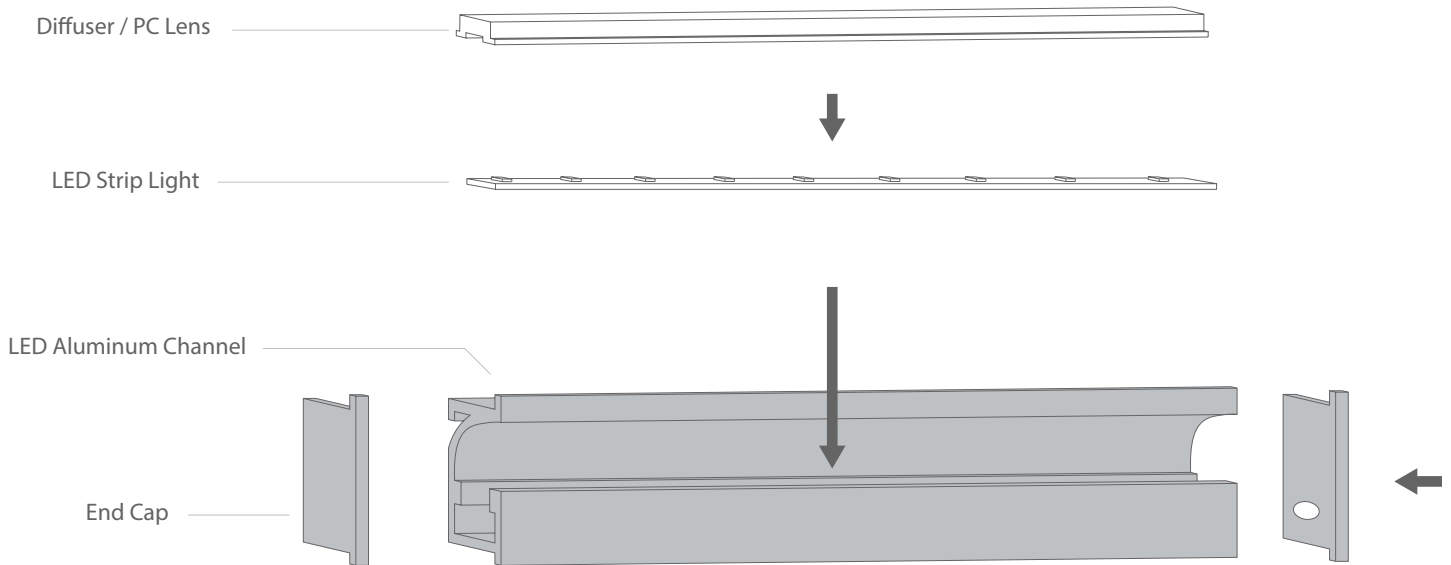
Model No.	Finish Color	Diffuser Type	Dimension (L x W xH)	Application
JH-1722-AL-2-M-S	Silver	Milky	24x0.73x0.3in	Indoor
JH-1722-AL-8-M-S	Silver	Milky	94x0.73x0.3in	Indoor

Accessories (Sold Separately)



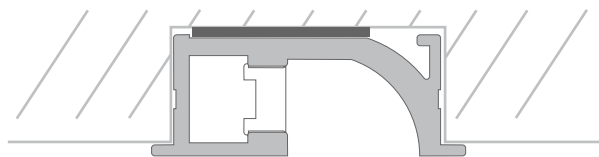
JH 1722 End Caps
JH-1722-EC-S

Installation Diagram




Mounting Options

Recessed Mount



Recessed mounting with 3M Tape

Compatible LED Strip Lights (Sold Separately)

	Series	Model No.	Width	LED Quantity
	NARROW	GL-3528-120-xxxxK-12V-IP20-5MM	0.2in	36 LEDs/ft

*For more detailed light information, please see LED strip light- NARROW series specification.