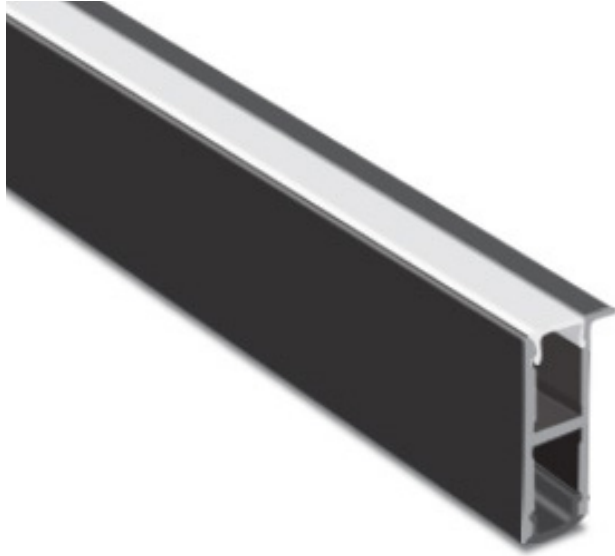


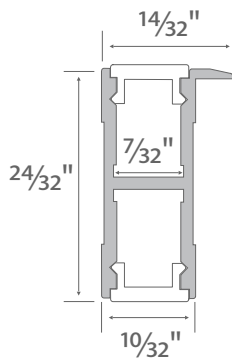
LED Aluminum Channel - BOARD EDGE JH 1713



Board Edge JH 1713 is specially designed for shelf illumination. With the double direction illumination, JH 1713 performs a easy installation with display shelves.

Features

- Double directions.
- Customizable.
- Anodized finish.
- Recessed mount.
- Only able to fit NARROW Series(GL-3528-120-XXXXK-12V-IP20-5MM).
- Manufactured with a patented frosted diffuser for maximum lumen output and wider beam distribution.



Specification

Length	24in, 94in
Internal width	0.21in
Finish	Black
Diffuser	Milky
Material	Anodized Aluminum
Installation	Recessed Mount
Accessories	End cap

Models

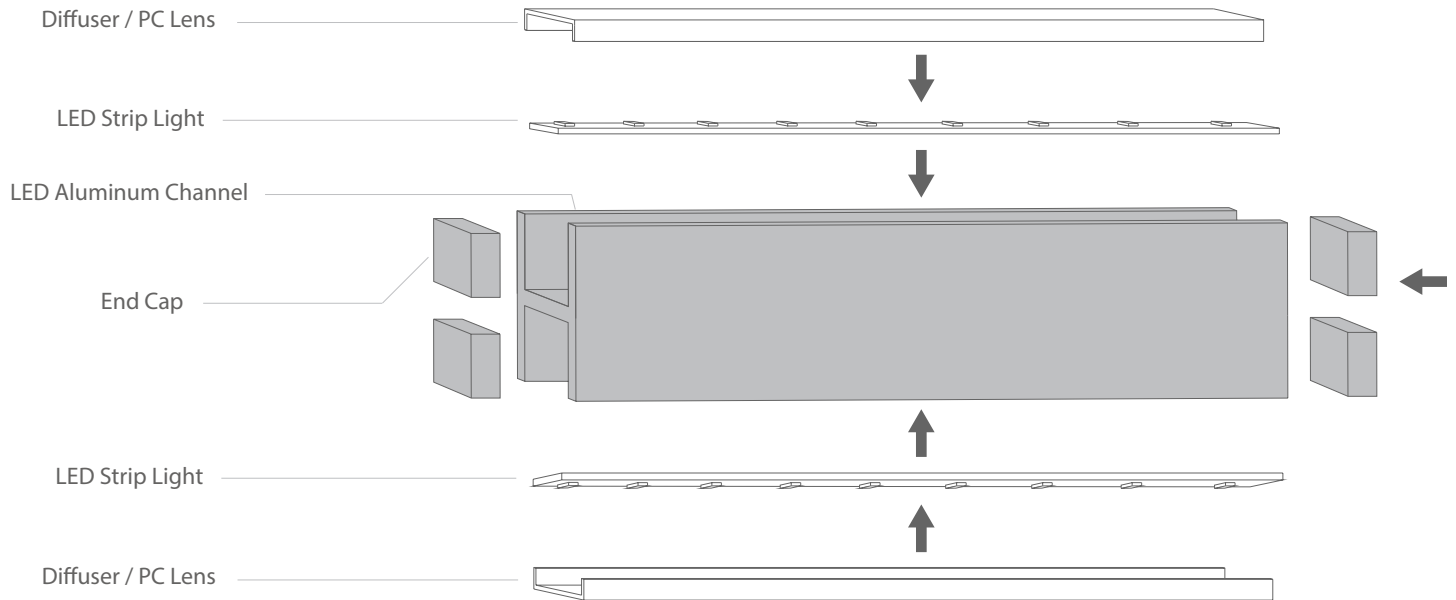
Model No.	Finish Color	Diffuser Type	Dimension (L x W xH)	Application
JH-1713-AL-2-M-B	Black	Milky	24x0.73x0.39in	Indoor
JH-1713-AL-8-M-B	Black	Milky	94x0.73x0.39in	Indoor

Accessories (Sold Separately)



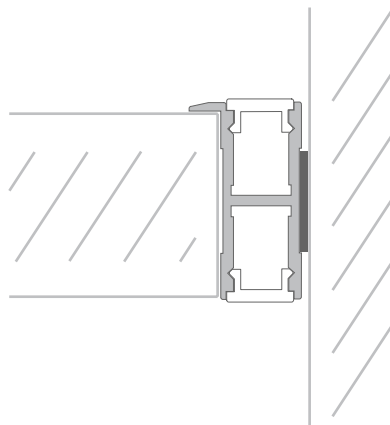
JH 1713 End Caps
JH-1713-EC-B

Installation Diagram




Mounting Options

Recessed Mount



Recessed between shelves with 3M tape

Compatible LED Strip Lights (Sold Separately)

	Series	Model No.	Width	LED Quantity
	NARROW	GL-3528-120-xxxxK-12V-IP20-5MM	0.2in	36 LEDs/ft

*For more detailed light information, please see LED strip light- NARROW series specification.