

70W WALL PACK LIGHT



PRODUCT FEATURES:

- ❖ Optical design, greatly improved the light utilization and evenness.
- ❖ High efficiency LED Driver, voltage AC120-277.
- ❖ Cast Aluminum design, better cooling, light quality, LED Tj < 85°C.
- ❖ Photocell Control (Optional).

MODEL #	
PROJECT:	
NOTES:	
DATE:	
PREPARED BY:	

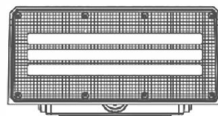
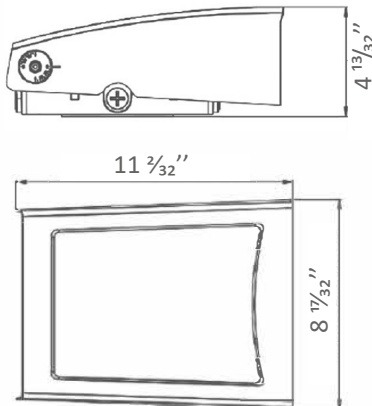
Additional Information:

- Power: 70W
- Input: AC 120-277V
- CCT: 5000K
- Output: 9170 LM
- Light Source: LUMILEDS
- Driver: KERHAM



PRODUCT APPLICATIONS:

The WALL PACK LED Lighting Series can be widely used for Indoor or Outdoor (Wet Location) Excellent for Museums, Art Galleries, Shopping Malls, Office Buildings, Walls and many other applications.



Structure Features:

- Shell Materials: Aluminum & PC
- Finish: Dark Bronze/White/black
- Net Weight: 2.25KG (5.0 LBS)
- Product Size: 11 1/32" x 8 1/2" x 4 13/32"
- Carton Size: 13" x 10 5/32" x 5 29/32"

TECHNICAL PARAMETERS:

Type	Adjustable Wall Pack		
Power	70W	Lighting Angle	87°
Input Voltage	AC120-277V	LED Brightness Decay	<5%/6000 hrs
PF	>0.98	Working Life	>75000 hrs
Driver Efficiency	>90%	Working Temperature	-30 - +45°C
Luminous Flux	9170 Lm	Storage Temperature	-40 - +80°C
Color Temperature	5000K	Protection Level	Wet Location
CRI	Ra>80	Cable	Input Connect, No Cable

PHOTOMETRY:

