

70W LED Full Cutoff Wall Pack



Features

- Lumileds LED, high luminous efficiency and long working life.
- High efficiency LED Driver, the wide range input voltage AC120-277V.
- Die Cast aluminium cooling design, high quality and better cooling for LED Tj < 85°C.
- Excellent Optics design, greatly improve the light utilization and evenness.

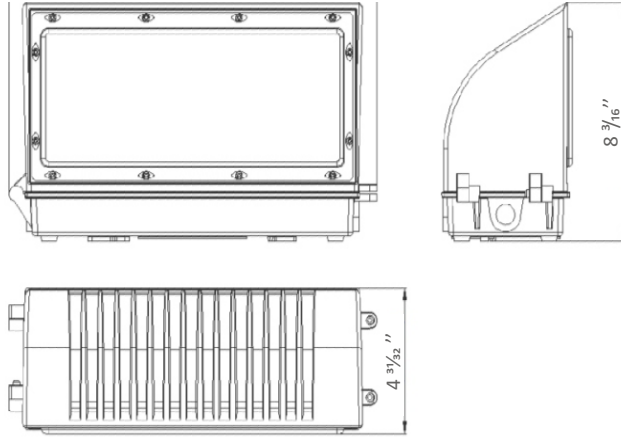
Product Applications

GL LED Full Cutoff Wall Pack series can be widely used in indoor or outdoor lighting(Wet location), like mechanical or electronic processing workshops, storage warehouses, steel mills, gas stations, toll booth, waiting rooms, the platforms of railway station, indoor stadiums.



Specifications

Unit: inch



Structure Features

- Shell materials: Aluminum & PC.
- Finish: Dark Bronze/White
- Net weight: 3.0Kg (6.61 lbs)
- Product Size: 13 31/32" x 8 3/16" x 4 31/32"
- Carton Size: 15 1/2" x 10 17/32" x 7 9/32"

Technical Parameters

Power	70W	Lighting Angle	62°x118°
Input Voltage	AC120-277V	LED Brightness Decay	<5%/6000 hrs
PF	>0.95	Working Life	>50000 hrs
Driver Efficiency	>90%	Working Temperature	-30 - +45°C
Luminous Flux	10500 Lm	Storage Temperature	-40 -+80°C
Color Temperature	5000K	Cable	Input Connect, No cable
CRI	Ra>70	Light Source	Lumileds
Protection Level	Wet Location/IP65	LED Driver	KERHAM

Photometry

