

LED Dimmable Driver - 5 in 1 Dimming

- G-60W-24V-DWJ



Commercial-Grade 5 in 1 Dimmable LED Driver provides smooth, stable, efficient, and flicker-free dimming capability for LED lighting. It is rated for wet and dry locations. It has superior dimming performance and is compatible with many dimmer models of:

- Phase dimming: Triac, ELV (reverse phase dimming), MLV (forward phase dimming)
- 0-10V dimming
- 1-10V dimming
- Potentionmeter
- 10V PWM

Features

- Universal AC input: 100-277VAC
- Flicker-free, $f \geq 20$ K Hz
- Dimming Range: 0-100%
- Compact housing IP66 waterproof design
- UL, cUL listed, Class 2 unit, Type HL rated, FCC
- 5 Year Warranty



Specification

Input

Voltage Range	100-277VAC
Frequency Range	47-63Hz
Power Factor (Typ). @ full load	0.98@120VAC 0.95@277VAC
THD(Typ.)@ full load	<20%
Efficiency(Typ.)@ full load	83%@120VAC 84%@277VAC
AC Current(Max.)	0.5A@100VAC
Inrush Current (Typ.)	14A, 50%, 780us @120VAC 15A, 50%, 660us @277VAC
Leakage current	<0.50mA

Output

DC Voltage	24V
Rated Current	2.5A
Rated Power	60W
Voltage Tolerance	$\pm 0.5V$
Voltage Regulation	$\pm 0.5\%$
Load Regulation	$\pm 1\%$
Frequency Range	20K HZ

Environment

Working Temperature	-40~+140°F (see below derating curve)
Working Humidity	20~90%RH, non-condensing
Storage Temp. Humidity	-40~+176°F, 10~95%RH
Temp. Coefficient	$\pm 0.03\%/^{\circ}F$ (32°F~122°F)
Vibration	10 ~ 500Hz, 5G 10min. /1 cycle, period for 60min. each along X,Y,Z axes

Protection, Safety& EMC

Short Circuit	Shut down o/p voltage, re-power on to recover after fault condition is removed
Over Loading	≤120% Hiccup mode, recovers automatically after fault condition is remove
Over Temperature	212°F±50°F shut down o/p voltage, automatically recover after cooling
Safety Standards	UL8750
Withstand Voltage	I/P-O/P:1.88KVAC
Isolation Resistance	I/P-O/P: 100MΩ/500VDC/77°F/70%RH
EMC EMISSION	FCC 47 CFR Part 15, Subpart B

Others

Net Weight	2.43 lb
Dimension	7 ¹³ / ₃₂ x 3 ³ / ₄ x 1 ³ / ₄ in
Packing	20PCS/CTN

Order Information

Series	Power	Voltage	Model
G	60W	24V	DWJ

Notes

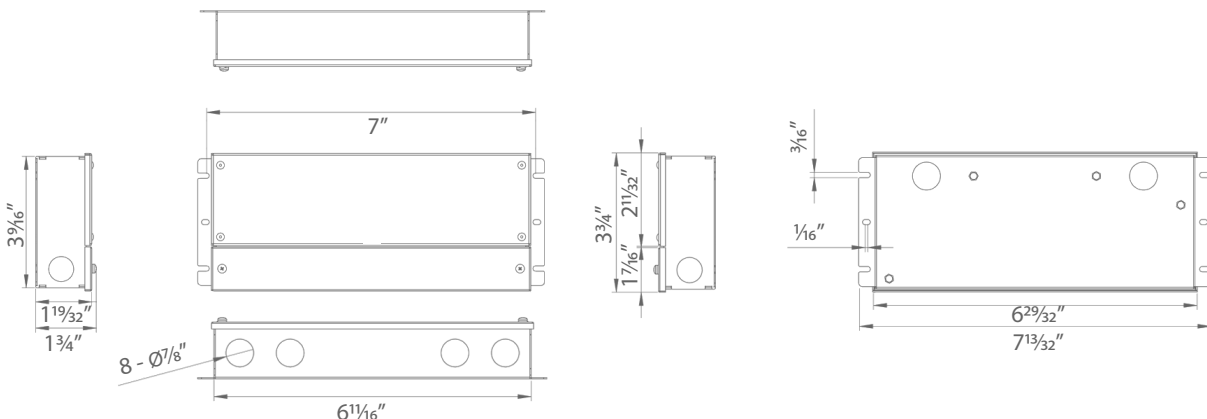
All parameters if NOT specially mentioned are measured at 120V AC input, rated load and 25°C / 77°F ambient temperature.

Warning: Do NOT reverse polarity high voltage input of the driver as it will destroy the product.

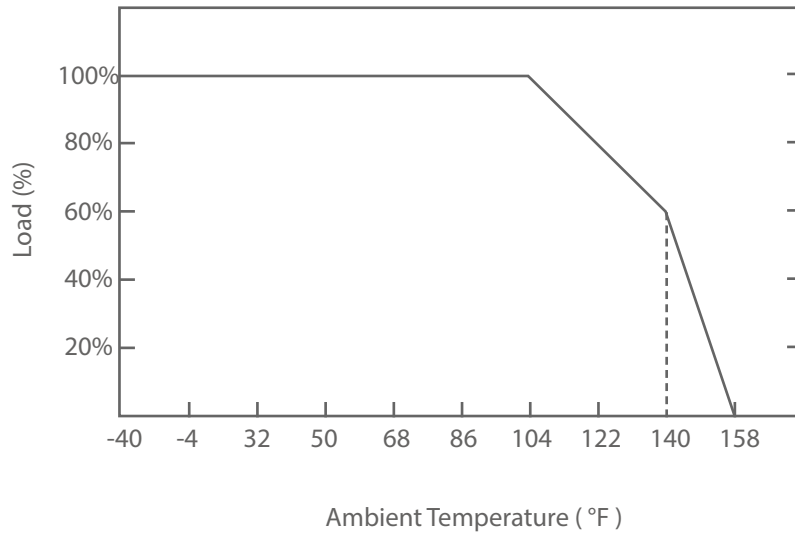
Asynchrony can occur when using multiple drivers in a project due to driver virtual signals and component skew. It is recommended to use the same model of driver to ensure the consistency of the driver.

Dimensions

Units: inch



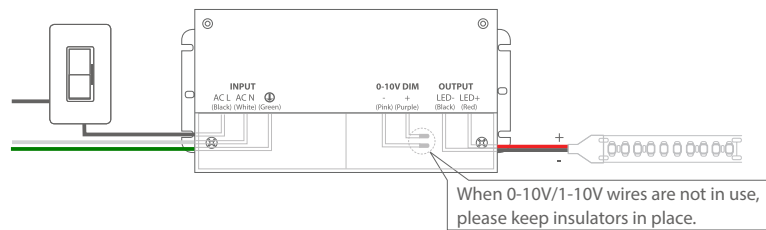
Derating Curve



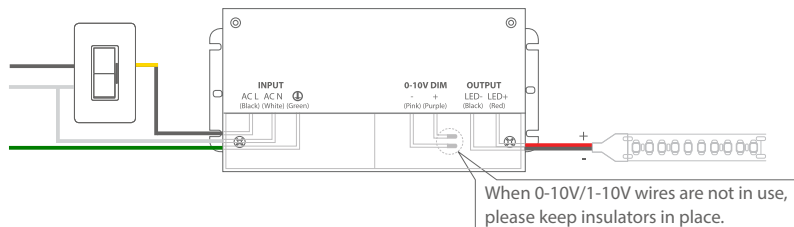
* The Derating curve is a graph that shows how the maximum current rating of a component decreases as the ambient temperature increases. Strong recommendation used in environments less than 104°F.

Connecting Diagram

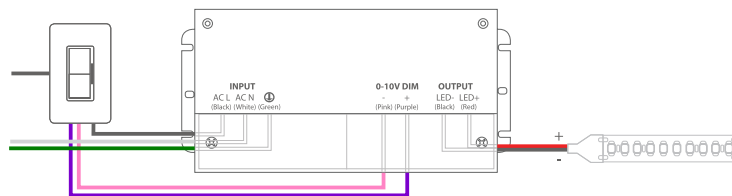
TRIAC dimming



ELV dimming

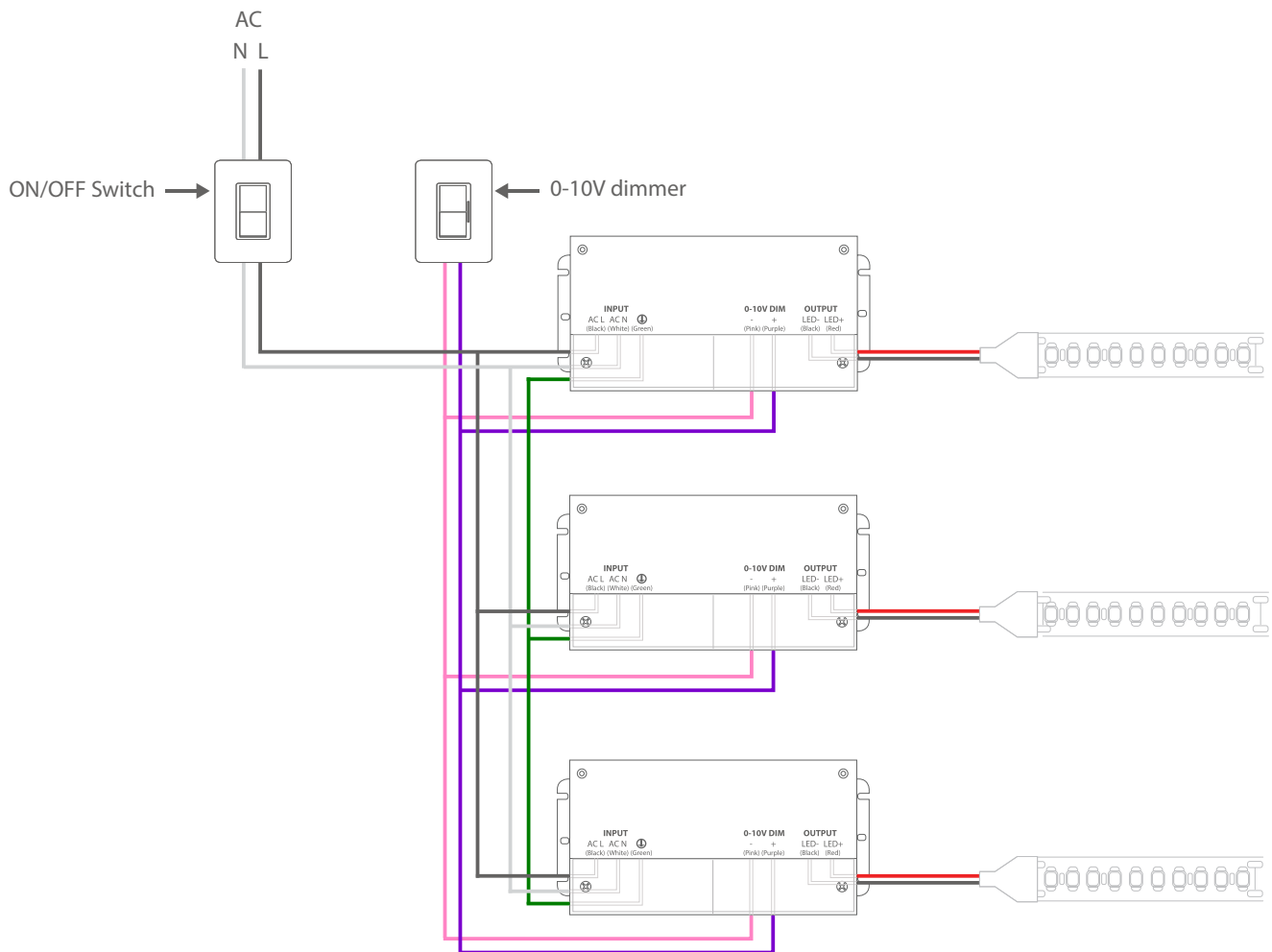


0-10V/1-10V dimming



* Note: Dimmer switch wiring for reference use only. Please follow wiring instructions provided with the dimmer switch.

0-10V/1-10V dimmer for large scope projects.



Note: Dimmer switch wiring for reference use only. Please follow wiring instructions provided with the dimmer switch.

For a large scope project: The 5 in 1 dimmable driver signal power consumption is 0.2mA/pc. When using one 0-10V dimmer and multiple 5 in 1 dimmable drivers for a large scope project, please check the dimmer signal output to calculate the quantity of drivers it can carry.

For example, Lutron Diva 0-10V Dimmer DVSTV signal output is 50mA, it can carry up to 200pcs of the 5 in 1 dimmable driver ($50\text{mA}/0.2\text{mA} \times 80\% = 200\text{pcs}$, using 80% capacity).

Notice

1. This driver should be installed by a qualified professional;
2. Before commencing any installation or maintenance work, disconnect the driver from AC power entirely;
3. Maintain 4-6 inches clearance around the driver and make sure that it is exposed to open airflow. Do not mount the driver near a heat source. High temperature will reduce the load capacity of the driver and shorten the life;
4. When using the driver at a wet location, make sure the connection between the driver and the lighting fixture is watertight;
5. If the driver does not work properly, do not disassemble it for maintenance without permission.