

45W LED Slim Canopy Light



Features

- Lumileds LED, high luminous efficiency and long working life.
- High efficiency LED Driver, the wide range input voltage AC120-277V.
- Die Cast aluminium cooling design, high quality and better cooling for LED $T_j < 85^{\circ}\text{C}$.
- Excellent Optics design, greatly improve the light utilization and evenness.
- Motion sensor Control Available (Option)

Product Applications

GL LED Slim Canopy Light series can be widely used in outdoor lighting (Wet location), Excellent for Museums, Art Galleries, Parking Garage, Buildings, The lawn, Industrial areas, Residential areas, Sidewalks, Schools and etc, and many more applications

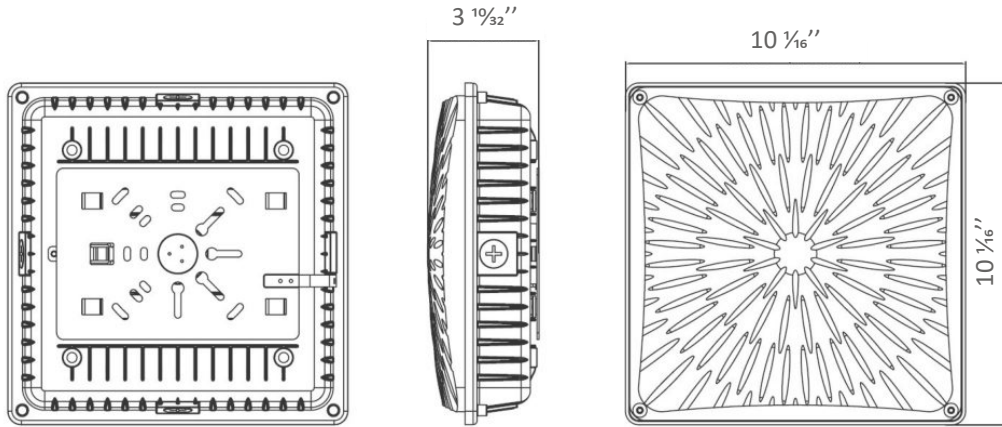


Specifications

Unit: inch

Structure Features

- Shell materials: Aluminum & PC.
- Finish: Dark Bronze/White
- Net weight: 2.47Kg (5.5 lbs)
- Product Size: 10 1/16" x 10 1/16" x 3 19/32"
- Carton Size: 10 5/8" x 10 5/8" x 4 11/32"



Technical Parameters

Power	45W	Lighting Angle	159°
Input Voltage	AC120-277V	LED Brightness Decay	<5%/6000 hrs
PF	>0.95	Working Life	>50000 hrs
Driver Efficiency	>90%	Working Temperature	-30 - +45°C
Luminous Flux	6075 Lm	Storage Temperature	-40 -+80°C
Color Temperature	5000K	Cable	Input Connect, 0.3m
CRI	Ra>70	Light Source	Lumileds
Optional dimming function	1-10Vdc	LED Driver	KERHAM
Protection Level	Wet Location/IP65		

Photometry

