

# 30W LED Flood Lighting



## Features

- Lumileds LED, high luminous efficiency and long working life.
- High efficiency LED Driver, the wide range input voltage AC120-277V.
- Die Cast aluminium cooling design, high quality and better cooling for LED Tj < 85°C.
- Excellent Optics design, greatly improve the light utilization and evenness.
- Photocell Control Available (Option)

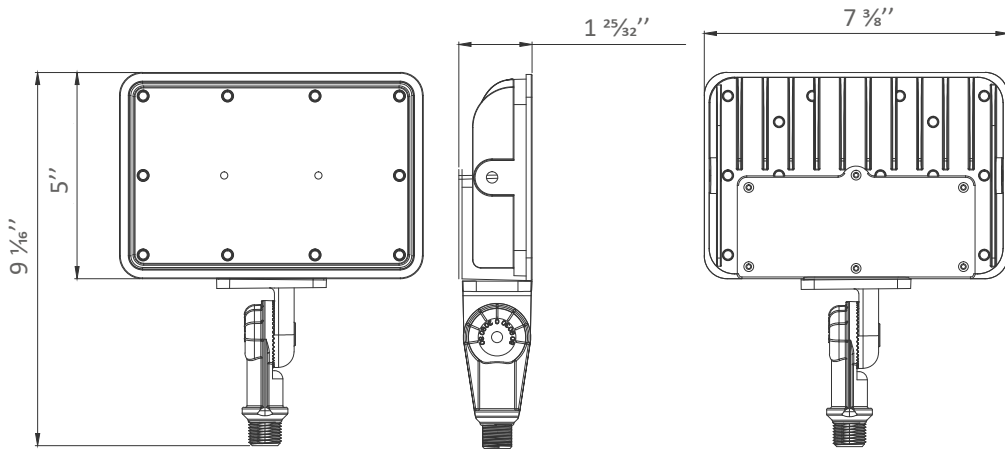
## Product Applications

GL LED Flood Lighting series can be widely used in indoor or outdoor lighting(Wet location), Excellent for Museums, Art Galleries, Shopping Malls, Office Buildings, The lawn, Walls, and many more applications.



### Specifications

Unit: inch



### Structure Features

- Shell materials: Aluminum & PC.
- Finish: Dark Bronze/White
- Net weight: 1.38Kg (3.04 lbs)
- Interbox Size: 10 5/16" x 8 25/32" x 3 5/32" (1pcs)
- Carton Size: 21 1/4" x 17 7/8" x 9 3/4" (10pcs)

### Technical Parameters

Power	30W	Lighting Angle	101°
Input Voltage	AC120-277V	LED Brightness Decay	<5%/6000 hrs
PF	>0.95	Working Life	>50000 hrs
Driver Efficiency	>90%	Working Temperature	-30 - +45°C
Luminous Flux	4350 Lm	Storage Temperature	-40 -+80°C
Color Temperature	5000K	Cable	3 core, 18AWG
CRI	Ra>70	Light Source	Lumileds
Finish	Dark Bronze	LED Driver	WEIPENG
Protection Level	Wet Location/IP65		

### Photometry

