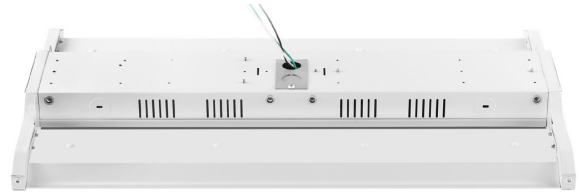


2FT 85W LED Linear High Bay Light

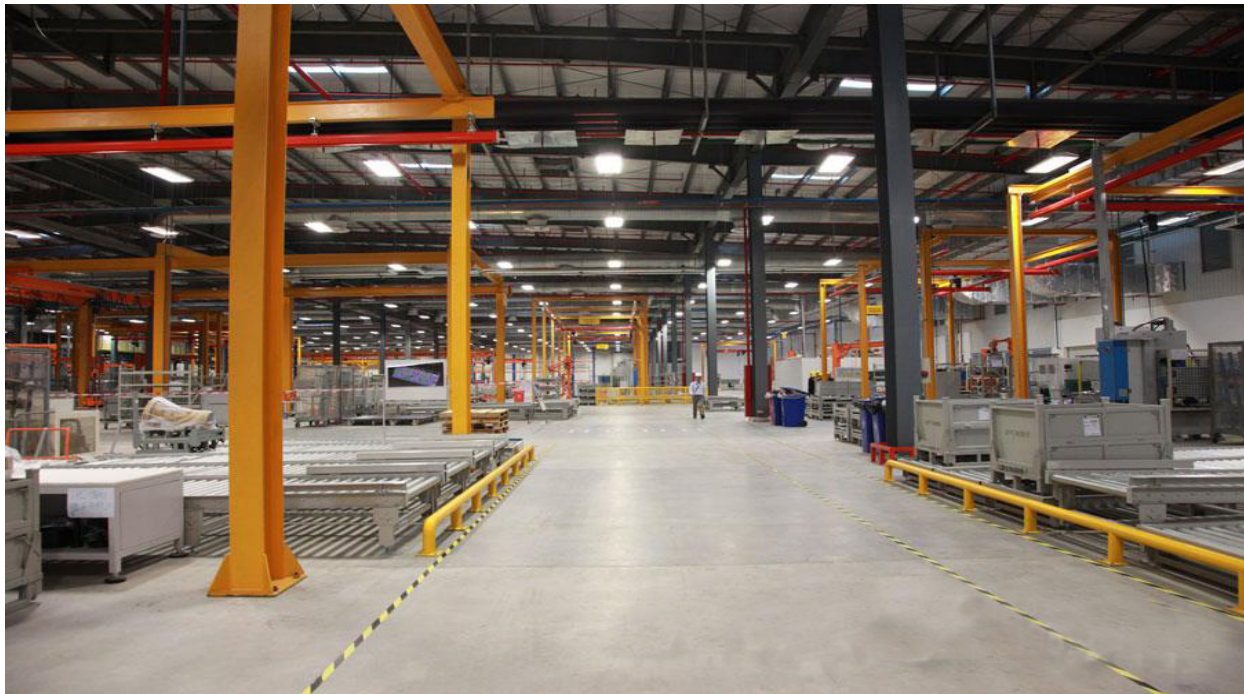


Features

- Optical design, greatly improved the light utilization an evenness.
- High efficiency LED Driver, voltage AC120-277.
- Rugged galvanized rolled iron plate housing, better cooling, light quality, LED Tj < 85°C.
- 0-10V dim to 10% then to off.
- Field install plug and play Bi-Level Sensor

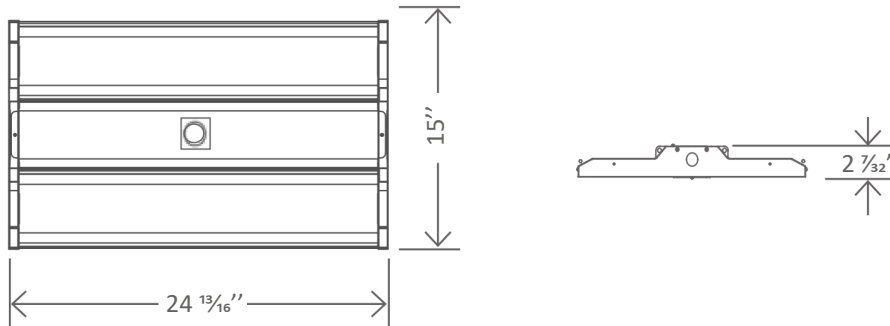
Product Applications

The Linear High Bay with its all-in-one, lightweight and slim with multiple mounting situations available put it at the top of the list for any high ceiling area where super bright light is needed. The LED Linear High bay Light Series can be widely used for indoor excellent for warehouse, industry building, factories, fitness center, and many other applications.



Specifications

Unit: inch



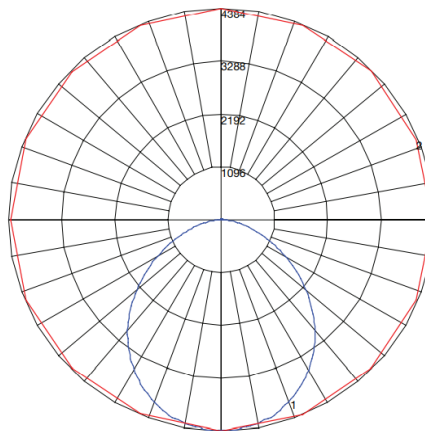
Structure Features

- Shell materials: Aluminum & PC.
- Finish: White
- Net weight: 10.36 lbs/11.24 lbs
- Product Size: 24¹³/₁₆" x 15" x 2⁷/₃₂"
- Carton Size: 25²⁹/₃₂" x 15¹³/₃₂" x 2¹⁹/₃₂"

Technical Parameters

Power	85W	Lighting Angle	105°
Input Voltage	AC120-277V	LED Brightness Decay	<5%/6000 hrs
PF	>0.98	Working Life	>50000 hrs
Driver Efficiency	>90%	Working Temperature	22°F ~ 113°F
Luminous Flux	11560 Lm	Storage Temperature	-40°F ~ 176°F
Color Temperature	3500K, 4000K, 5000K	Protection Level	Dry Location/IP20
CRI	Ra>80	Cable	Input connect, No cable
Optional Dimming Function	0-10V will be dim to 0%	Efficacy	136 lm/W

Photometrics



Maximum Candela = 4384.3 Located At Horizontal Angle = 90, Vertical Angle = 2
 # 1 - Vertical Plane Through Horizontal Angles (90 - 270) (Through Max. Cd.)
 # 2 - Horizontal Cone Through Vertical Angle (2) (Through Max. Cd.)

Control (Sold Separately)



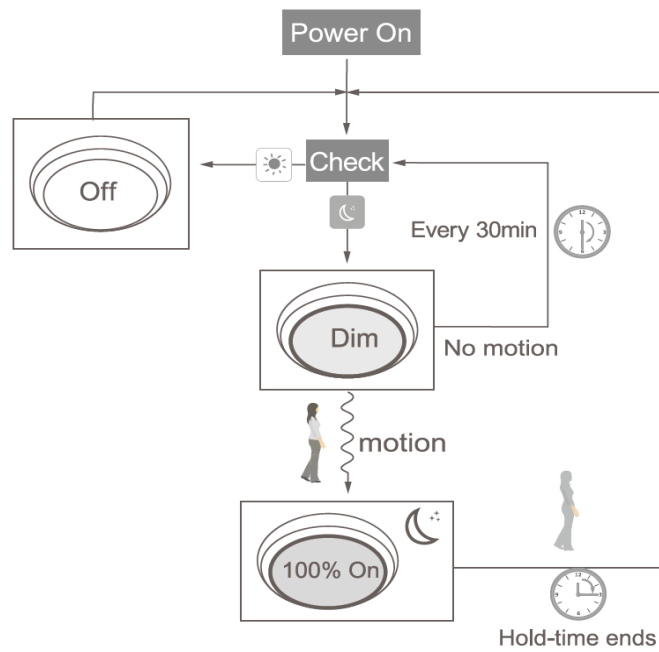
ANT-5-4T



RC-100

Daylight Sensor Function

Open the daylight sensor by push when remote control is in setting condition.



Coverage

