

2FT 100W LED Linear High bay Light

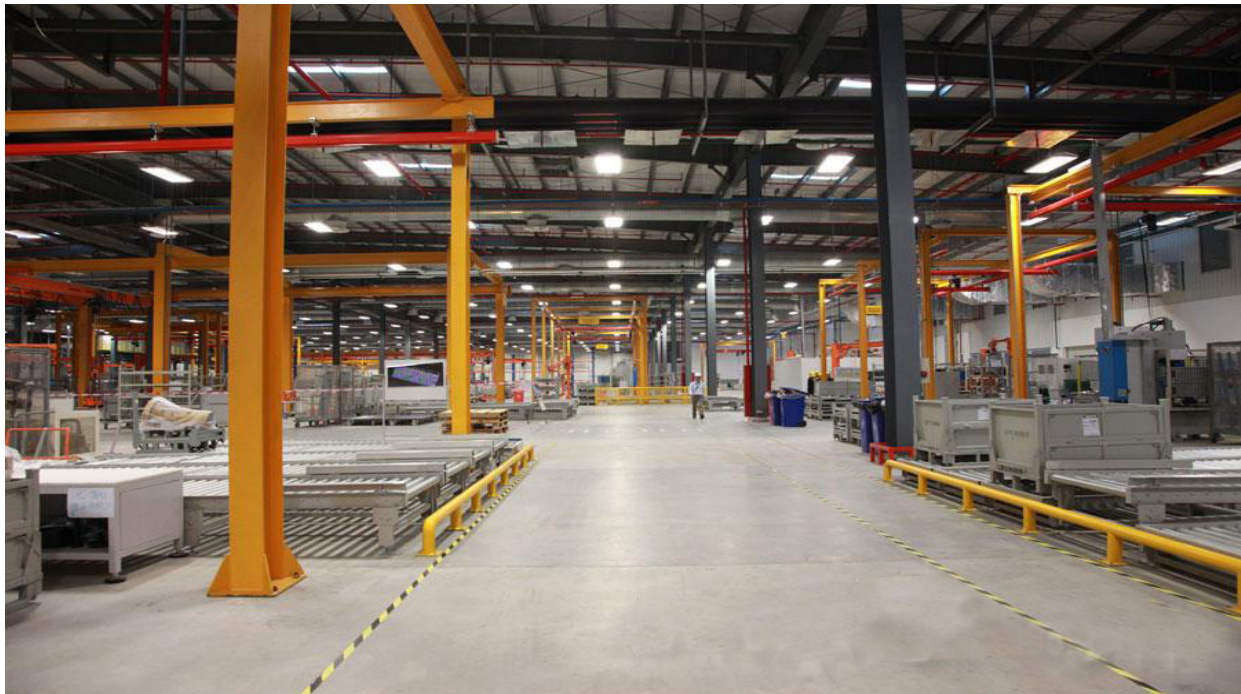


Features

- Lumileds LED, high luminous efficiency and long working life.
- High efficiency LED Driver, the wide range input voltage AC120-277V.
- Die Cast aluminium cooling design, high quality and better cooling for LED Tj < 85°C.
- Excellent Optics design, greatly improve the light utilization and evenness.
- Motion sensor Control Available (Option)

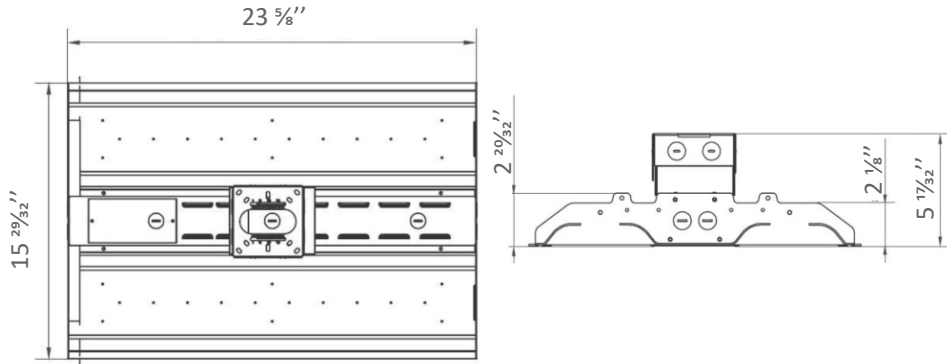
Product Applications

GL 2FT 100W LED Linear High bay Light series can be widely used in indoor lighting(location), like Warehouse, Gymnasium, Supermarket, Workshop, Toll booth, Waiting rooms, platforms of railway station etc.



Specifications

Unit: inch



Structure Features

- Shell materials: Aluminum & PC.
- Finish: White
- Net weight: 5.5Kg (12.1 lbs)
- Product Size: 23 5/8" x 15 29/32" x 2 29/32"
- Carton Size: 26" x 18 1/2" x 6 4/32"

Technical Parameters

Power	100W	Lighting Angle	115°
Input Voltage	AC120-277V	LED Brightness Decay	<5%/6000 hrs
PF	>0.95	Working Life	>50000 hrs
Driver Efficiency	>90%	Working Temperature	-30 - +45°C
Luminous Flux	13000 Lm	Storage Temperature	-40 -+80°C
Color Temperature	5000K	Protection Level	Dry Location/IP20
CRI	Ra>80	LED Driver	SOSEN
Optional Dimming Function	1-10Vdc		

Photometry

