

LED Strip Light -- RGB HIGH BRIGHT



This flexible RGB LED light strip is perfect for cabinet lighting, under-cabinet lighting, toe-kick lighting, cove lighting, task lighting, bookshelf lighting, showcase lighting, cupboard lighting, bias lighting, or for other indoor applications where space is limited.

Features

- Slim, flexible and cuttable design allows for easy installation and illuminates every edge with light.
- Low power consumption without heat.
- Easy installation featuring 3M VHB adhesive backing.
- High brightness with color changing output, suitable for party, entertainment and decoration.
- 50,000h long lifespan with 5 years limited warranty.
- UL listed.

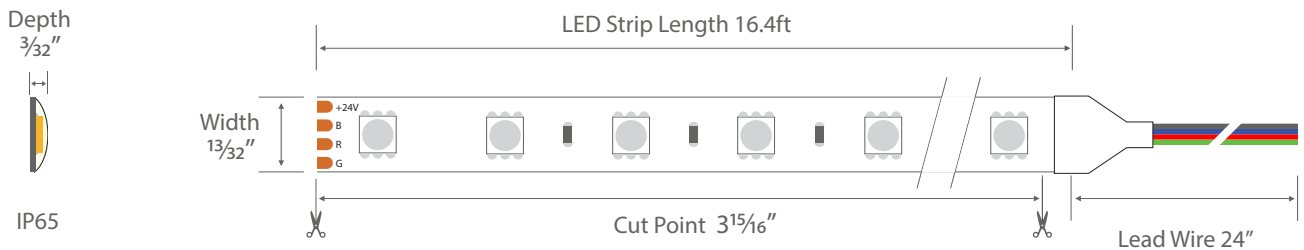


Specification

Input Voltage	24VDC
Controller	RGB color changing controller
Lead Wire	20 AWG, 2ft (4 wires)
Color	RGB
Brightness	Up to 144lm/ft
Light Efficacy	Up to 33lm/W
Power Consumption	4.4W/ft

LED Quantity	18 LEDs/ft
No Voltage Drop	16.4 ft Max
LED Chip	5050
Operating Temperature	-13°F~104°F
Lumen Maintenance	50,000 hrs
IP Rating	IP65 (Wet location)

Models



Order Information

GL — **LED Type** — **LED Quantity per Meter** — **Color** — **Voltage** — **IP Rate**

Voltage Drop Guidance Chart

This table provides general guidelines for determining Wire Gauge based on total load and distance from LED transformer to beginning of luminaire.

24V Voltage Drop & Wire Length Distance Chart (3% Drop or 23.28V)

Wire Gauge (AWG)	10W 0.42A	20W 0.83A	30W 1.3A	40W 1.7A	50W 2.1A	60W 2.5A	70W 2.9A	80W 3.3A	90W 3.75A	100W 4.2A
20	85ft	43ft	27ft	21ft	17ft	14ft	12ft	11ft	9ft	8ft
18	134ft	68ft	45ft	33ft	27ft	22ft	19ft	17ft	15ft	14ft
16	215ft	109ft	72ft	54ft	43ft	36ft	31ft	27ft	24ft	22ft



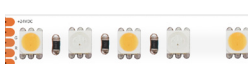

Step 1: Calculate Total Load: Check the power consumption of the LED light (e.g. 3W/ft). Calculate the total load of the LED light based on the light length (e.g. 10ft). The total load is 3W/ft x 10ft = 30W.

Step 2: Find Distance from Transformer to the Light Beginning: Check the distance between the transformer to the beginning of the light onsite. Let's assume it is 40ft. Round up to the nearest one on the table (Column 30W), which is 45ft.

Step 3: Choose Suitable Wire Gauge: According to the table (Column 30W & Row 45ft), it's recommended to use 18AWG or up wire between the transformer and LED light to eliminate voltage drop.

Note: This table is calculated based on the theoretical voltage drop formula. The wire quality, the LED light technology and environment conditions affect the result also. This table is only for reference.

LED Strip Light Comparison

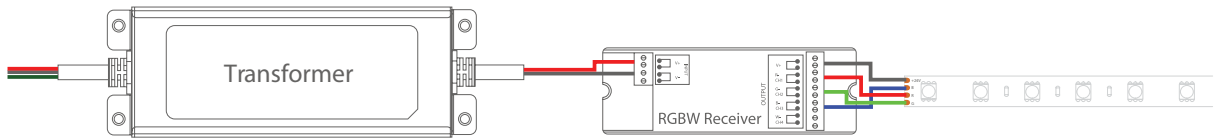
	Series	Features	Color	Input Voltage	Lumen Output	No Voltage Drop	Power
	RGB HIGH BRIGHT	12V/24V	RGB	24VDC	Up to 144 lm/ft	16.4ft Max	4.4W/ft
	RGB SUPER BRIGHT	Brightest High Density	RGB	24VDC	Up to 221 lm/ft	16.4ft Max	7W/ft
	RGBW	RGB with White	RGB+ 2900K ~ 3200K, RGB+ 6000K ~ 6500K	24VDC	Up to 295 lm/ft	16.4ft Max	7W/ft
	RGB DIGITAL	Color Chasing	RGB	12VDC	Up to 144 lm/ft	16.4ft Max	4.4W/ft

Recommended Transformer (Sold Separately)

LED Non-Dimmable Transformer



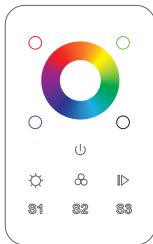
Model No.	Output Voltage	Wattage	Dimensions (L x W x H)	Certificates
APV-8W-24V	24V	8W	2.30x1.20x0.90in	CE, RU, Class 2
APV-35W-24V	24V	35W	3.30x2.20x1.20in	CE, RU, Class 2
XLG-150W-24V	24V	150W	5.51x2.48x1.26in	CE, RU
XLG-200W-24V	24V	200W	7.09x2.48x1.40in	CE, RU



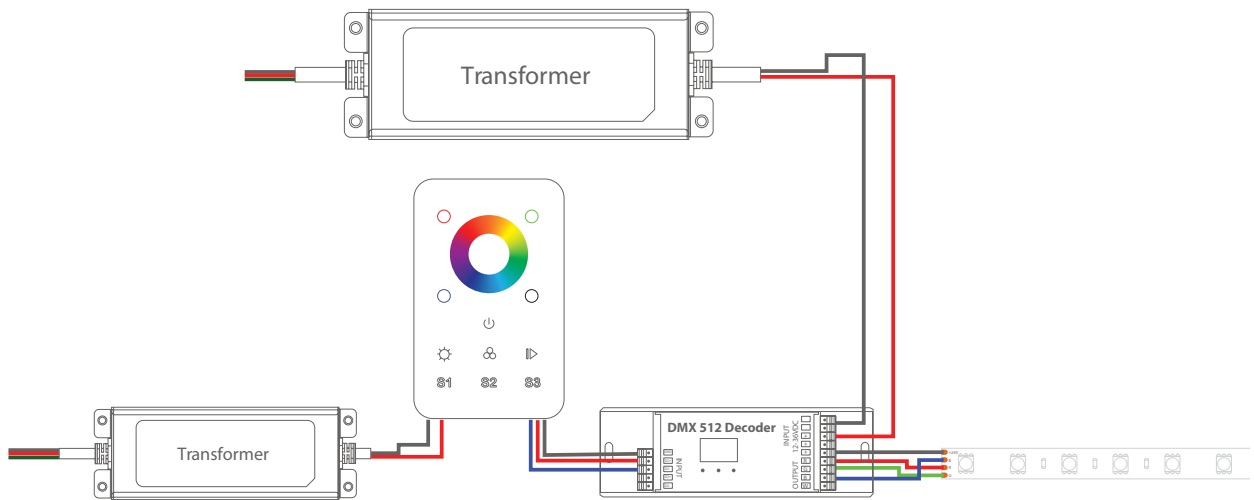
Non-Dimmable Transformer Wiring Diagram (with RGBW Receiver)

Recommended Controller (Sold Separately)

DMX RGBW Wall Mount Controller



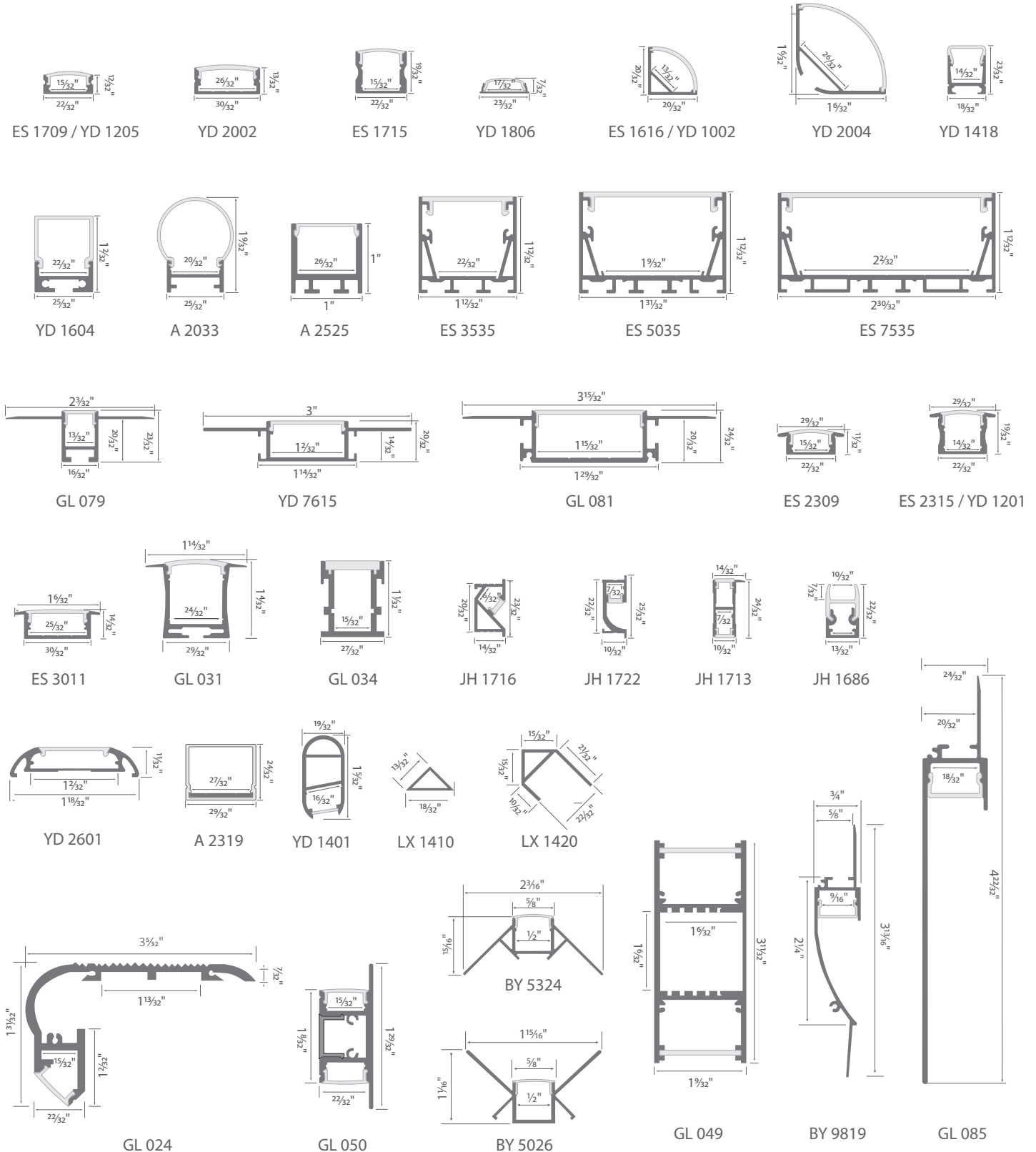
Model No.	Dimensions (L x W x H)	Certificates
DMX-RGB-WM-T-1Z-W	4.7x2.9x1.1in	TUV, CE, FC, ROHS
DMX-RGB-WM-T-3Z-W	4.7x2.9x1.1in	TUV, CE, FC, ROHS



Non-Dimmable Transformer Wiring Diagram (with DMX RGBW Wall Mount Controller)

*This diagram is for references only. Please see the DMX RGB Wall Mount Controller Specification for a more accurate diagram.

Aluminum Channel Options (Sold Separately)



GL LED US LIGHTING reserves the right to modify this specification without prior notices.