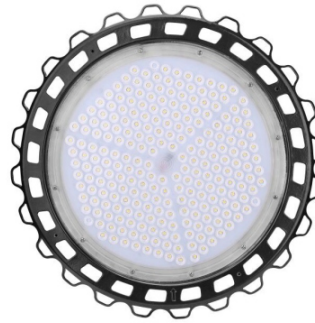


200W UFO LED High Bay Light



Features

- Lumileds LED, high luminous efficiency and long working life.
- High efficiency LED Driver, the wide range input voltage AC120-277V.
- Die Cast aluminium cooling design, high quality and better cooling for LED Tj < 85°C.
- Excellent Optics design, greatly improve the light utilization and evenness.
- Motion sensor Control Available (Option)

Product Applications

GL UFO LED High Bay Light series can be widely used in outdoor lighting(Wet location), Excellent for Museums, Art Galleries, Underground parking lot, Buildings, The lawn, Industrial areas, Residential areas, Sidewalks, Parking lot, Schools and etc, and many more applications.

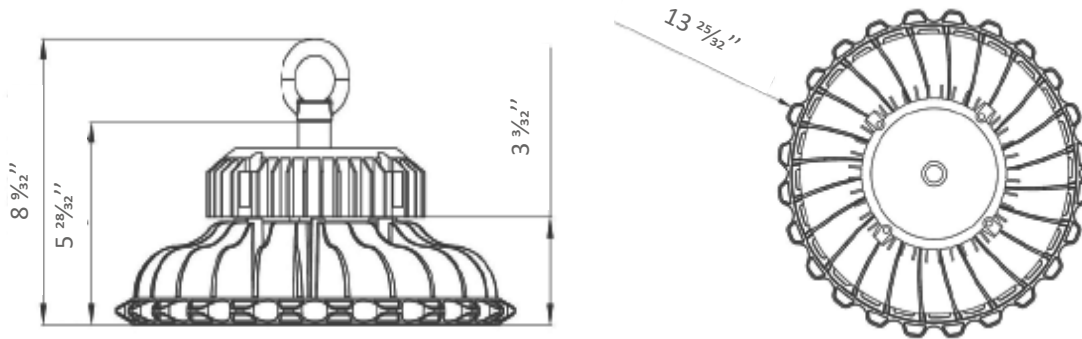


Specifications

Unit: inch

Structure Features

- Shell materials: Aluminum & PC.
- Finish: Black/White
- Net weight: 5.0Kg (11 lbs)
- Product Size: $\varnothing 13 \frac{25}{32}'' \times 8 \frac{9}{32}''$
- Carton Size: $17 \frac{23}{32}'' \times 17 \frac{23}{32}'' \times 8 \frac{15}{32}''$



Technical Parameters

Power	200W	Lighting Angle	92°
Input Voltage	AC120-277V	LED Brightness Decay	<5%/6000 hrs
PF	>0.95	Working Life	>50000 hrs
Driver Efficiency	>90%	Working Temperature	-30 - +45°C
Luminous Flux	27200 Lm	Storage Temperature	-40 -+80°C
Color Temperature	5000K	Cable	3 core, 18AWG(0.3m)
CRI	Ra>70	Color	Dark Bronze
Optional Dimming Function	1-10Vdc	Light Source	Lumileds
Protection Level	Wet Location/IP65	LED Driver	Novbo

Photometry

