

100W LED SHOEBOX LIGHT

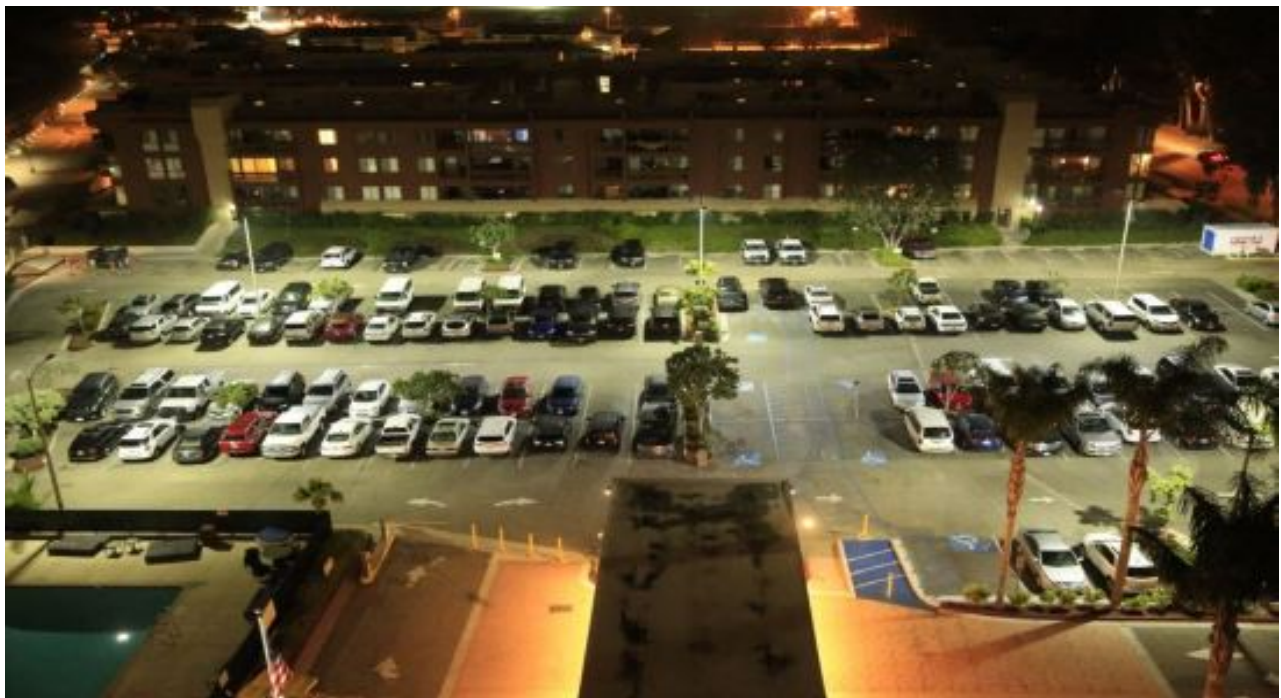


Features

- Lumileds LED, high luminous efficiency and long working life.
- High efficiency LED Driver, the wide range input voltage AC120-277V.
- Die Cast aluminium cooling design, high quality and better cooling for LED Tj < 85°C.
- Excellent Optics design, greatly improve the light utilization and evenness.
- Motion sensor Control Available (Option)

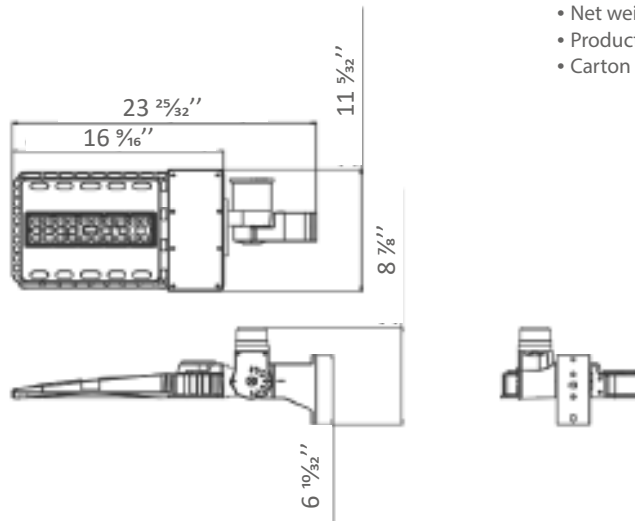
Product Applications

GL LED SHOEBOX LIGHT series can be widely used in outdoor lighting(Wet location), Excellent for Museums, Art Galleries, Underground parking lot, Buildings,The lawn, Industrial areas, Residential areas, Sidewalks, Parking lot, Schools and etc,and many more applications.



Specifications

Unit: inch



Structure Features

- Shell materials: Aluminum & PC.
- Finish: Dark Bronze/White
- Net weight: 4.5Kg (9.9 lbs)
- Product Size: 23 25/32" x 11 5/32" x 6 10/32"
- Carton Size: 22 7/16" x 13 25/32" x 5 29/32"

Technical Parameters

Power	100W	Lighting Angle	Type III
Input Voltage	AC120-277V	LED Brightness Decay	<5%/6000 hrs
PF	>0.95	Working Life	>50000 hrs
Driver Efficiency	>90%	Working Temperature	-30 - +45°C
Luminous Flux	13000 Lm	Storage Temperature	-40 -+80°C
Color Temperature	5000K	Cable	3 core, 18AWG
CRI	Ra>70	EPA	1.5FT ²
Optional Dimming Function	1-10Vdc	Light Source	Lumileds
Protection Level	Wet Location/IP66	LED Driver	Kerham

Photometry

