

BoatHaus

ASSEMBLY INSTRUCTIONS

ATTENTION!!!

**Any inquiry or replacement parts
you need, contact us directly at:**

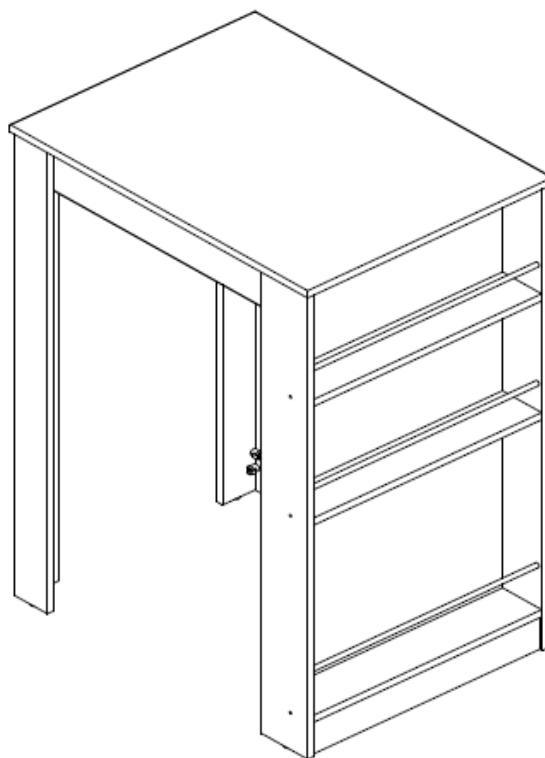
contact@boahaus.com

Scan this QR Code to chat to Customer Support Team.



Or Call Us at +1 (787) 688-1254

ASSEMBLY INSTRUCTIONS



MODEL #: 2106

BAR CABINET

Approx. product weight 50.71 lbs. / 23.00 Kg.*

*Weight may vary +/- 5%.

ADULT ASSEMBLY REQUIRED

PRODUCTION DATE: See package

THIS INSTRUCTION BOOKLET CONTAINS **IMPORTANT** SAFETY INFORMATION. PLEASE READ AND KEEP FOR FUTURE REFERENCE.

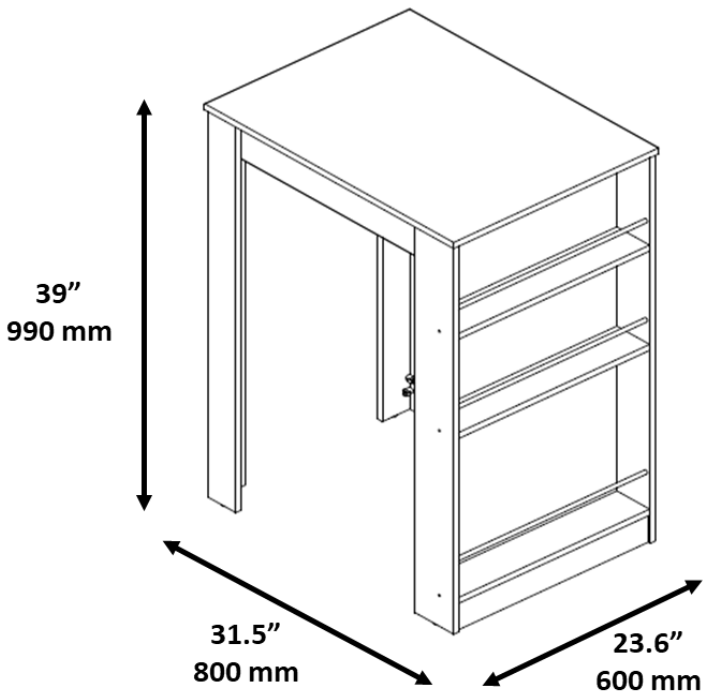
Need some Help? Call +1 (787) 688-1254 or email contact@boahaus.com

GENERAL SAFETY INFORMATION

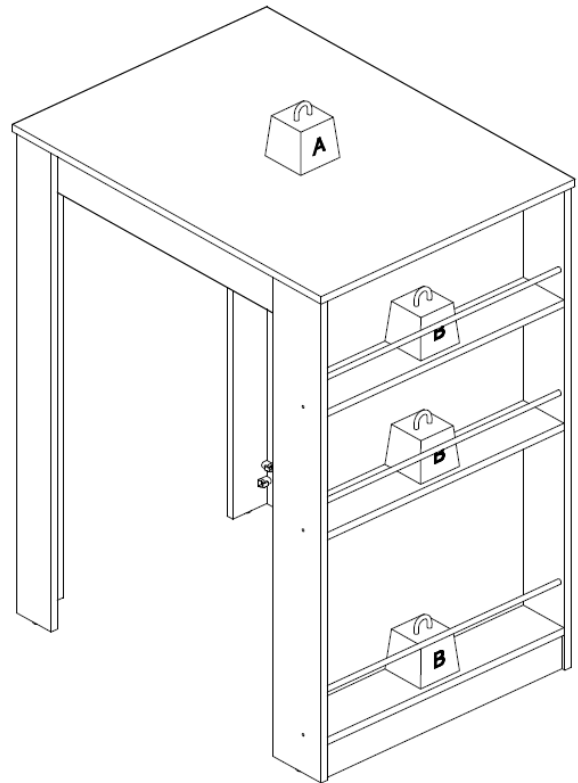
1. Please read the Assembly Instructions prior to assembling this product.
2. Remove all the hardware from the box and sort by type.
3. Check to see if all the hardware and parts are present BEFORE assembling.
4. To avoid damage, assemble the product on a sturdy, level and protective surface.
5. Please wait until all steps are completed before fully tightening bolts.
6. Make sure all bolts are tightly fastened before the unit is used.
7. To move the product, you must lift it. DO NOT drag it, if you drag it can cause overturning.



General Dimensions



Maximum weight supported



Note: weight must be evenly distributed.

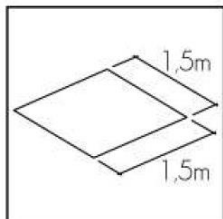
	KG	LB
A	15	33
B	2	4.4

You will need:

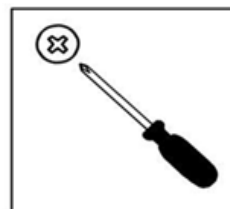
Tools not included



2 people



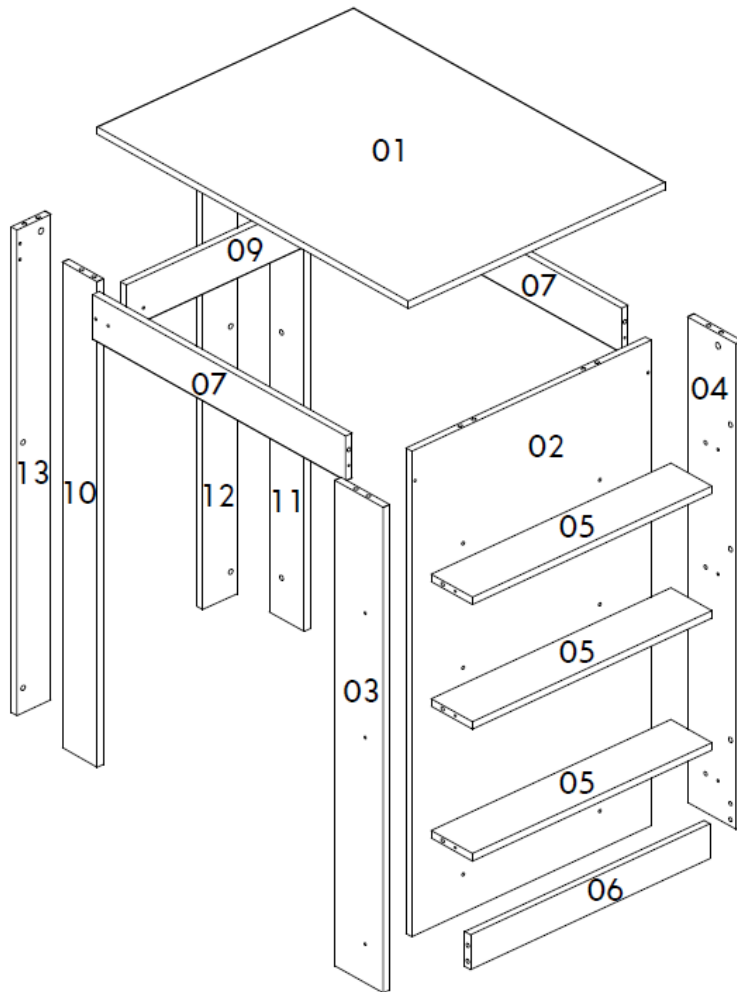
Recommended space for assemble



Note: Place a carpet or blanket in the assembly area to avoid damage to the parts during the process.

PARTS IDENTIFICATION



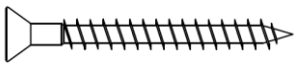
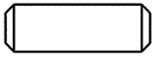
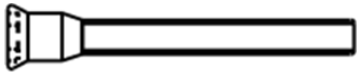


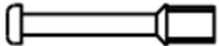


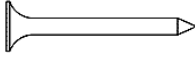


Nº	DESCRIPTION	QTY.	Weight lbs
1	Top base	1	12.17
2	Front table	1	13.84
3	Front left foot	1	3.09
4	Front right foot	1	3.09
5	Shelf	3	4.51
6	Plinth	1	0.99
7	Side crossbeam	2	2.97
9	Back crossbeam	1	1.21
10	Back left foot 1	1	2.22
11	Back right foot 1	1	2.22
12	Back right foot 2	1	1.98
13	Back left foot 2	1	1.98



Need some Help? Call +1 (787) 688-1254 or email contact@boahaus.com

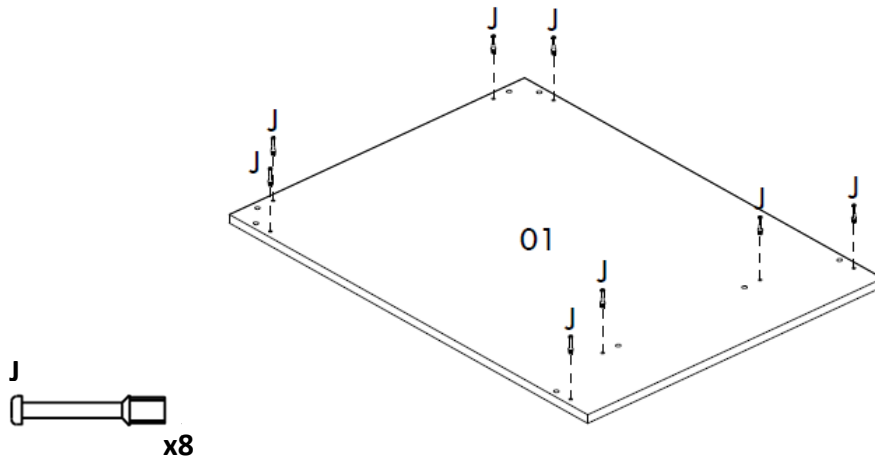
IDENTIFICATION OF ACCESSORIES

Note: the separation of the accessories before starting the assembly will facilitate it.

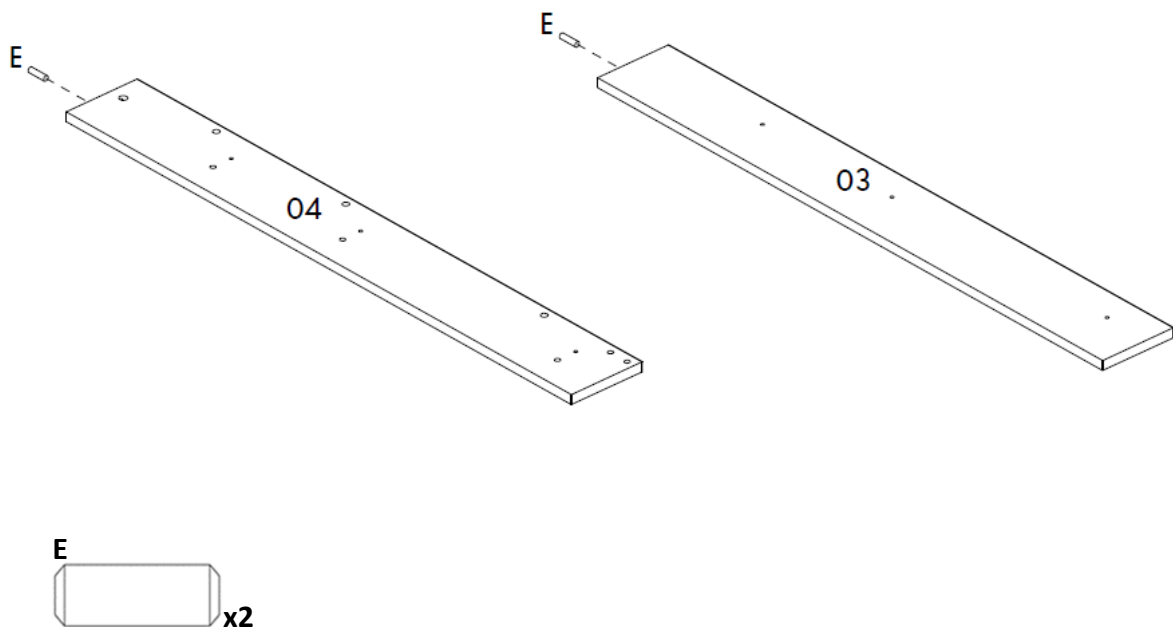
Name		DESCRIPTION	Qty.
A2		Small plastic foot	06
A3		Trapeze	08
D		Flat head screw (4 x 40 mm)	06
E		Wooden dowel (8 x 30mm)	20
G		Structural screw (5 x 50 mm)	14
H		Allen key	01
I		Structural screw cover	14
J		Simple minifix screw	08
L		Drum lock	08
M		Adhesive bore patch	02
N		Nail	06
P		Pan head screw (4.5 x 25mm)	12
R4		Laminated plump	03

PRE-ASSEMBLY

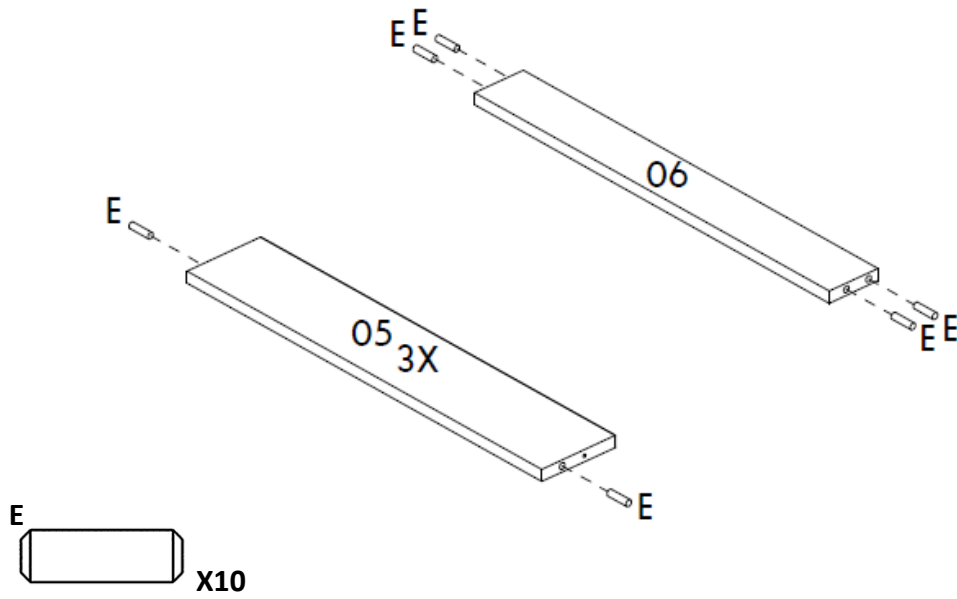
1. Fix *simple minifix screw* (J) to *top base* (01).



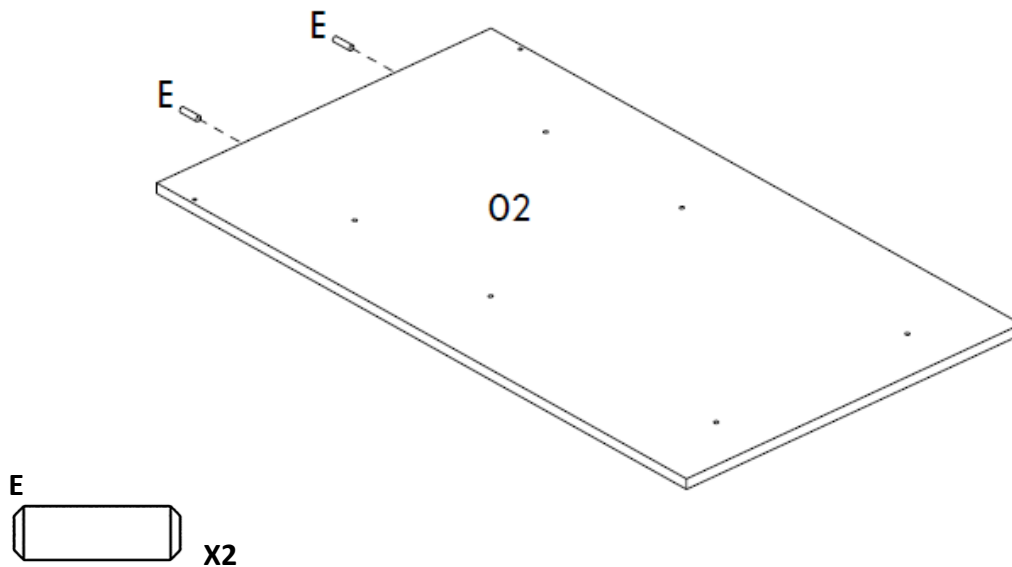
2. Fix *wooden dowel* (E) to *front left foot* (03) and *front right foot* (04).



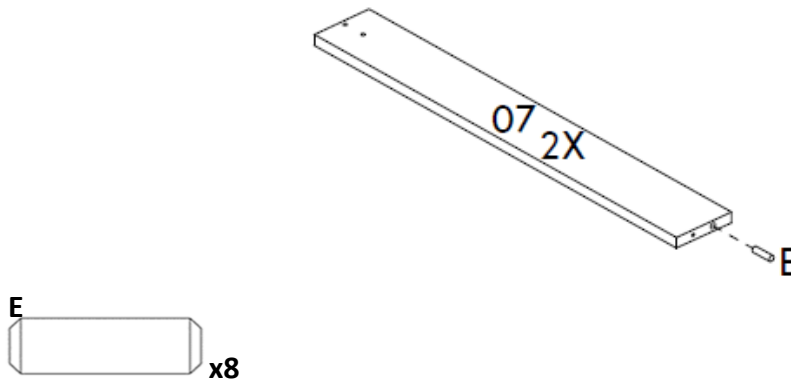
3. Fix **wooden dowel** (E) to **shelf** (05) x3 and **plinth** (06).



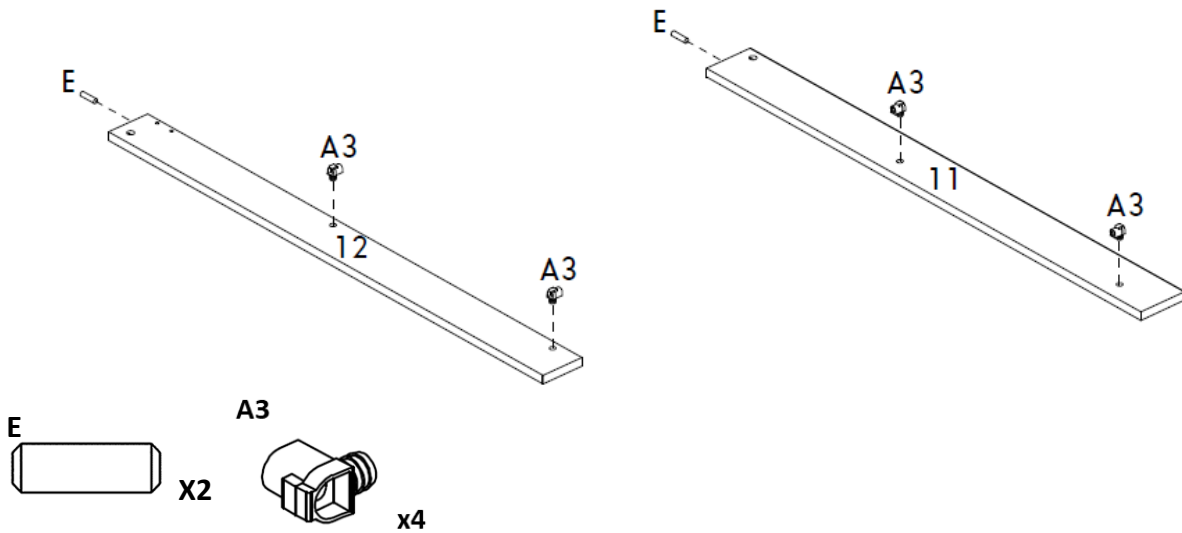
4. Fix **wooden dowel** (E) to **front table** (02).



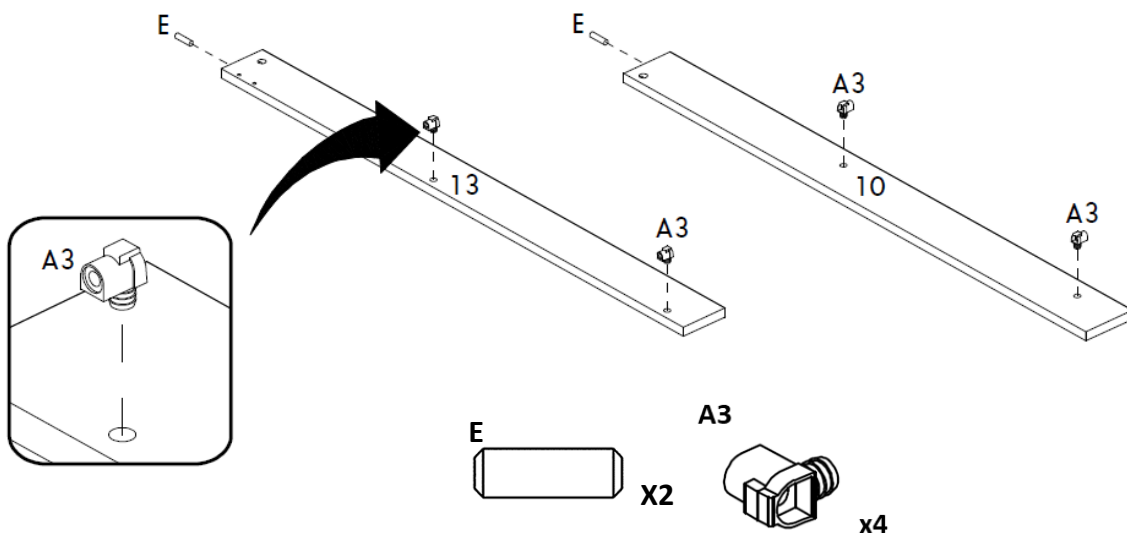
5. Fix **wooden dowel** (E) to **side crossbeam** (7) x2.



6. Fix **trapeze** (A3) and **wooden dowel** (E) to **back right foot 1** (11) and **back right foot 2** (12)



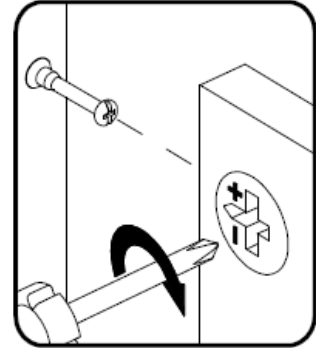
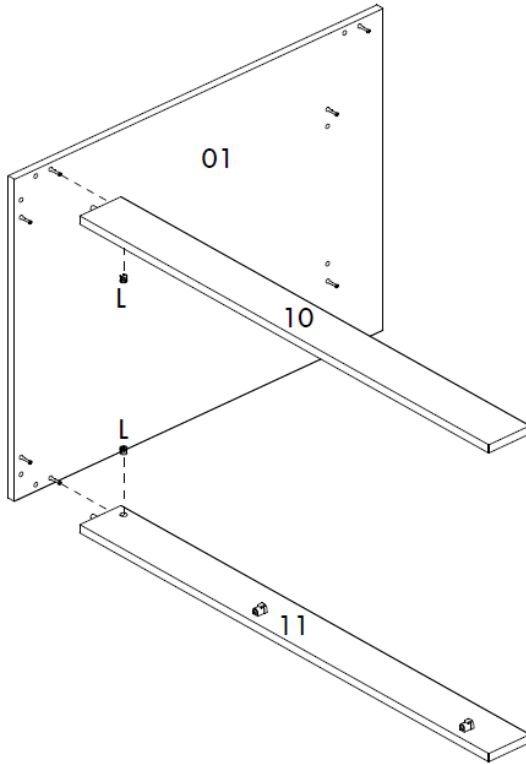
7. Fix **trapeze** (A3) and **wooden dowel** (E) to **back left foot 1** (10) and **back left foot 2** (13)



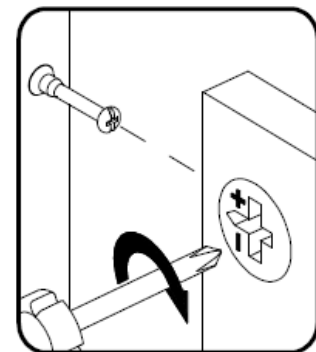
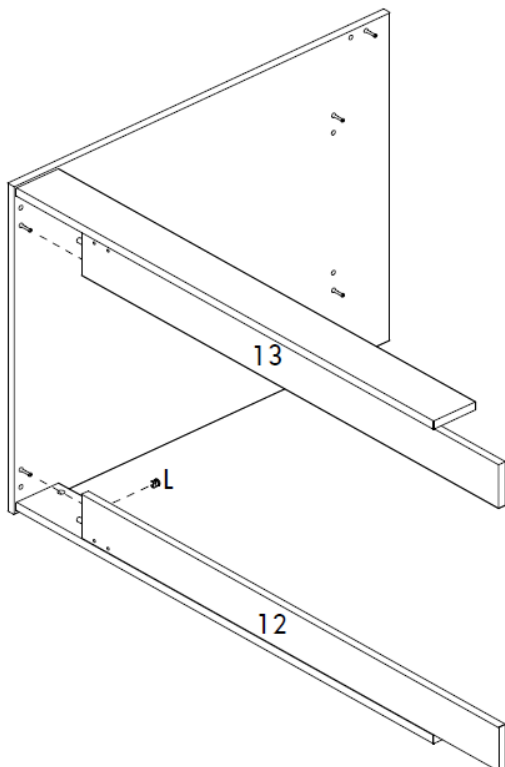
Need some Help? Call +1 (787) 688-1254 or email contact@boahaus.com

ASSEMBLY

8. Fix **back left foot 1** (10) and **back right foot 1** (11) to **top base** (1).

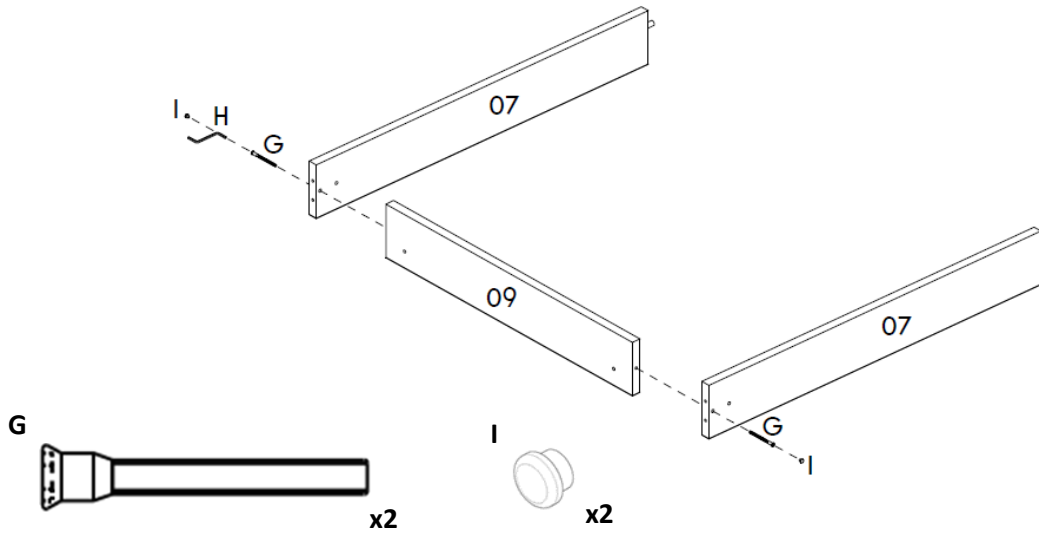


9. Fix **back left foot 2** (13) and **back right foot 2** (12) to previous assembly.



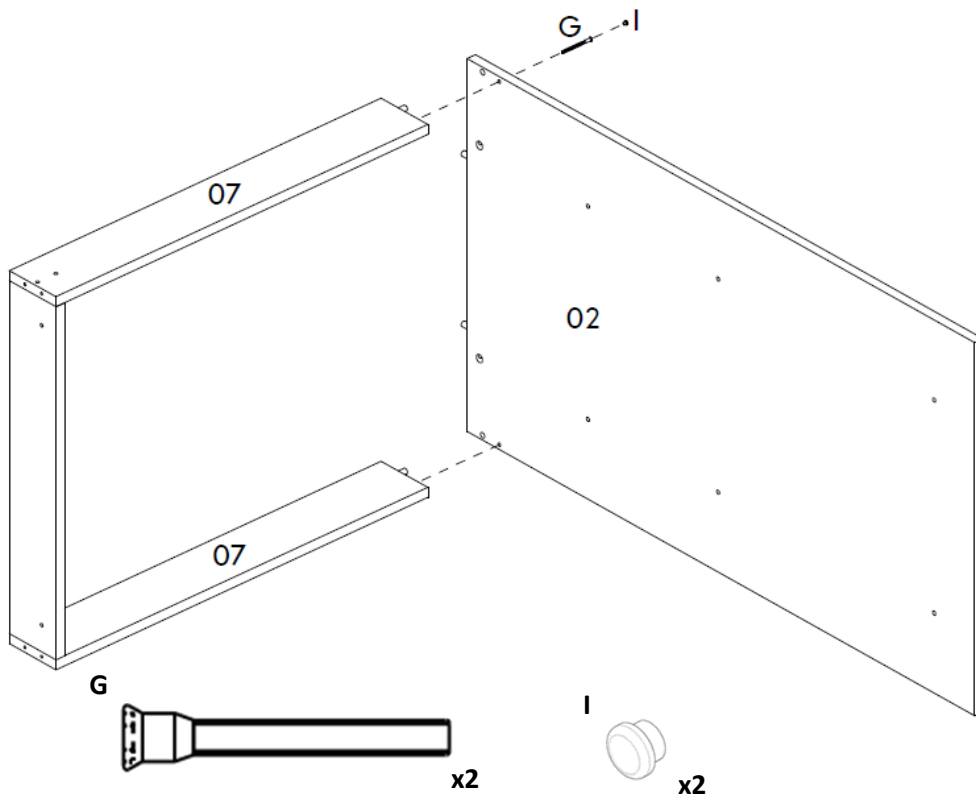
Need some Help? Call +1 (787) 688-1254 or email contact@boahaus.com

10. Fix *side crossbeam* (07)x2 to *back crossbeam* (09).



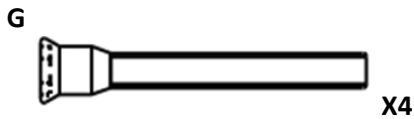
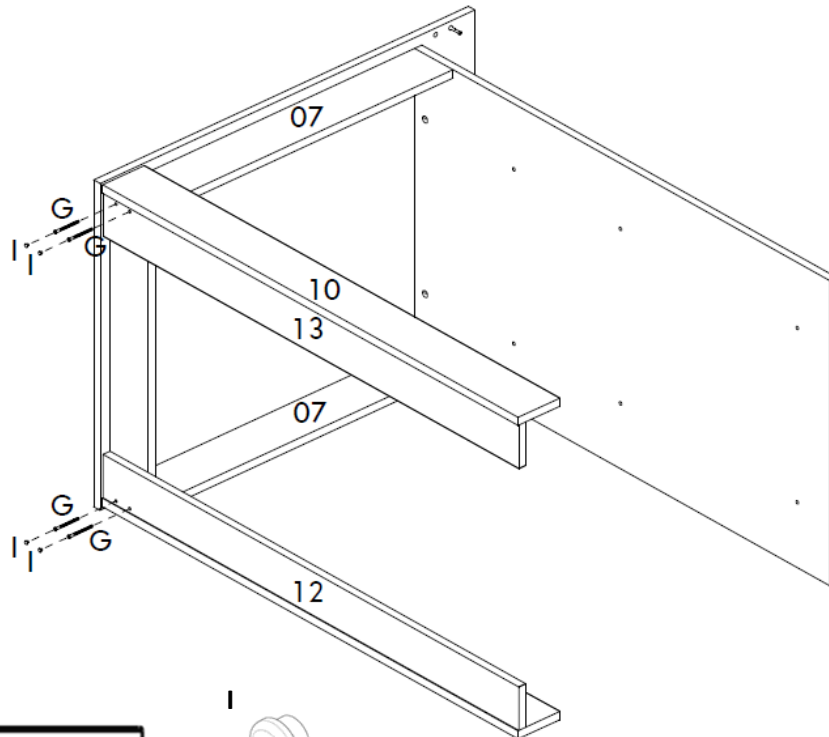
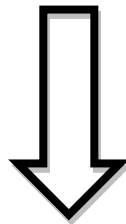
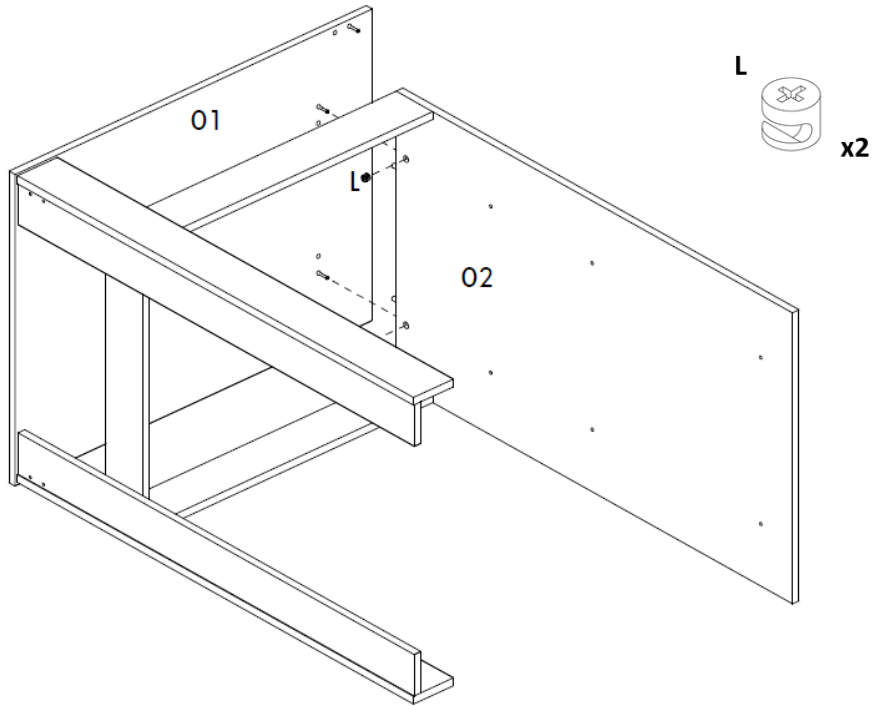
Note: use the allen key (H) to adjust the structural screws (G).

11. Fix previous assembly to *front table* (2).



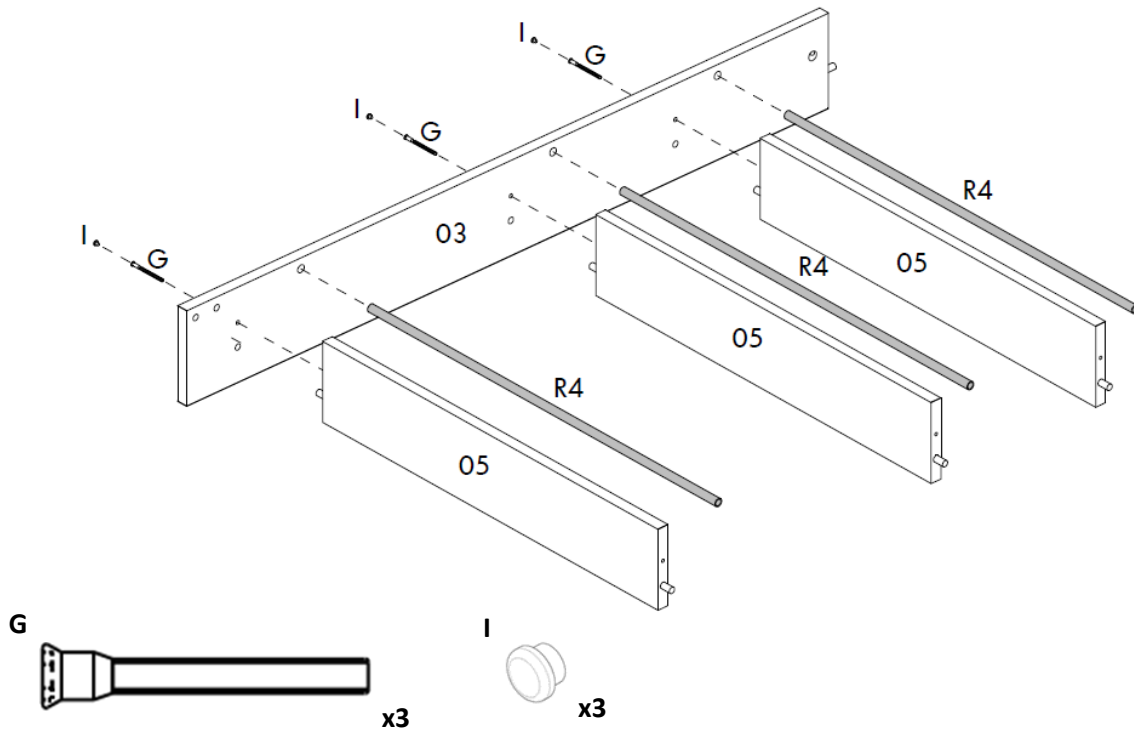
Note: use the allen key (H) to adjust the structural screws (G).

12. Join step 9 and step 11.

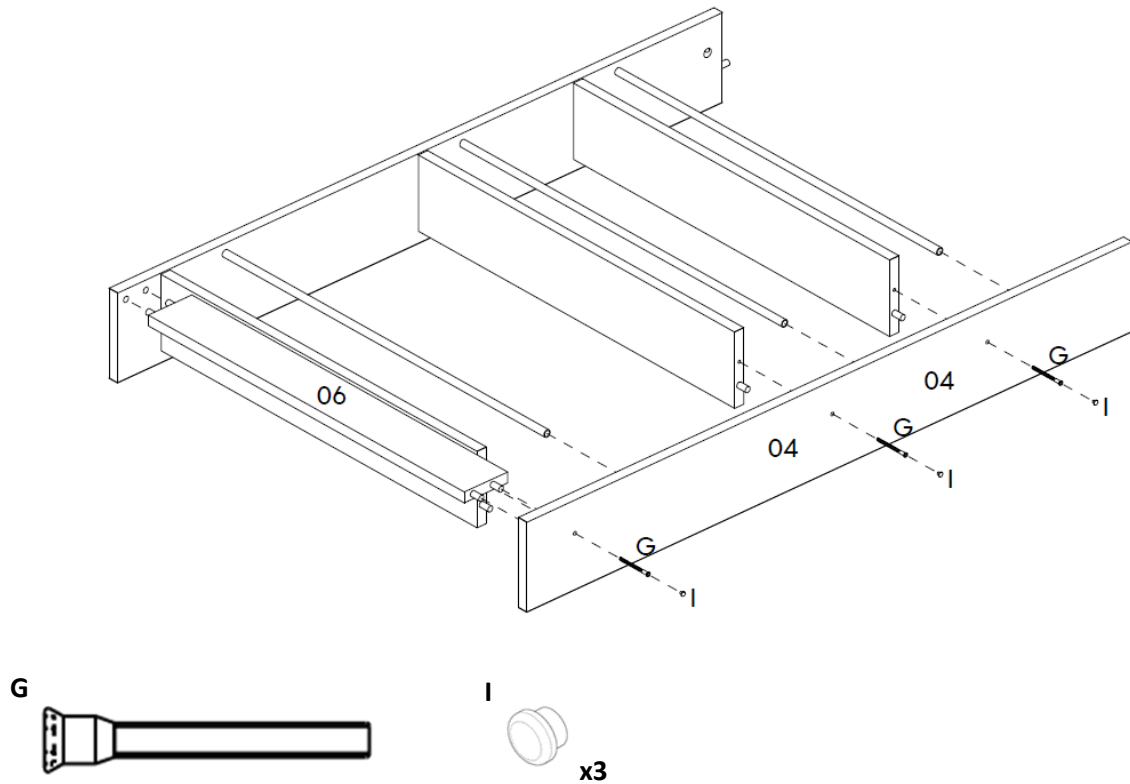


Need some Help? Call +1 (787) 688-1254 or email contact@boahaus.com

13. Fix *shelf* (05) x3 and *laminated plump* (R4) to *front left foot* (03)

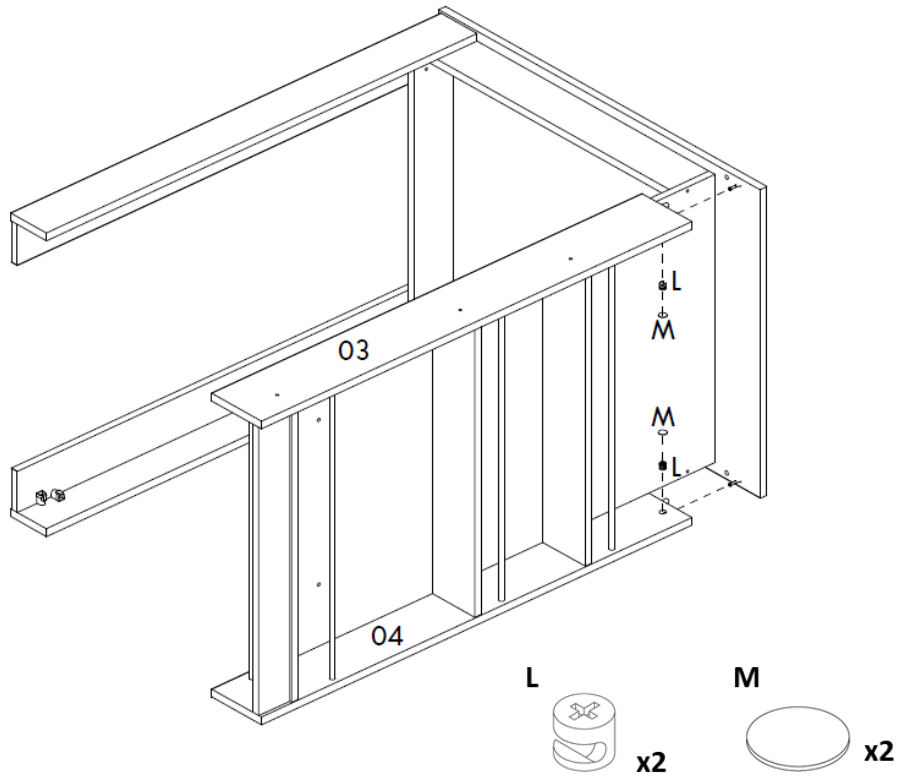


14. Fix *front right foot* (04) and *plinth* (06) to previous assembly.

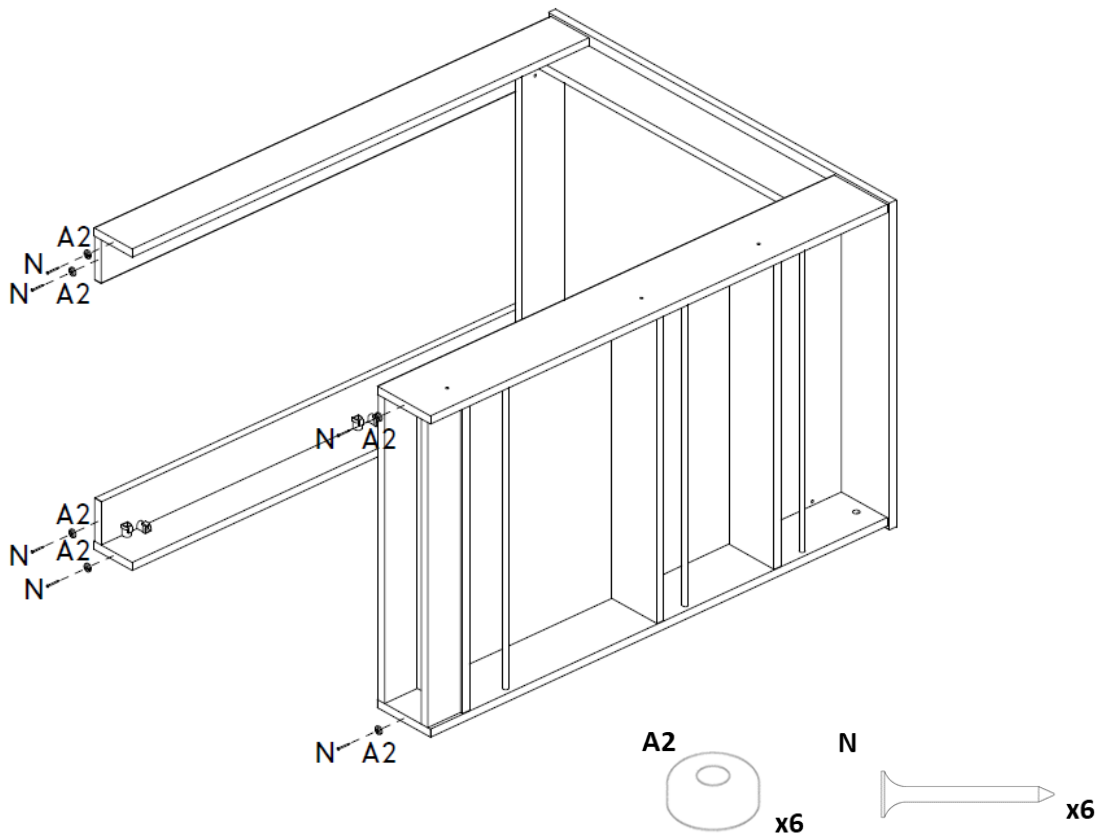


Need some Help? Call +1 (787) 688-1254 or email contact@boahaus.com

15. Join step 12 and step 14.

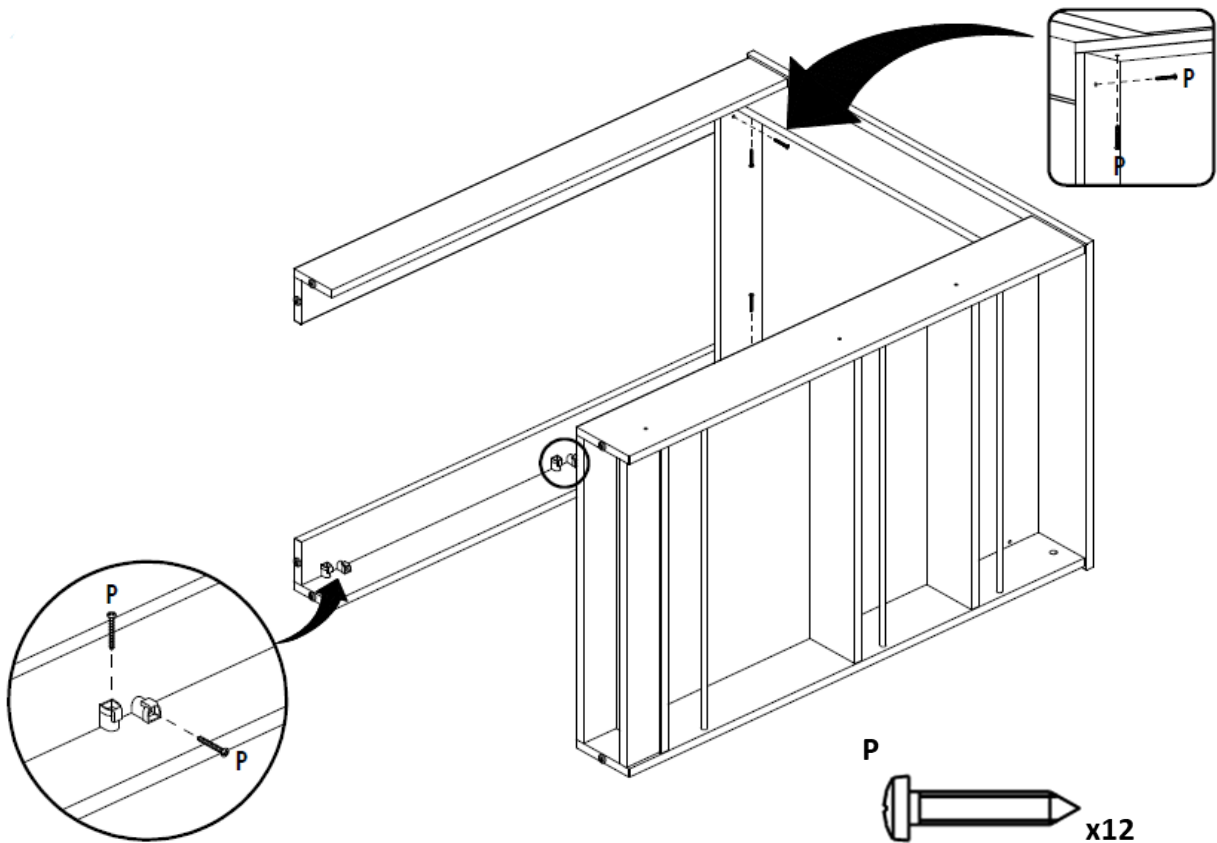


16. Fix *small plastic foot* (A2) to previous assembly.

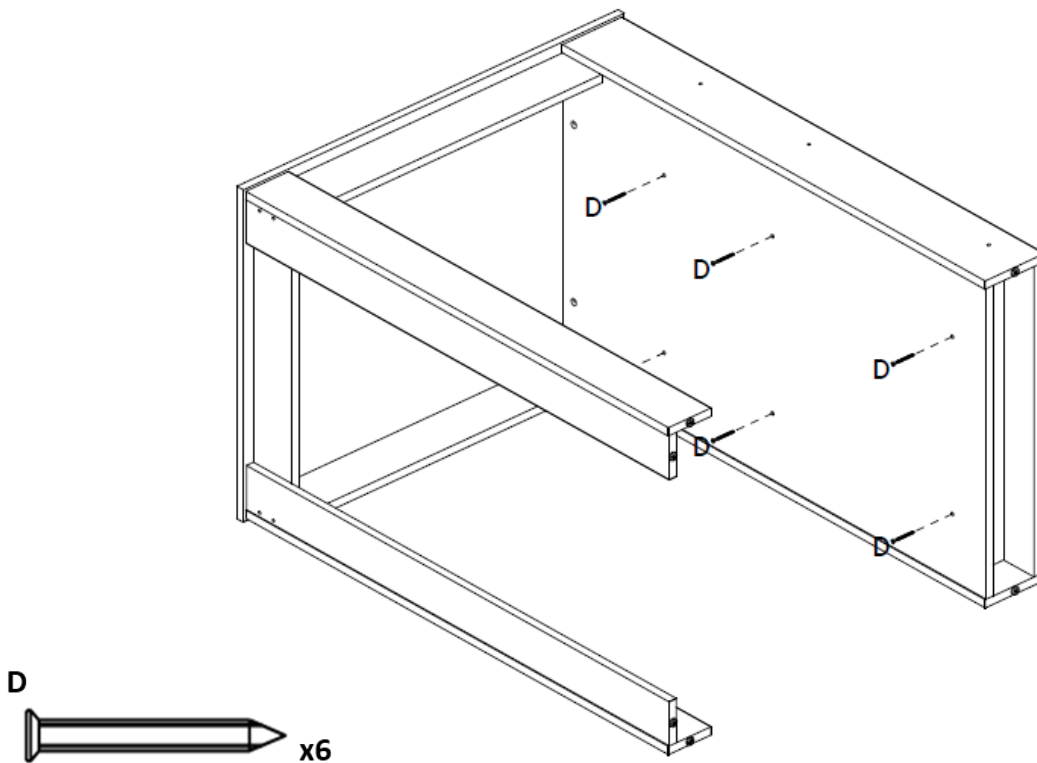


Need some Help? Call +1 (787) 688-1254 or email contact@boahaus.com

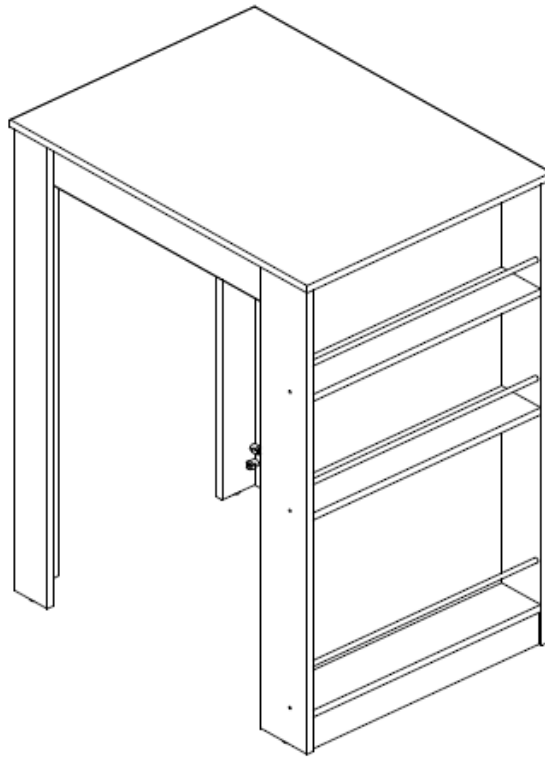
17. Screw *pan head screw* (P) to previous assembly.



18. Screw *flat head screw* (D) to previous assembly.



Need some Help? Call +1 (787) 688-1254 or email contact@boahaus.com



Congratulations, you have assembled your Bar Cabinet!!!

2106 Boahaus Bar Cabinet Warranty**6-Months Limited Warranty**

1. Boahaus, LLC provides limited warranty coverage to the original purchaser of this product for a period of six months from the date of purchase against defects in materials or workmanship of Boahaus furniture components. As used in this Warranty, “defect” means imperfections in components which substantially impair the utility of the product. This Warranty gives you specific legal rights, and you may also have other rights which vary from state to state.
2. There is no warranty coverage for defects or conditions that result from the failure to follow product assembly instructions, information or warnings, misuse or abuse, intentional damage, fire, flood, alteration or modification of the product, or use of the product in a manner inconsistent with its intended use, nor any condition resulting from incorrect or inadequate maintenance, cleaning, or care. There is also no warranty coverage for rented products or any products purchased “used” or “as is”, at a distress or going-out-of business sale, or from a liquidator.
3. As the exclusive remedy under this Warranty, Boahaus will (at its sole option) repair, replace or refund the value of any defective furniture component. Boahaus may require independent confirmation of the claimed defect and proof of purchase. Replacement parts will be warranted for only the remaining period of the original Warranty. BOAHAUS SHALL HAVE NO LIABILITY for ANY INCIDENTAL OR CONSEQUENTIAL DAMAGES OF ANY KIND and all such damages are EXCLUDED FROM THIS WARRANTY, such as loss of use, disassembly, transportation, labor or damage to property on or near the product. Some states do not allow the exclusion or limitation of incidental or consequential damages, so the above limitation or exclusion may not apply to you.
4. This Warranty applies only to warranted defects that first arise and are reported to Boahaus within the warranty coverage period. The Warranty cannot be transferred to subsequent owners or users of the product, and it shall be immediately void in the event the product is resold, transferred, leased or rented to any third party or person other than the original purchaser.
5. THERE ARE NO OTHER WARRANTIES APPLICABLE TO THIS PRODUCT. Under the laws of certain states, there may be no implied warranties from Boahaus and all implied warranties, INCLUDING ANY IMPLIED WARRANTY OF MERCHANTABILITY OR FITNEG FOR A PARTICULAR PURPOSE are disclaimed where allowed by law. TO THE EXTENT ANY IMPLIED WARRANTIES ARE APPLICABLE, ANY IMPLIED WARRANTIES, INCLUDING ANY IMPLIED WARRANTY OF MERCHANTABILITY OR FITNEG FOR A PARTICULAR PURPOSE, ARE LIMITED IN DURATION TO THE DURATION OF THIS EXPREG WARRANTY or the minimum period allowed by law,

whichever is shorter. Some states do not allow limitations on how long an implied Warranty lasts, so the above limitation may not apply to you.

6. For Warranty inquiries, questions about disposition or claims, please visit our website www.boahaus.com. You can also contact Boahaus at +1 **(787) 688-1254** or email at administracion@boahaus.com. Boahaus may require Warranty claims to be submitted in writing to:

Boahaus LLC.

1250-1252

Ave. Franklin Delano Roosevelt,

San Juan, PR 00926.

Please include your sales receipt or other proof of purchase and a specific description of the product defect.

