

boahaus

ASSEMBLY INSTRUCTIONS

ATTENTION!!!

Any inquiry or replacement parts you need, contact us directly at:

contact@boahaus.com

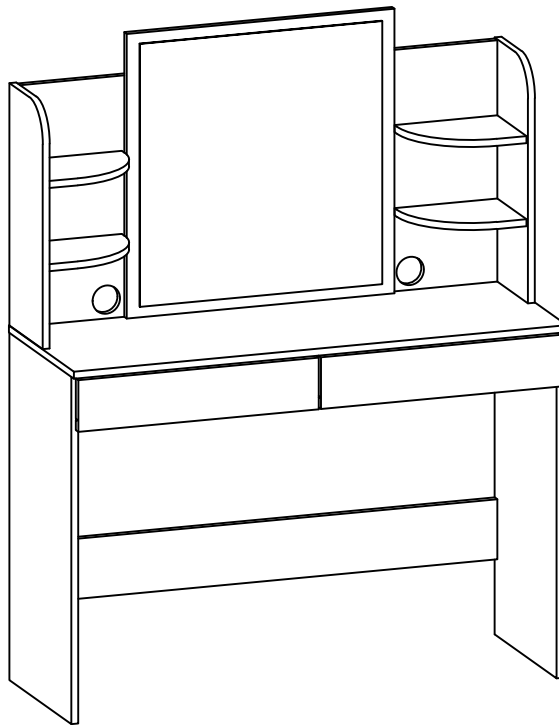
Scan this QR Code to chat to Customer Support Team.



Or Call Us at +1 (787) 688-1254

boahaus

ASSEMBLY INSTRUCTIONS INSTRUCCIONES DE ARMADO



MODEL #: 1636

TV STAND

Aprox. product weight 67,02 lbs. / 30,4 Kg.

**Weight may vary +/- 5%.

Lot: See package

Production date: See package

Purchase date: _____

THIS INFORMATION BOOKLET CONTAINS IMPORTANT SAFETY INFORMATION. PLEASE READ AND KEEP FOR FUTURE REFERENCE.
ESTE FOLLETO CONTIENE INFORMACIÓN DE SEGURIDAD IMPORTANTE. POR FAVOR, LEA Y GUÁRDELO PARA REFERENCIA FUTURA.

Need some Help? Call +1 (787) 688-1254 or email contact@boahaus.com
¿Necesitas ayuda? Llama +1 (787) 688-1254 o envía un email contact@boahaus.com

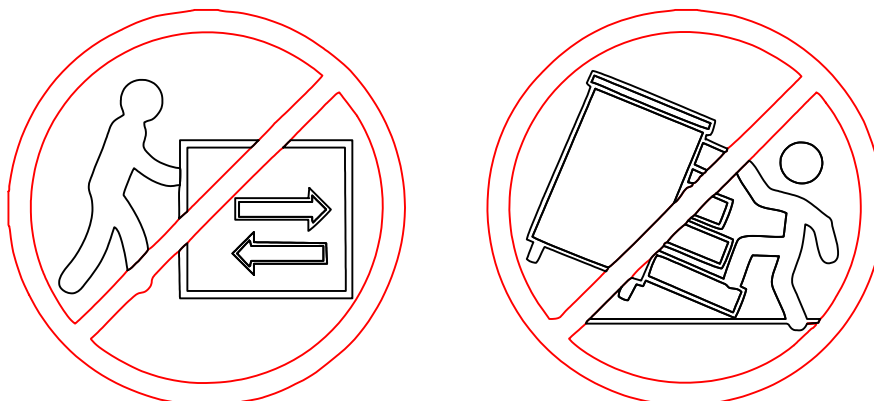
Need some Help? Call +1 (787) 688-1254 or email contact@boahaus.com
¿Necesitas ayuda? Llama +1 (787) 688-1254 o envía un email contact@boahaus.com

GENERAL SAFETY INFORMATION

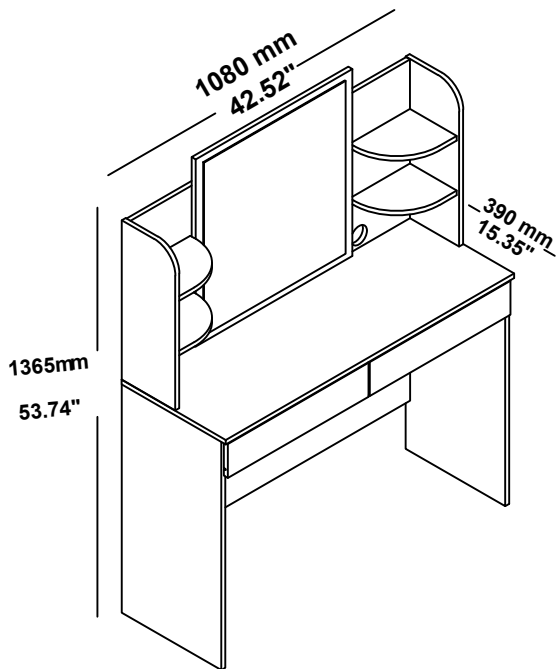
1. Please read the Assembly Instructions prior to assembling this product.
 2. Remove all the hardware from the box and sort by type.
 3. Check to see that all the hardware and parts are present BEFORE assembling.
 4. To avoid damage, assemble the product on a sturdy, level, and protective surface.
 5. Please wait until all steps are completed before fully tightening bolts.
 6. Make sure all bolts are tightly fastened before the unit is used.
 7. To move the product, you must lift it. DO NOT drag it, if you drag it can cause overturning.
- 8. This product is sold with a hardware kit to be fixed on the wall. You must install this kit to prevent any accidents or damages. When properly installed, this restrain can provide protection against the unexpected tipping of the unit due to small tremors, bumps or climbing. The restrain is only a deterrent and is not a substitute for proper adult supervision. Use of tip-over restraints may only reduce, but not eliminate, the risk of tip-over**

INFORMACIÓN GENERAL DE SEGURIDAD

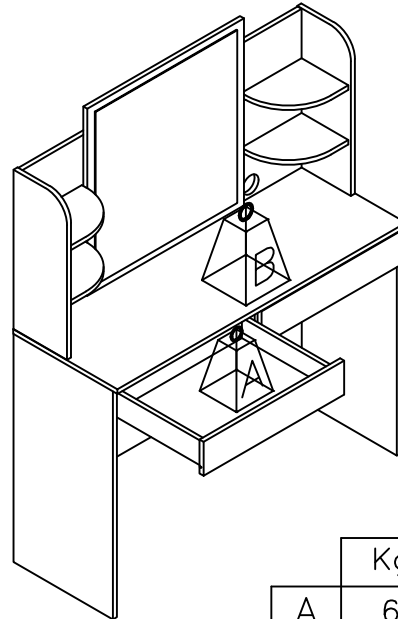
1. Lea las instrucciones de armado antes de ensamblar este producto.
 2. Extraiga todo el hardware de la caja y ordene por tipo.
 3. Verifique que todo el hardware y las piezas están presentes ANTES de ensamblar.
 4. Para evitar daños, ensamble el producto sobre una superficie resistente, nivelada y con protección.
 5. Espere hasta que todos los pasos se hayan completado antes de apretar completamente los tornillos y accesorios.
 6. Asegúrese de que todos los tornillos y accesorios estén bien apretados antes de usar la unidad.
 7. Para mover el producto debe levantarlo. NO lo arrastre, si lo arrastra puede causar volcamiento.
- 8. Este producto se vende con un kit de accesorios para ser fijado en la pared. Debe instalar este kit para evitar accidentes o daños. Cuando se instala correctamente, esta restricción puede proporcionar protección contra la inclinación inesperada de la unidad debido a temblores pequeños, golpes o al treparse. La restricción es solo un elemento disuasivo y no es un sustituto de la supervisión adecuada de un adulto. El uso de restricciones de vuelco solo puede reducir, pero no eliminar, el riesgo de volcarse.**



General Dimensions / Dimensiones Generales



Maximum weight supported / Peso máximo soportado



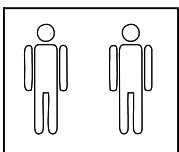
	Kg	lb
A	6	11.02lb
B	23	50.71lb

Weight in pounds. / Peso en libras.

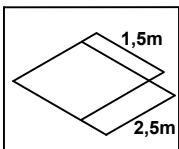
Note: weight must be evenly distributed.
Nota: el peso debe estar distribuido uniformemente.

You will need / usted necesitará:

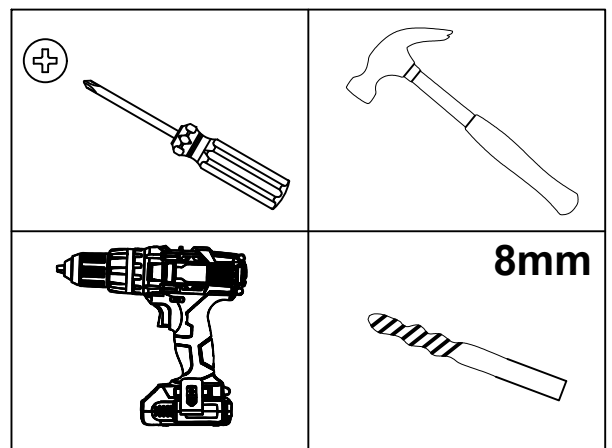
Tools not included / herramientas no incluidas



2 people
2 personas



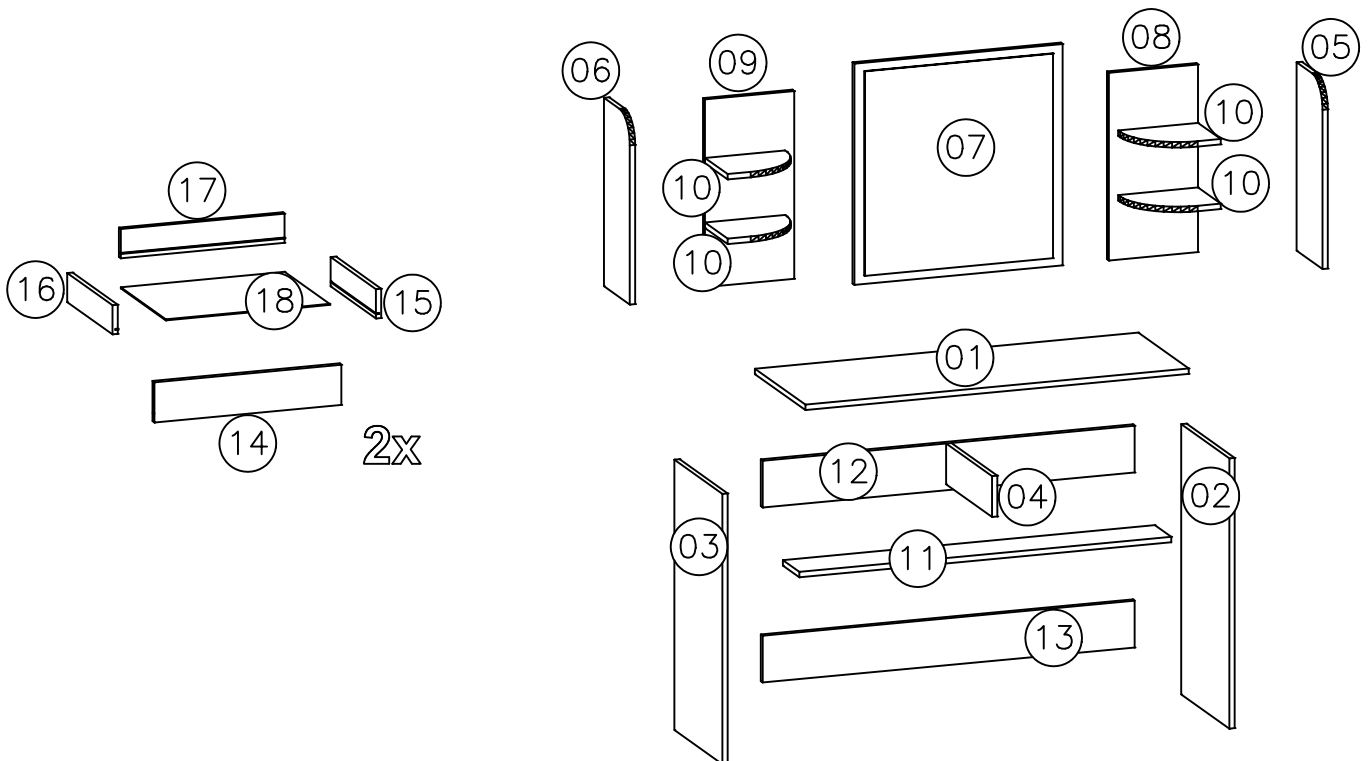
Recommended space for assemble
Espacio recomendado para el armado



Note: Place a carpet or blanket in the assembly area to avoid damage to the parts during the process.
Nota: Colocar una alfombra o manta en el area de armado para evitar daños en las piezas durante el proceso.

PARTS IDENTIFICATION / IDENTIFICACION DE PARTES


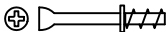

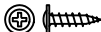
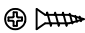
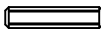

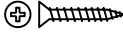

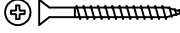
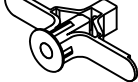
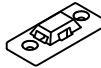

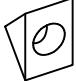
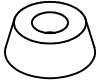
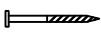
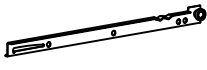
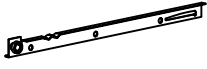







DESCRIPTION - DESCRIPCIÓN			QTY.	BOX
01	Top	Tapa	1	1
02	Right side	Lateral derecha	1	1
03	Left side	Lateral izquierda	1	1
04	Partition	Divisoria	1	2
05	Upper right side	Parte superior derecha	1	2
06	Upper left side	Parte superior izquierda	1	2
07	Mirror	Espejo	1	2
08	Upper right coast	Costa superior derecha	1	1
09	Upper left coast	Costa superior izquierda	1	1
10	Top shelf	Estante superior	4	1
11	Cross piece	Travessa	1	1
12	Top reinforcement	Refuerzo superior	1	1
13	Bottom reinforcement	Refuerzo inferior	1	1
14	Front of drawer	Frente de cajón	2	1
15	Right drawer side	Lateral de cajón derecha	2	1
16	Left drawer side	Lateral de cajón izquierda	2	1
17	Back drawer	Cabecera de cajón	2	2
18	Bottom drawer	Fondo de cajón	2	1



IDENTIFICATION OF ACCESSORIES / IDENTIFICACION DE ACCESORIOS

Note: the separation of the accessories before starting the assembly will facilitate it.

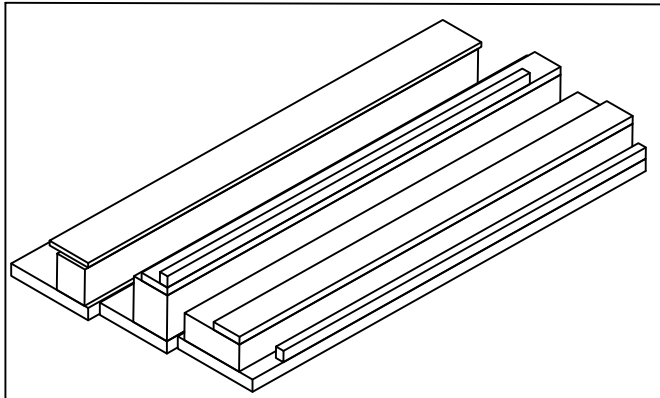
Nota: la separación de los accesorios antes de empezar el armado facilitará el mismo.

NUMBER	DESCRIPTION		QTY.
PE15		Structural screw/Tornillo estructural (5x50mm)	36
PM		Simple minifix screw/Tornillo minifix simple	10
TM		Drum lock/Tambor minifix	10
PF4		Flanged head screw/Tornillo cabeza flangeada (3,5x16mm)	2
PC3		Flat head screw/Tornillo cabeza plana (3,5x14mm)	16
C1		Wooden dowel/Pin (6x30mm)	36
C2		Cavilha/Tarugo/Dowel 6x50mm	2
PC4		Parafuso/ Tornillo/ Screw (3,5x25mm)	6
PC5		Flat head screw/Tornillo cabeza plana (4,0x20mm)	4
PC10		Flat head screw/Tornillo cabeza plana (4,5x50mm)	2
BG		Bushing/Tapón	2
SF		Mounting bracket/Soporte de montaje	2
ANY		Clamp/Abrazadera	1
S5		triangular support/soporte triangular	4
SD		Shoe black/Zapata negra	4
PR2		Nail/Clavo (12x12mm)	4
CM1A		Right Drawer slide/Corredera lateral derecha (350mm)	2
CM1B		Left Drawer slide/Corredera cajón izquierda (350mm)	
CM1C		Metallic left slide/Corredera lateral izquierda (350mm)	
CM1D		Metallic right slide/Corredera lateral derecha (350mm)	
TP1		Adhesive bore patch/Tapón adhesivo 19mm	4
TP2		Adhesive bore patch/Tapón adhesivo 13mm	20
CZ3		Allen key/Llave allen	1
V		Glass/Vidrio	1
PF		Crosswire/Wire crossing	2

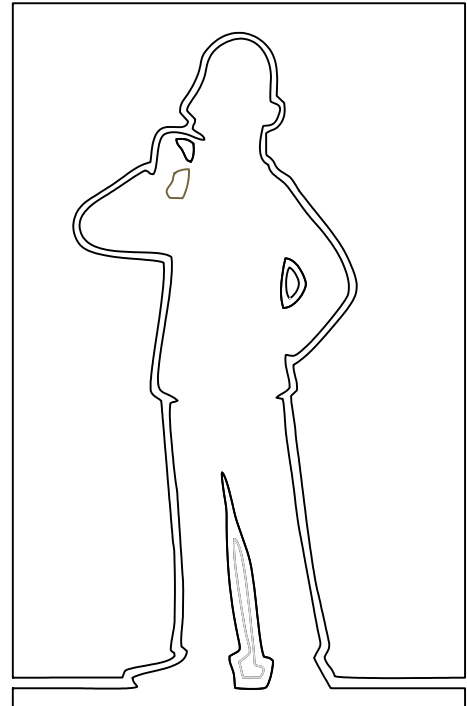


ATTENTION

To facilitate the assembly
process, separate and organize
all boards before you start.

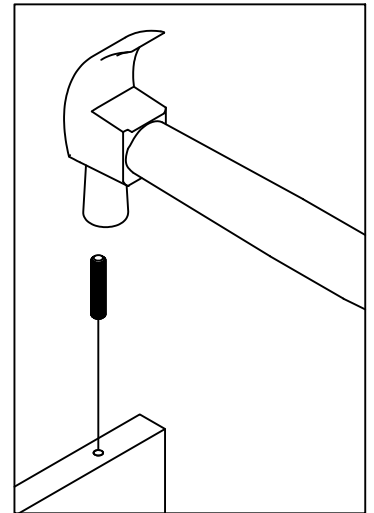
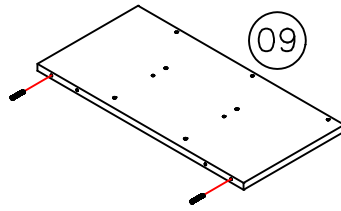
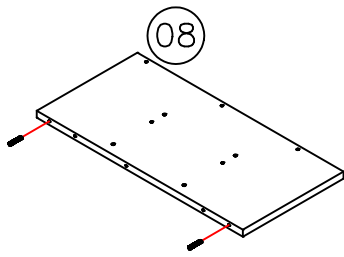


Para facilitar el armado,
separa y organiza todas las
tablas antes de empezar.



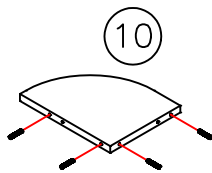
PRE-ASSEMBLY/PRE-ARMADO

01. Fix **wooden dowel** (C1) to **Upper right coast** (08) **Upper left coast** (09)
 Fijar **pin** (C1) a **Costa superior derecha** (08) **Costa superior izquierda** (09)



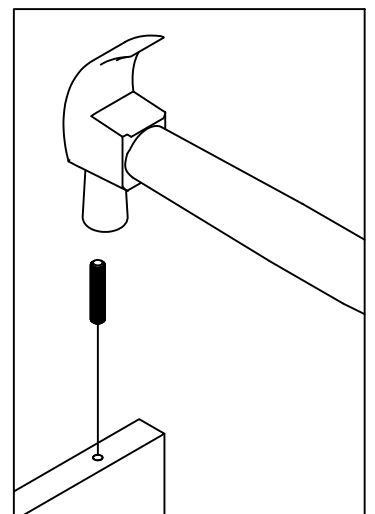
C1  4

02. Fix **wooden dowel** (C1) to **Top shelf** (10).
 Fijar **pin** (C1) a **Estante superior** (10).



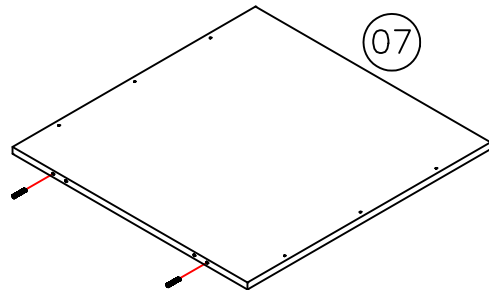
4x

C1  16

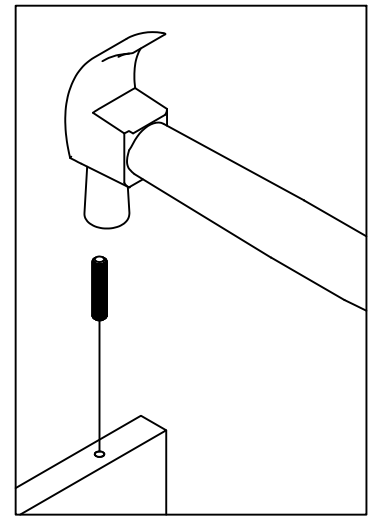


03. Fix **wooden dowel** (C1) to **Mirror** (07).

Fijar **pin** (C1) a **Espejo** (07).

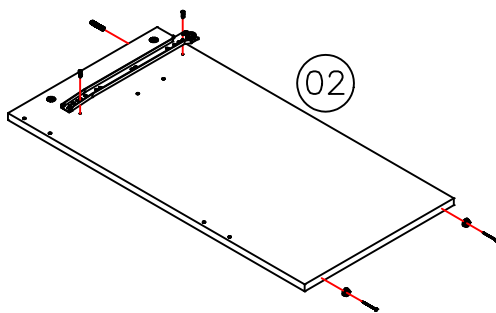


C1  2

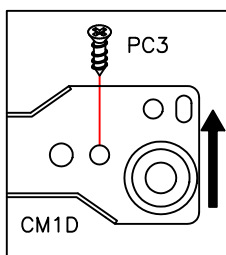
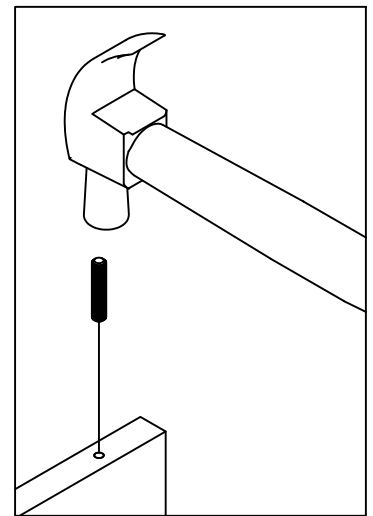


04. Fix the **wooden dowel** (C1) and the **small plastic foot** (SD) and the **metallic right slide** (CM1D) to the **right side** (02).

Fije **pin** (C1) y el **pie pequeño de plástico** (SD) y la **corredera metálica derecha** (CM1D) en el **lado derecho** (02).



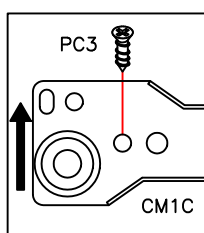
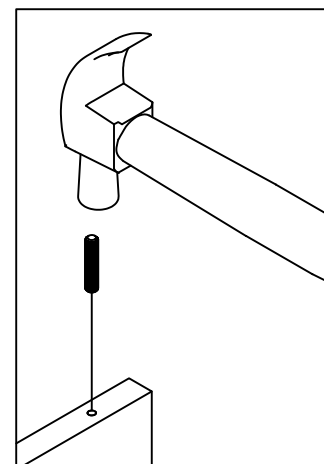
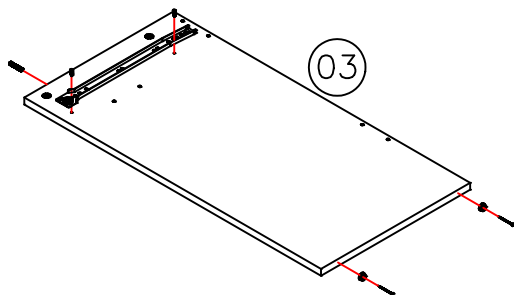
C1  1 CM1D  1 PC3  2 SD  2 PR2  2



Note: the two upper holes have to be facing up.
Nota: Los dos agujeros superiores deben estar hacia arriba.

05. Fix the **wooden dowel** (C1) and the **small plastic foot** (SD) and the **metallic left slide** (CM1C) to the **left side** (03).

Fije **pin** (C1) y el **pie pequeño de plástico** (SD) y la **corredera metálica izquierda** (CM1C) en el **lado izquierdo** (03).

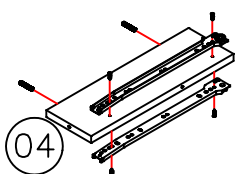


Note: the two upper holes have to be facing up.
Nota: Los dos agujeros superiores deben estar hacia arriba.

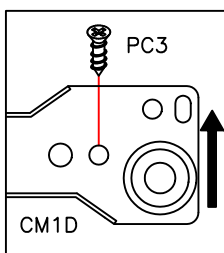
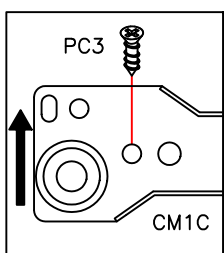
- C1  1
- CM1C  1
- PC3  2
- SD  2
- PR2  2

06. Fix the **wooden dowel** (C1), **metallic left slide** (CM1C) and **metallic right slide** (CM1D) to **Partition** (04).

Fije el **pin** (C1), la **corredera metálica izquierda** (CM1C) y la **corredera metálica derecha** (CM1D) al **Divisoria** (04).



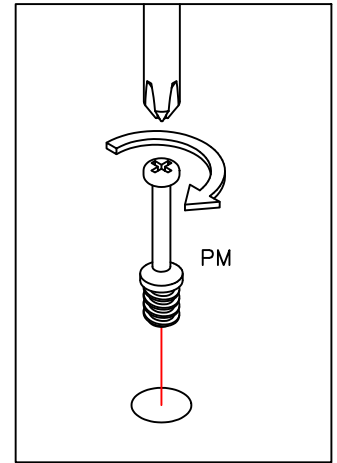
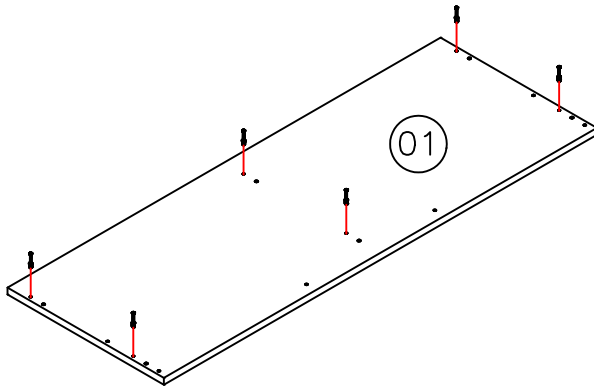
- CM1D  1
- CM1C  1
- C1  2
- PC3  4

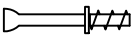


Note: the two upper holes have to be facing up.
Nota: Los dos agujeros superiores deben estar hacia arriba.

07. Fix **simple minifix screw** (PM) to **top** (01).

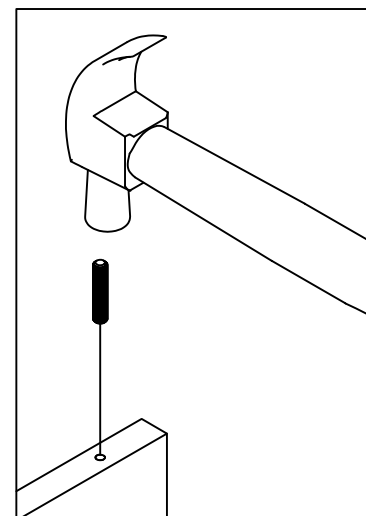
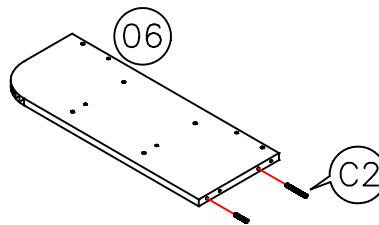
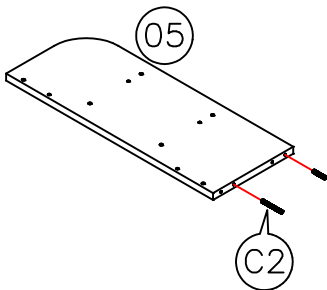
Fijar **pin** (C1) a **tornillo minifix simple** a **Tapa** (01).

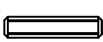


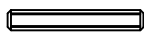
PM  6

08. Fix **wooden dowel** (C1) to **Upper right side** (05) and **Upper left side** (06).

Fijar **pin** (C1) a **Parte superior derecha** (05) y la parte **superior izquierda** (06).

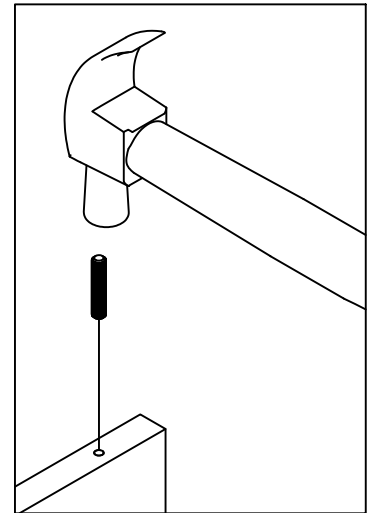
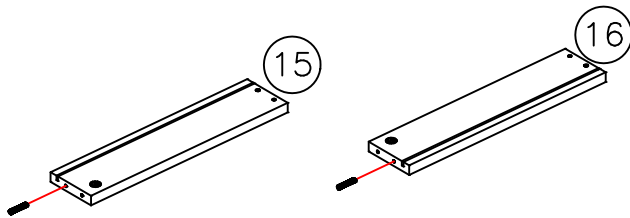


C1  2

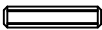
C2  2

09. Fix **wooden dowel** (C1) to **right side of drawer** (15). 2x
and **left side of drawer** (16). 2x

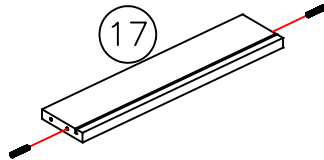
Fijar pin (C1) a **lateral derecha de cajón** (15). 2x y
lateral izquierda de cajón (16). 2x



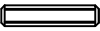
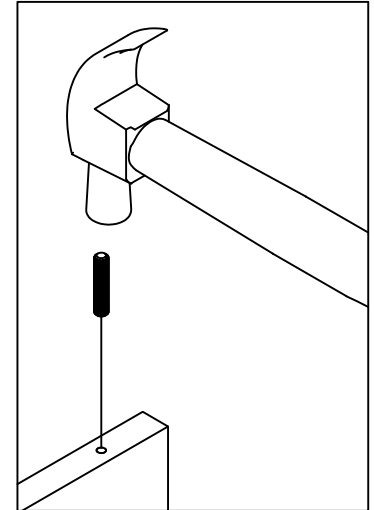
2x

C1  4

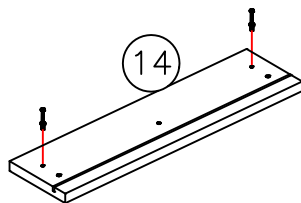
10. Fix **wooden dowel** (C1) to **rear of drawer** (17). 2x
 Fijar el **pin** (C1) en la parte **trasera del cajón** (17). 2x



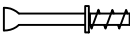
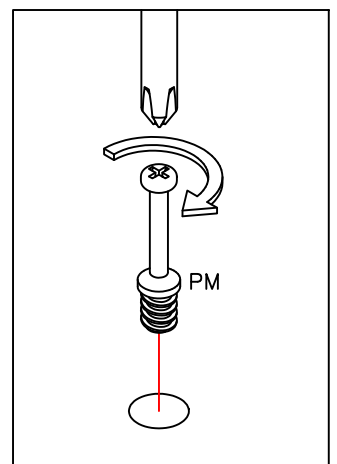
2x

C1  4

11. Fix **simple minifix screw** (PM) to **front drawer** (14).
 Fijar **tornillo minifix simple** (PM) a **frente de cajón** (14).



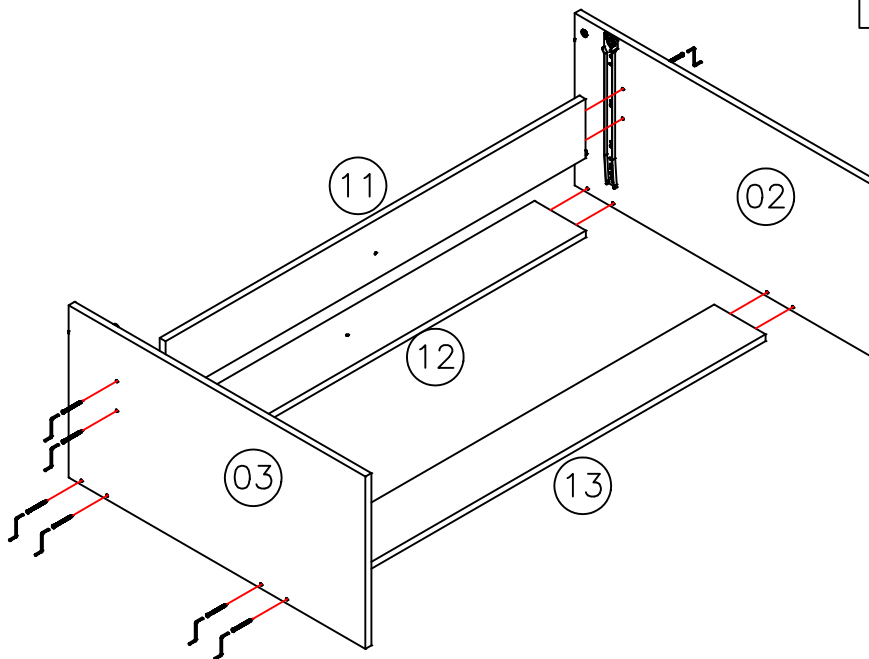
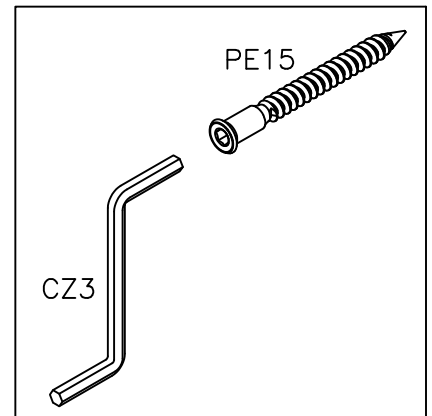
2x

PM  4

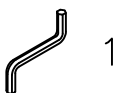
ASSEMBLY/ARMADO

12. Fix the *right side* and *left side* to the *crossbar* (11), *reinforcements* (12) (13).

Fijar el *lado derecho* e *lado izquierdo* al *travesaño* (11), *refuerzos* (12) (13).



CZ3



1

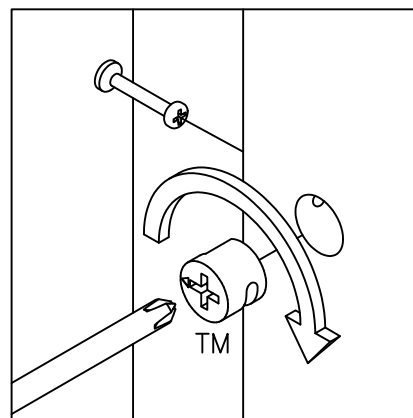
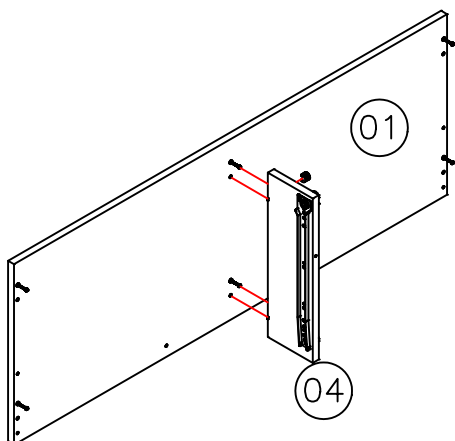
PE15  12

TP2



12

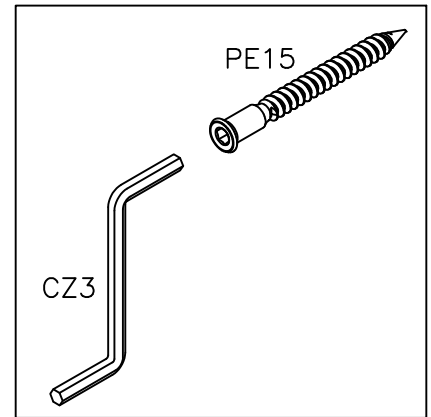
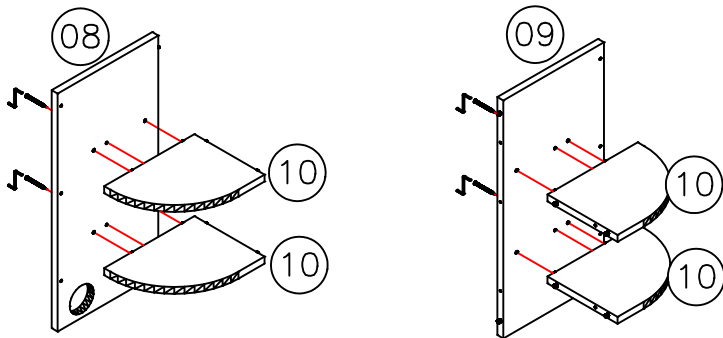
13. Fix the **partition** (04) to the **top** (01)
Fije el **divisoria** (04) y al **tapa** (01).



TM   2

14. Attach the **upper shelf** (10) and the **upper right side** (08) and the **upper left side** (09).

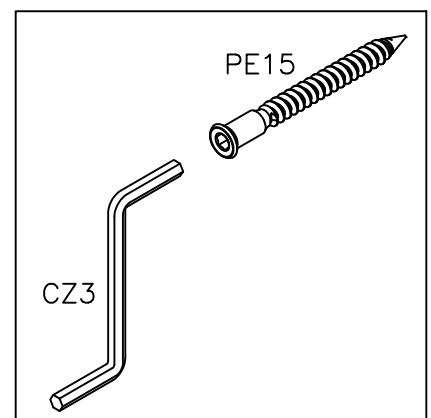
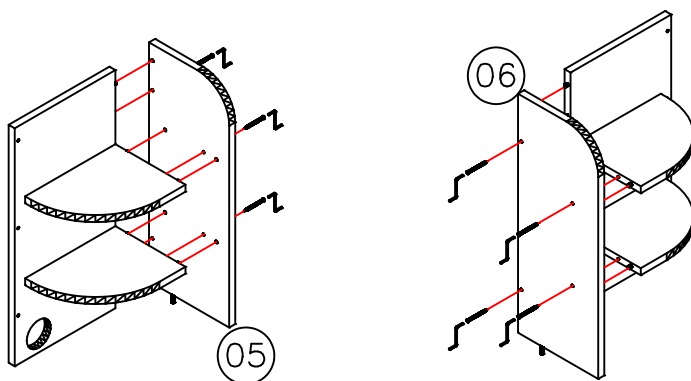
Fije el **estante superior** (10) y la **parte superior derecha** (08) y la **parte superior izquierda** (09).



CZ3  1 PE15  4

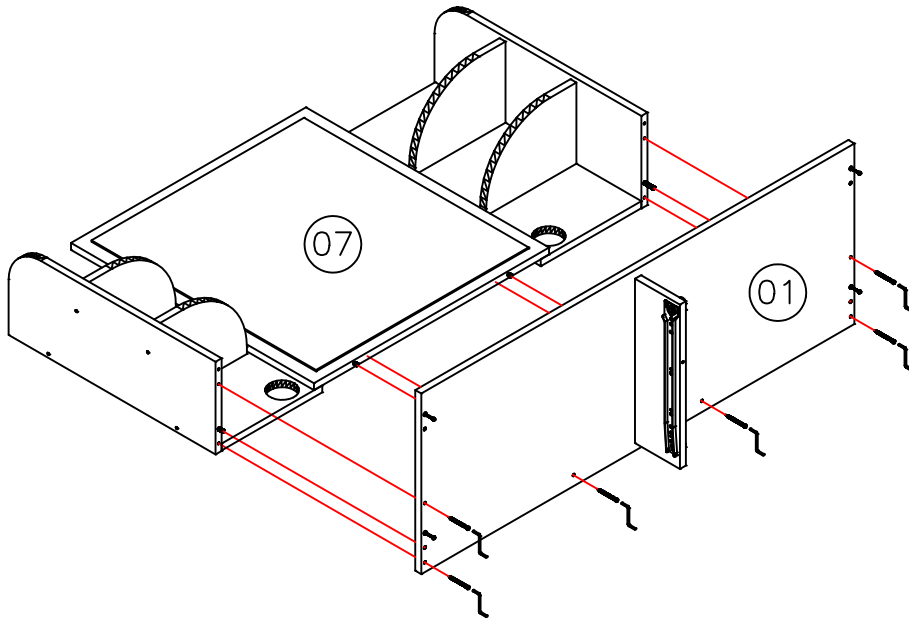
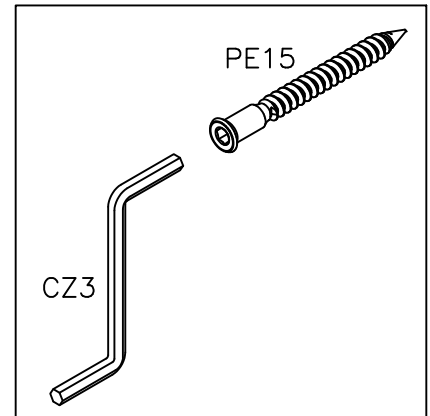
15. Fijar el conjunto anterior en la **parte superior derecha e izquierda**.

Fijar el conjunto anterior en la **parte superior derecha e izquierda**.



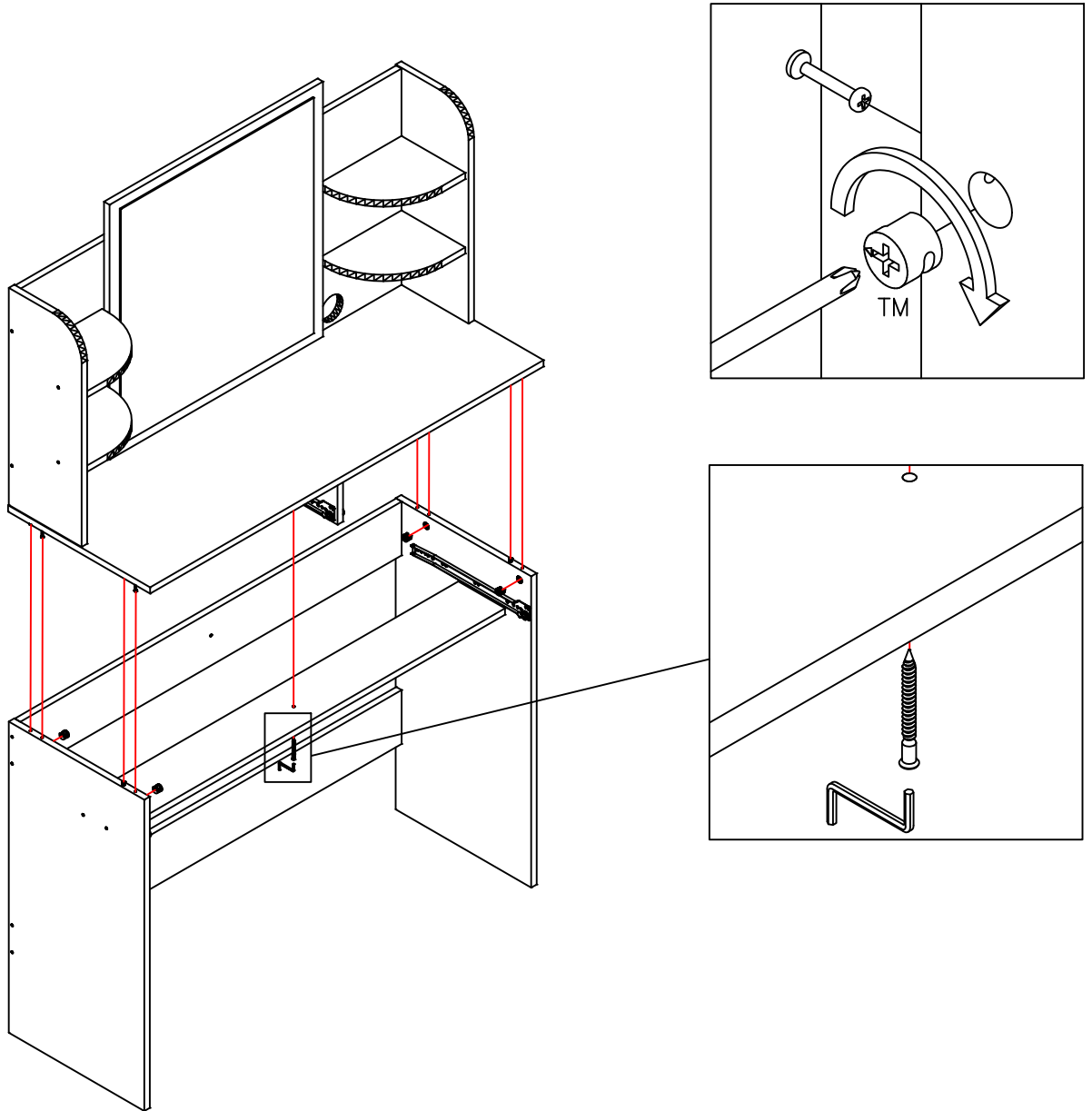
CZ3  1 PE15  8 TP2  8





16. Fix the previous assembly to the **top**
Fije el conjunto anterior en la **tapa**.



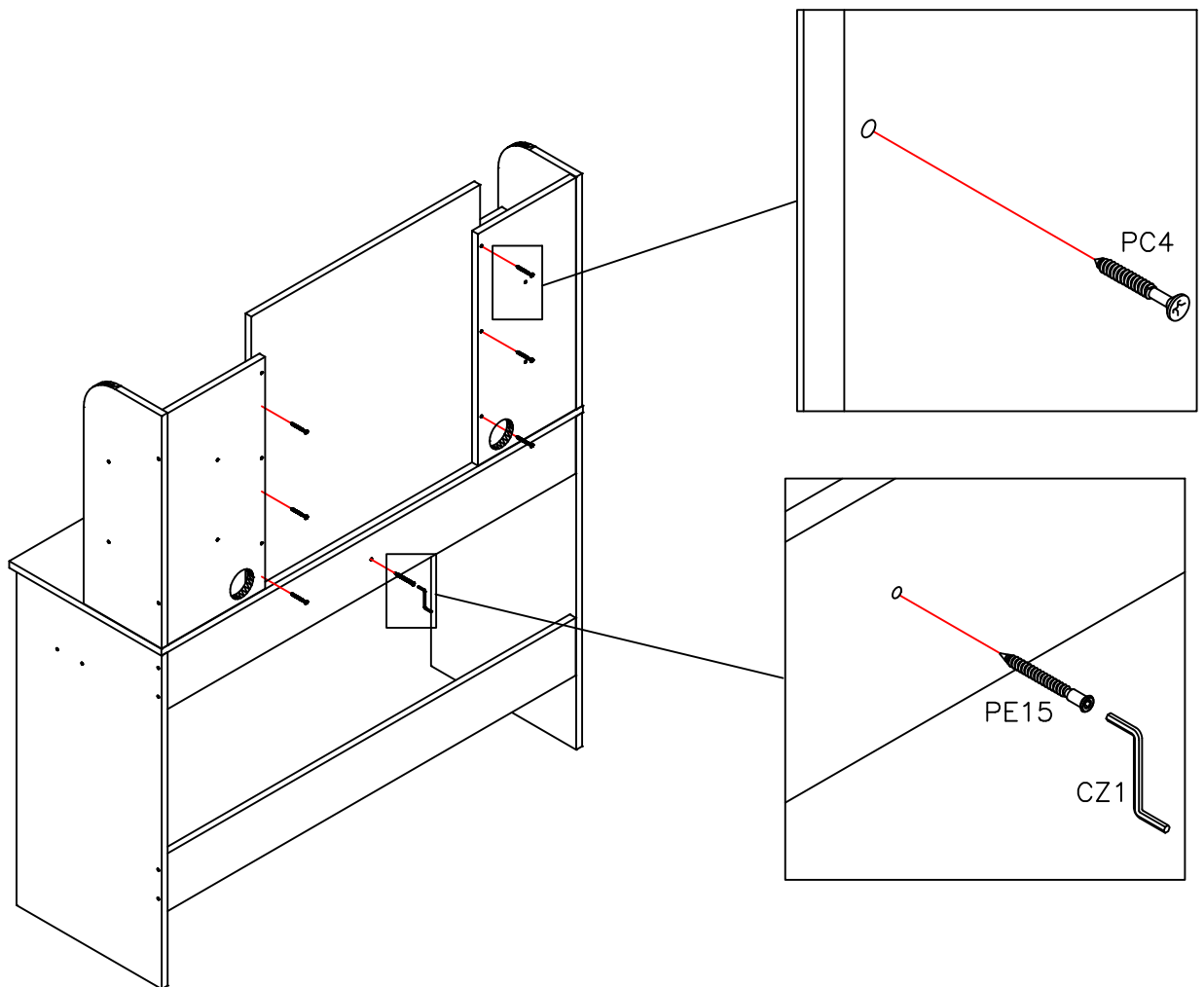
CZ3  1 PE15  6

17. Fix to the **top** in the to previous assembly
 Fijar a la **parte superior** en el a montaje anterior



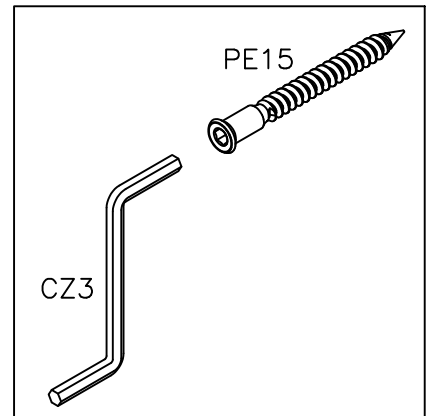
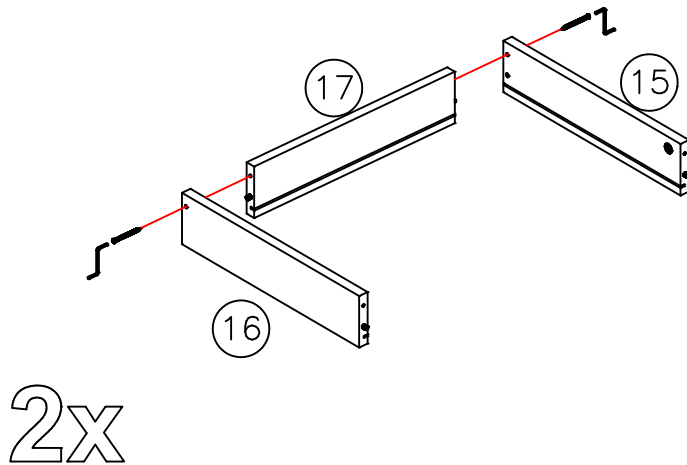
TM   4 CZ3  1 PE15  1

18. Fix to the **mirror** in the to previous assembly.
 Fijar al **espejo** en el montaje anterior.



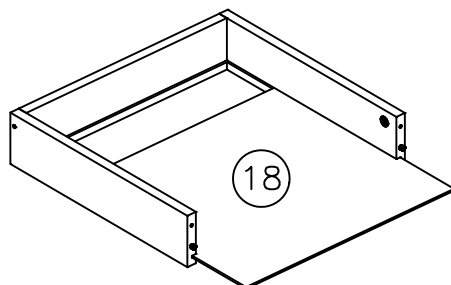
TM   4 CZ3  1 PE15  1 PC4   6

19. Fix **right drawer side** (15) 2x and **left side of drawer** (16) 2x to **rear of drawer** (17) 2x.
 Fijar **lateral derecho de cajón** (15) 2x y **lateral izquierdo de cajón** (16) 2x a **posterior de cajón** (17) 2x.



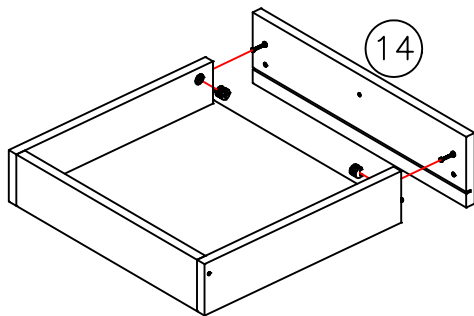
CZ3  1 PE15  4

20. Fix **bottom of drawer** (18) 2x to previous assembly.
 Fijar **fondo de cajón** (18) 2x a ensamble previo.

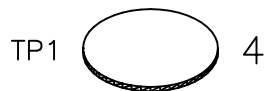
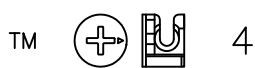
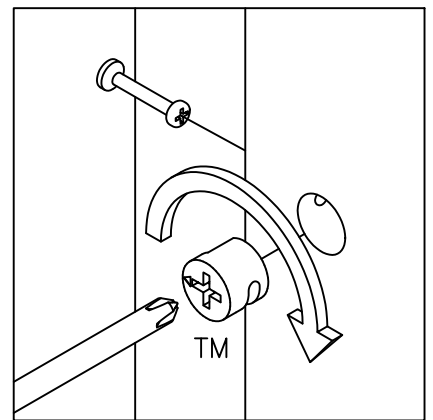


2x

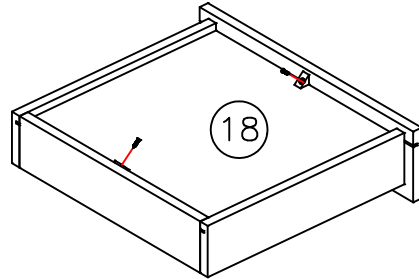
21. Fix **front of drawer** (14) to previous assembly 2x
 Fije **frente de cajón** (14) 2x a ensamble previo 2x.



2x



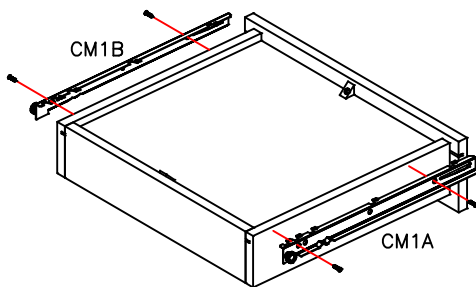
23. Fix the **triangular support** (S5) to the **bottom of the drawer** (18).
 Fijar el **soporte triangular** (S5) al **fondo del cajón** (18).



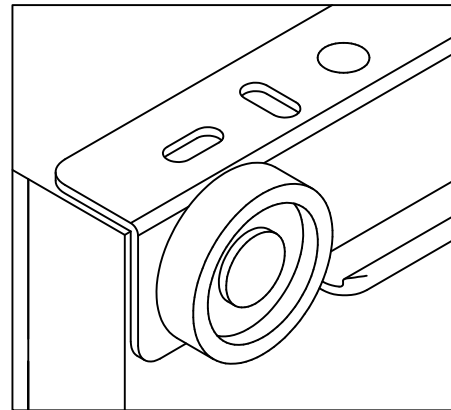
2x

S5  4 PC5  4

24. Fix the **left drawer slide** (CM1B) and **right drawer side** (CM1A) to drawer 2x.
 Fijar el **corredera de cajón izquierda** (CM1B) y **corredera de cajón derecho** (CM1A) a cajón 2x.



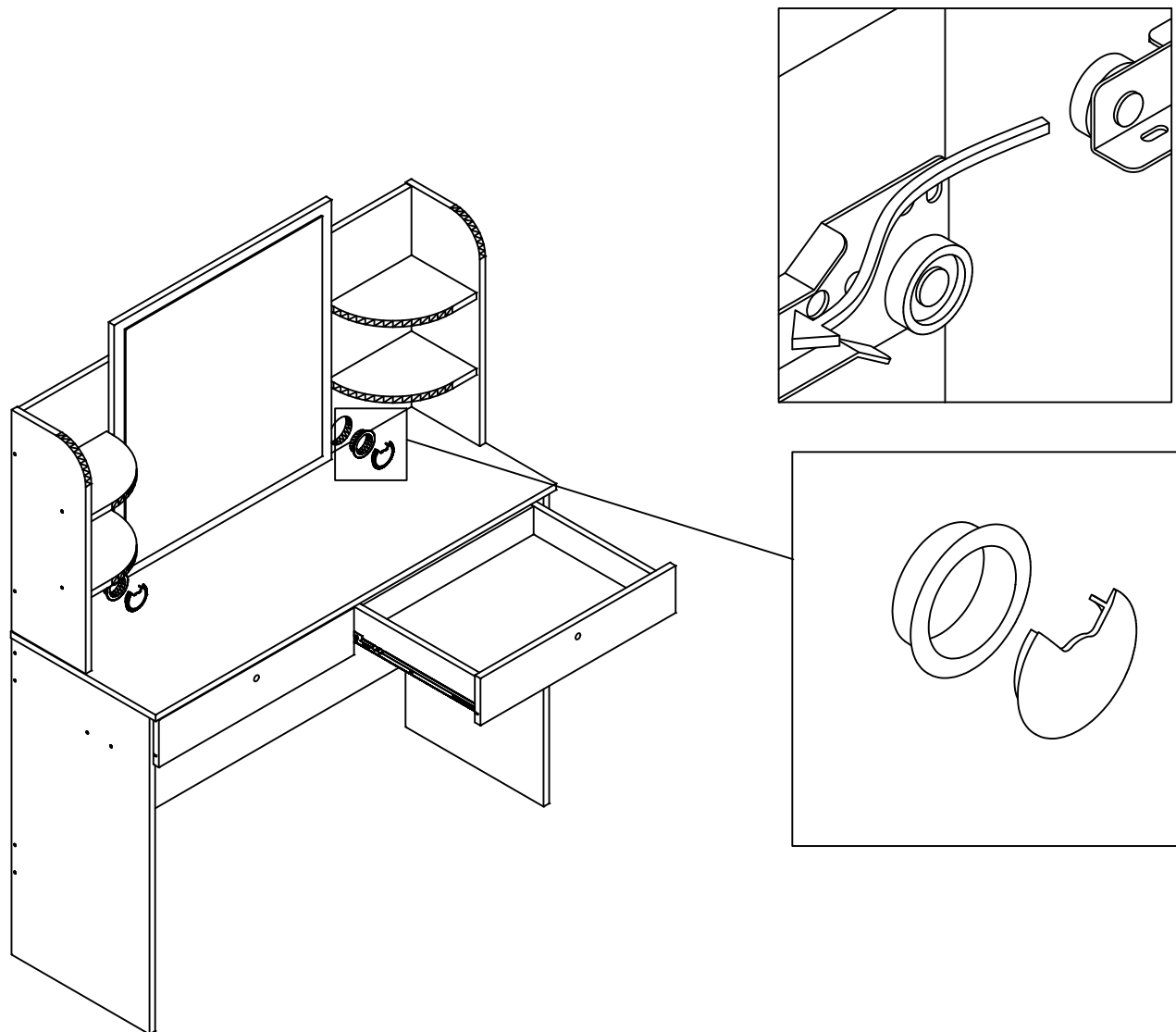
2x



CM1A  2 CM1B  2 PC3  8

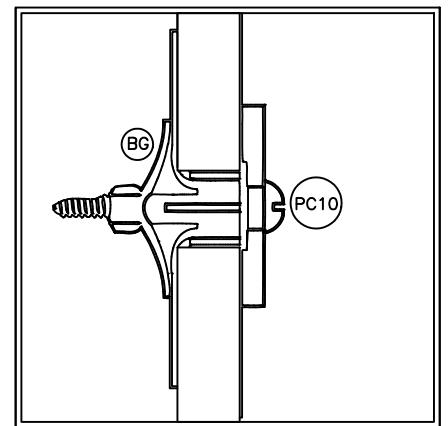
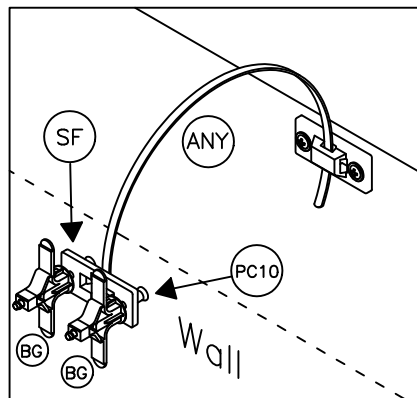
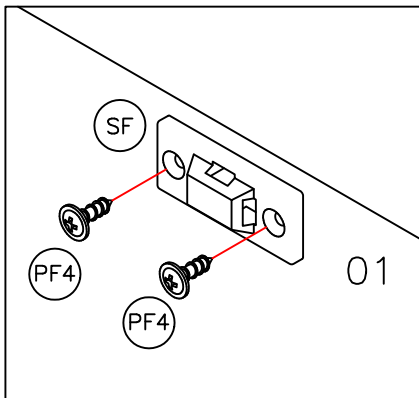
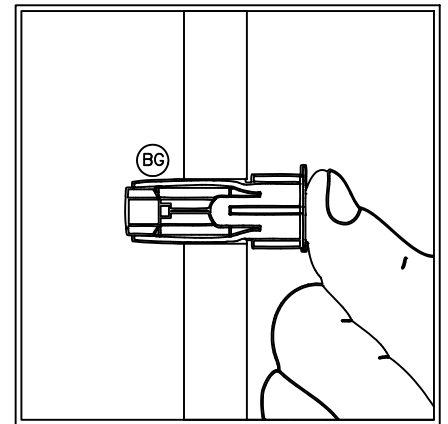
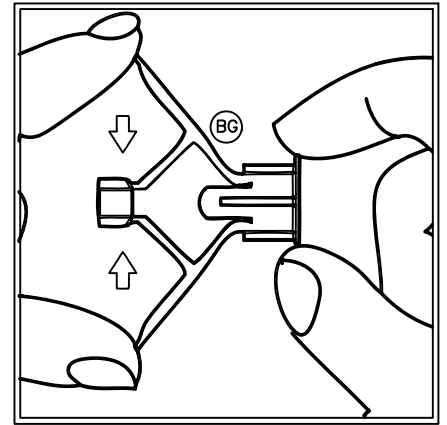
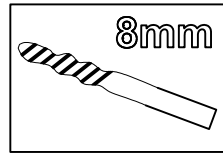
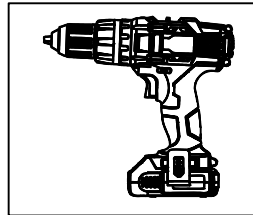
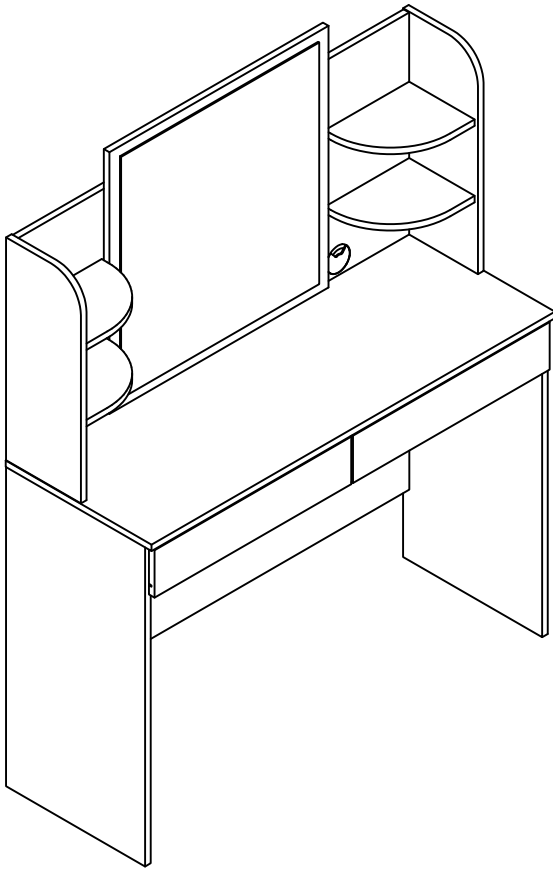
Note: Note: the missing holes must be made with the screwdriver and the corresponding screw.
Nota: los agujeros faltantes deben hacerse con el destornillador y el tornillo correspondiente.


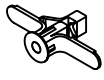


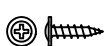
25. Slide Fit.
Ajuste por deslizamiento.



PF  2

26. Andfinally fix furniture to the wall.
Y finalmente fijar mueble a la pared.



- PC10  2
- BG  2
- SF  2
- ANY  1
- PF4  2



WARNING:
For security measures it is recommended to fix the furniture to the wall to avoid overturning of it, if this happens it can cause serious or fatal injuries.

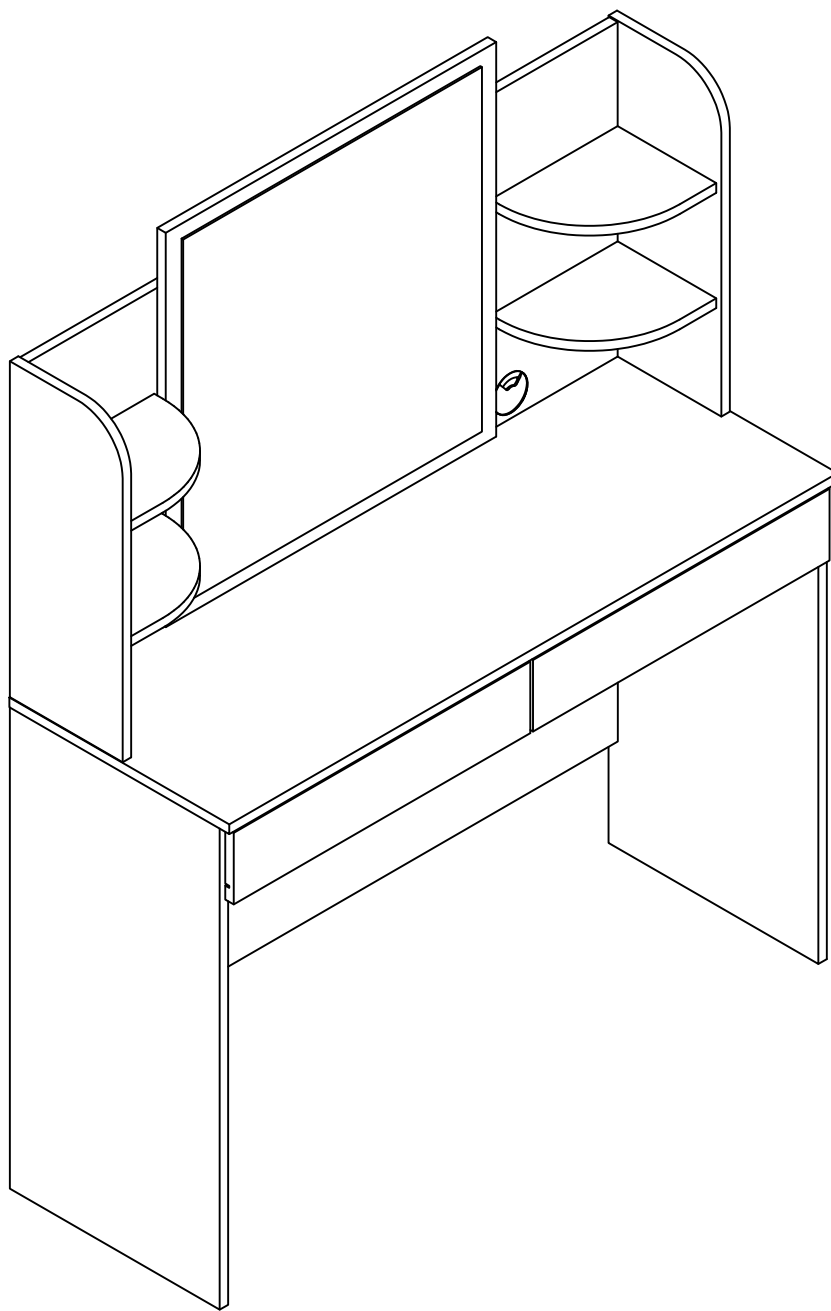
ATENCIÓN:
por medidas de seguridad se recomienda fijar el mueble a la pared para evitar volcamiento del mismo, si esto llegase a ocurrir puede causar lesiones graves o fatales.

IMPORTANT INFORMATION, PLEASE READ THE
INSTRUCTIONS CAREFULLY.

1. Fix the mounting bracket (SF) on the back of the furniture as shown in the figure, using the screws (PF4)
2. Locate a post on the wall to attach the mounting bracket (SF), place it approximately 1" below the one that is attached to the furniture. Use wall anchors (BG) and screws (PC10).
3. Move the furniture to its final position, taking care to align the wall mounting bracket with the cabinet mounting bracket. Pass the clamp (ANY) through each bracket as shown in the picture and tighten enough until it is snug.
4. Make sure all parts are tight.

INFORMACION IMPORTANTE, LEA POR FAVOR
CUIDADOSAMENTE LAS INSTRUCCIONES.

1. Fije el soporte de montaje (SF) en la parte posterior del mueble como se muestra en la figura, usando los tornillos (PF4)
2. Ubique un poste en la pared para sujetar el soporte de montaje (SF), colóquelo aproximadamente a 1" debajo del que está sujeto al mueble. Utilice anclajes de pared (BG) y tornillos (PC10).
3. Mueva el mueble a su posición final, teniendo cuidado de alinear el soporte de montaje en pared con el soporte de montaje del gabinete. Pase la abrazadera (CUALQUIERA) a través de cada soporte como se muestra en la imagen y apriete lo suficiente hasta que quede ajustado.
4. Asegúrese de que todas las piezas estén apretadas.



***Congratulations, you have assembled your DRESSING TABLE WITH MIRROR!!!
iiiFelicitaciones, has armado tu Tocador con Espejo!!!***

1636 Boahaus DRESSING TABLE WITH MIRROR Warranty

6—Months Limited Warranty

a. Boahaus, LLC provides limited warranty coverage to the original purchaser of this product for a period of six months from the date of purchase against defects in materials or workmanship of Boahaus furniture components. As used in this Warranty, "defect" means imperfections in components which substantially impair the utility of the product. This Warranty gives you specific legal rights, and you may also have other rights which vary from state to state.

b. There is no warranty coverage for defects or conditions that result from the failure to follow product assembly instructions, information or warnings, misuse or abuse, intentional damage, fire, flood, alteration or modification of the product, or use of the product in a manner inconsistent with its intended use, nor any condition resulting from incorrect or inadequate maintenance, cleaning, or care. There is also no warranty coverage for rented products or any products purchased "used" or "as is", at a distress or going-out-of business sale, or from a liquidator.

c. As the exclusive remedy under this Warranty, Boahaus will (at its sole option) repair, replace or refund the value of any defective furniture component. Boahaus may require independent confirmation of the claimed defect and proof of purchase. Replacement parts will be warranted for only the remaining period of the original Warranty. BOAHAUS SHALL HAVE NO LIABILITY for ANY INCIDENTAL OR CONSEQUENTIAL DAMAGES OF ANY KIND and all such damages are EXCLUDED FROM THIS WARRANTY, such as loss of use, disassembly, transportation, labor or damage to property on or near the product. Some states do not allow the exclusion or limitation of incidental or consequential damages, so the above limitation or exclusion may not apply to you.

d. This Warranty applies only to warranted defects that first arise and are transferred to subsequent owners or users of the product, and it shall be immediately void in the event the product is resold, transferred, leased or rented to any third party or person other than the original purchaser.

e. THERE ARE NO OTHER WARRANTIES APPLICABLE TO THIS PRODUCT. Under the laws of certain states, there may be no implied warranties from Boahaus and all implied warranties, INCLUDING ANY IMPLIED WARRANTY OF MERCHANTABILITY OR FITNESS FOR A PARTICULAR PURPOSE are disclaimed where allowed by law. TO THE EXTENT ANY IMPLIED WARRANTIES ARE APPLICABLE, ANY IMPLIED WARRANTIES, INCLUDING ANY IMPLIED WARRANTY OF MERCHANTABILITY OR FITNESS FOR A PARTICULAR PURPOSE, ARE LIMITED IN DURATION TO THE DURATION OF THIS EXPRESS WARRANTY or the minimum period allowed by law, whichever is shorter. Some states do not allow limitations on how long an implied Warranty lasts, so the above limitation may not apply to you.

f. For Warranty inquiries, questions about disposition or claims, please visit our website www.boahaus.com. You can also contact Boahaus at +1 (787) 688-1254 or email at administracion@boahaus.com. Boahaus may require Warranty claims to be submitted in writing to:

Boahaus LLC.
1250-1252
Ave. Franklin Delano Roosevelt,
San Juan, PR 00926.