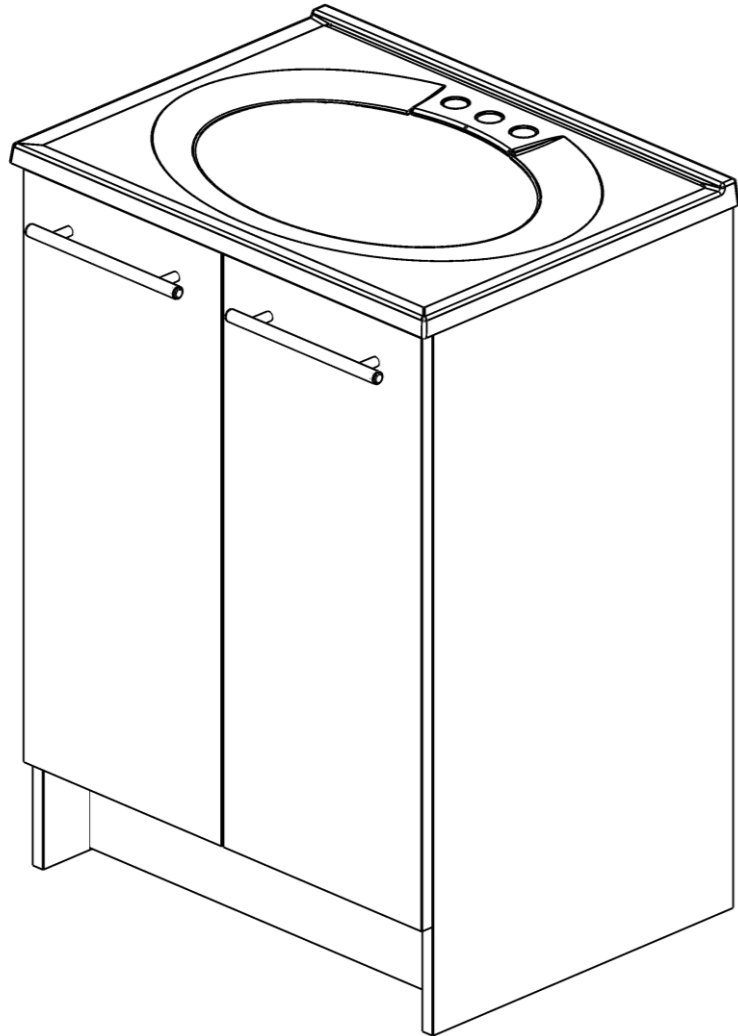
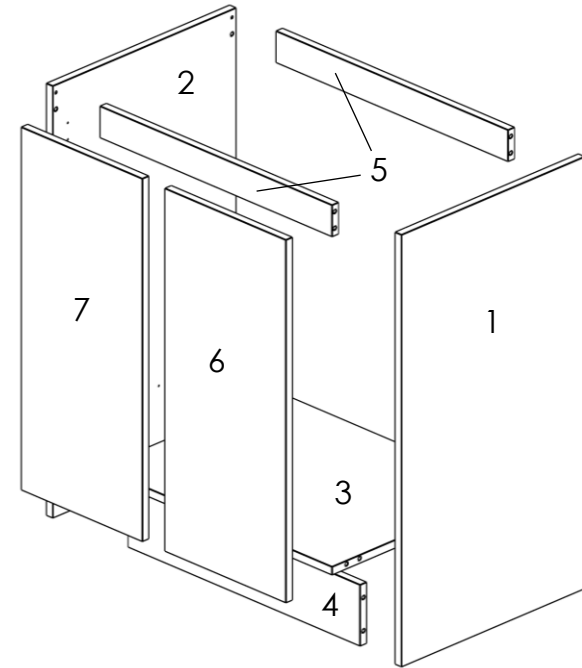








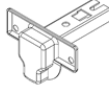

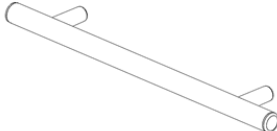
# BATHROOM VANITY



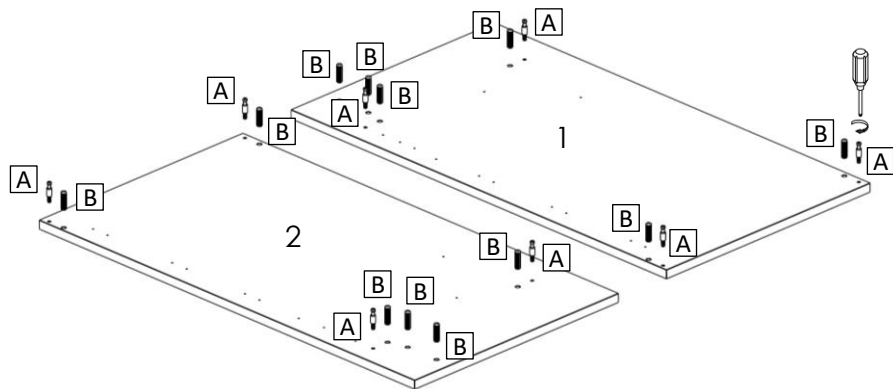
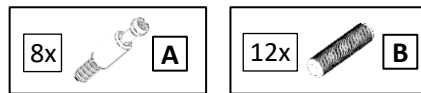
## PART LIST



## HARDWARE LIST

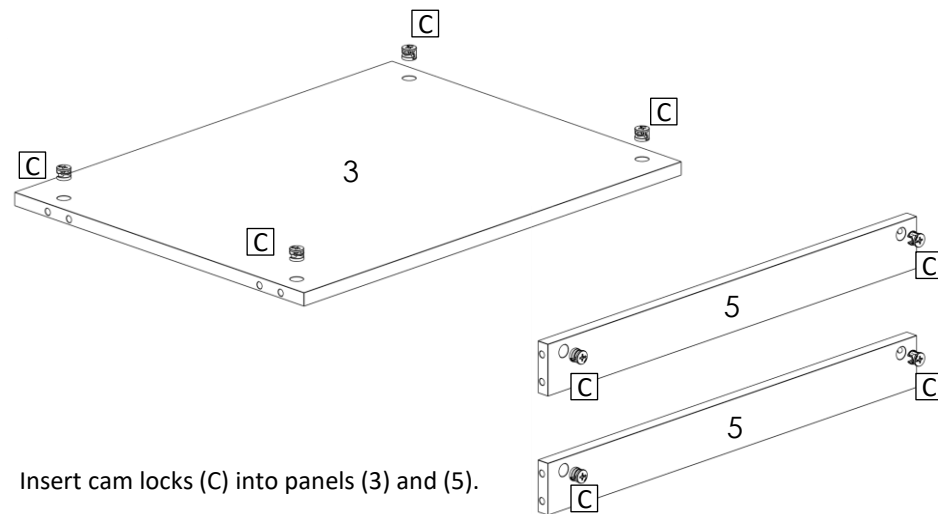
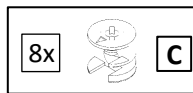
A		Cam bolt	x8	B		Dowel	x12
C		Cam lock	x8	D		Screw 3,5x16mm	x16
E		Screw 3,5x45mm	x4	F		Nail foot	x4
G		Hinge	x4	H		Hinge plate	x4
I		Handle	x2				

## Step 1



Insert dowels (B) and cam bolts (A) into panels (1) and (2).  
Fix cam bolts (A) with a phillips screwdriver.  
**\*Do not use hammer.**

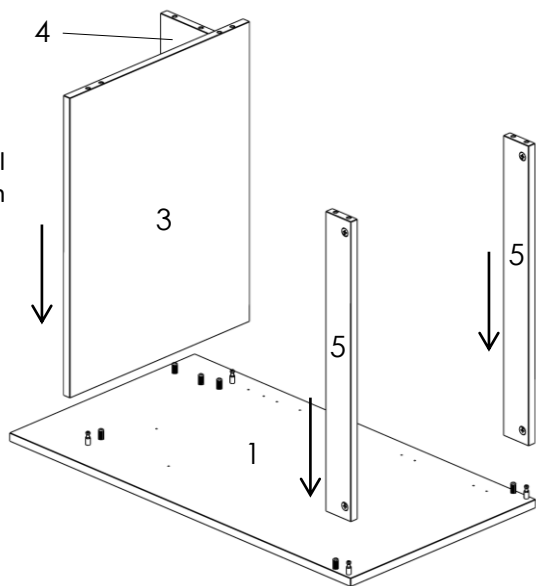
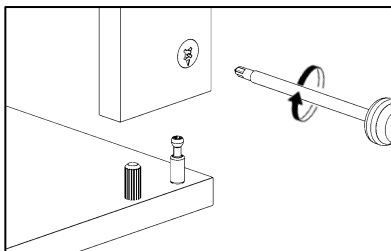
## Step 2



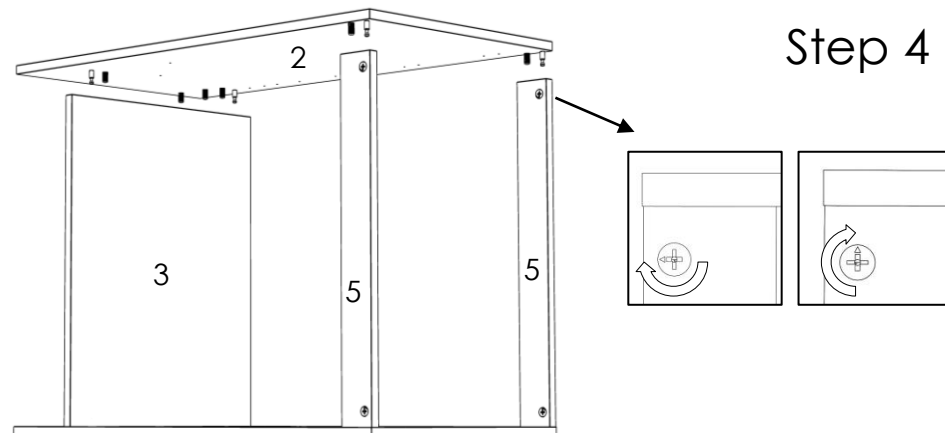
Insert cam locks (C) into panels (3) and (5).

## Step 3

Attach panels (3), (4) and (5) to panel (1) tightening cam locks (C) applied in each one with a phillips screwdriver.



## Step 4



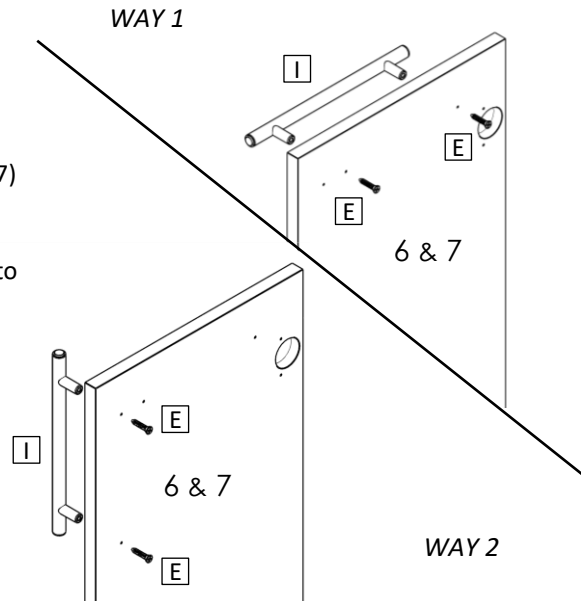
Attach panels (2) to panels (3), (4) and (5) tightening cam locks (C) applied in each one with a phillips screwdriver.

**Before raise up the cabinet, it is recommended to install the foot while the furniture is light (Step 8).**

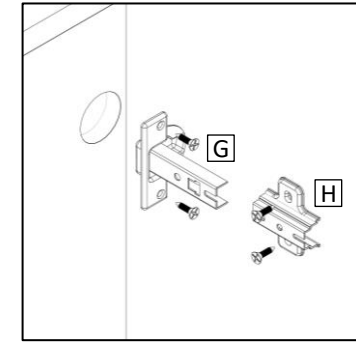
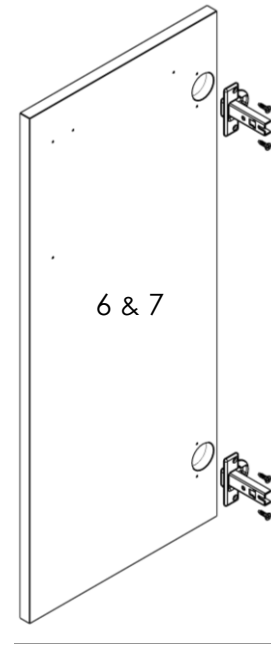
## Step 5

Attach handle (I) to panel (6) and (7) with screw 3,5x45mm (E).

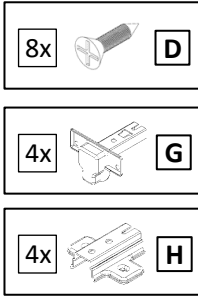
You can choose the way you want to install the handle.



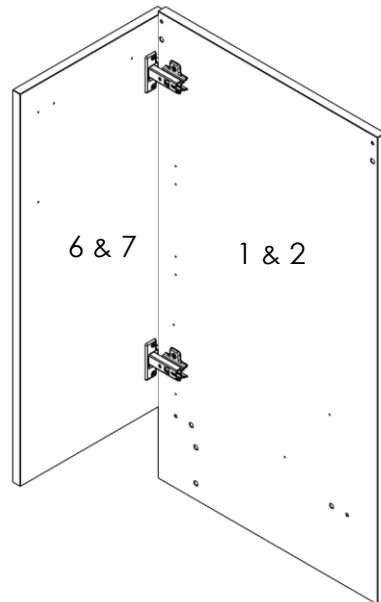
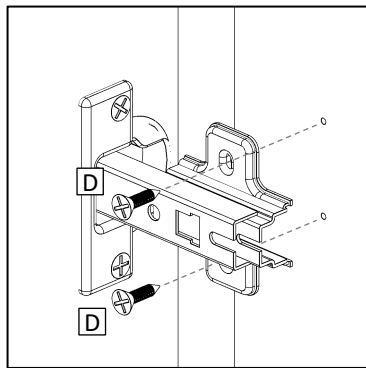
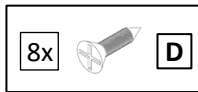
## Step 6



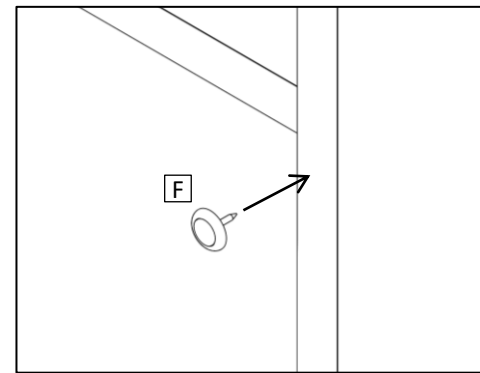
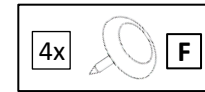
Fit hinge plate (G) to hinge (H). After that, fit both parts (H) and (G) to panels (6) and (7), and use screw 3,5x16mm (D) to fix them with a phillips screwdriver.



## Step 7

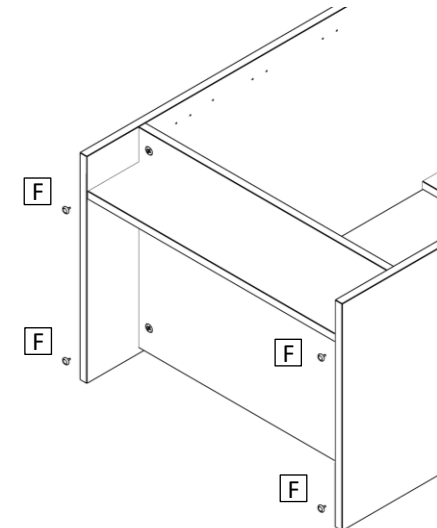


Attach doors (6) and (7) to panels (1) and (2) with screw 3,5x16mm (D), following the marks.



- Install the nail foot (F) pressing them against the panels (1) and (2).

## Step 8



## Step 9

### Vanity Top Installation

1. Set the vanity top on top of the vanity base, checking the location of the p-trap and drain.
2. Remove the top and install the faucet per manufacturer's installation instructions.
3. Hand tighten the pop-up drain with a wrench. Be careful not to over-tighten the pop-up drain. Over tightening may cause cracks on the marble top.
4. Apply a thin bead of silicone compound around the vanity base and set the vanity top carefully in place. Remove any excess silicone compound with a wet rag. (SILICON NOT INCLUDED)
5. Install the faucet, water lines and P-trap according to manufacturer's installation instructions.
6. It is recommended to use the Without Overflow drain (NOT INCLUDED).

