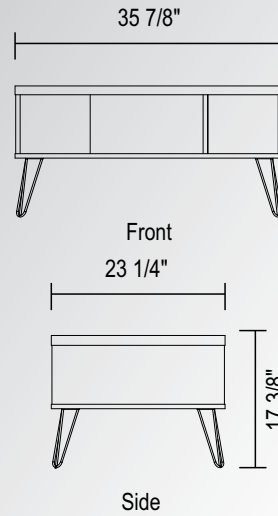
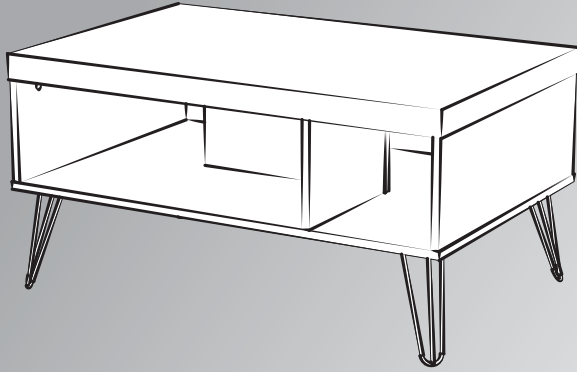


User's Guide

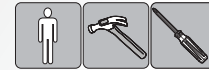


Conservation and Cleaning

Do not expose the product to sunlight, high temperatures and humidity. Do not drag objects across the surface of the unit (TV, DVD, stereo, decorative objects ...)
 Keep it in a fresh dry place.
 For cleaning, use a dry and soft cloth.
 Do not use abrasive materials or alcohol.

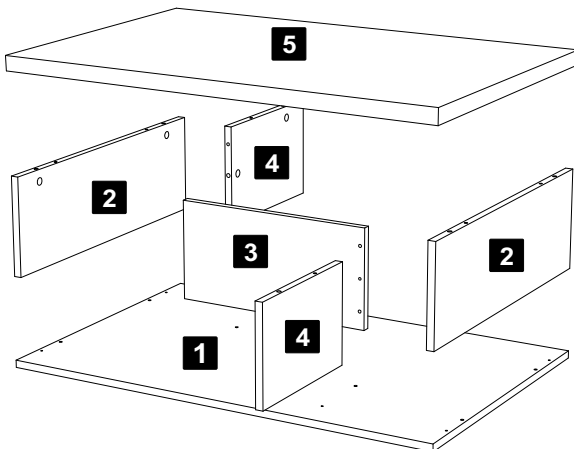
Oregon Coffee Table

1.0 Version



Hardware List

A		Peg	16	E		Ø4,0x14mm CP Screw	16
B		Minifix	08	F		Metal Foot	04
C		Minifix Cam	08	G		Ø3,5x40mm CP Screw	06
D		Hole Cover	08				



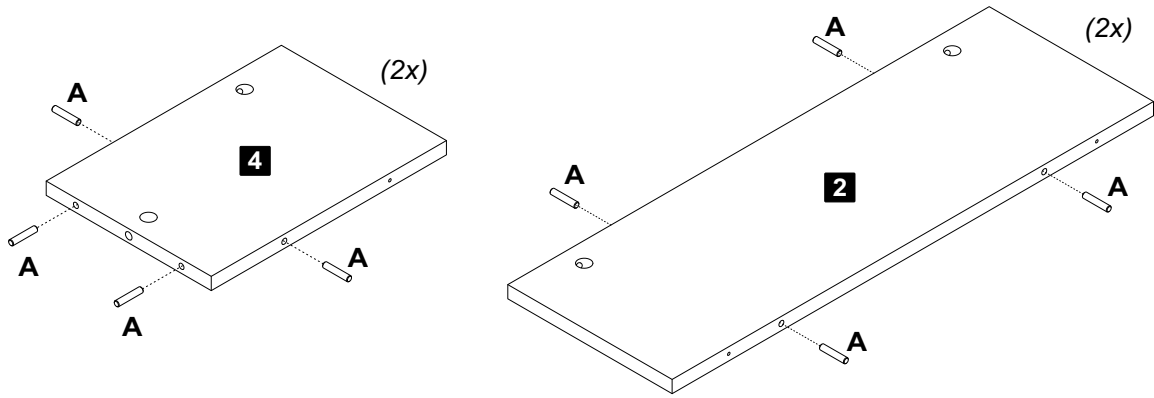
Descrição

- 1-Base (35 7/8"x23 1/4"x5/8")
- 2-Side (23 1/8"x7 7/8"x5/8")
- 3-Partition (15 3/4"x7 7/8"x5/8")
- 4-Small partition (11 1/4"x7 7/8"x5/8")
- 5-Top (35 7/8"x23 1/4"x1")



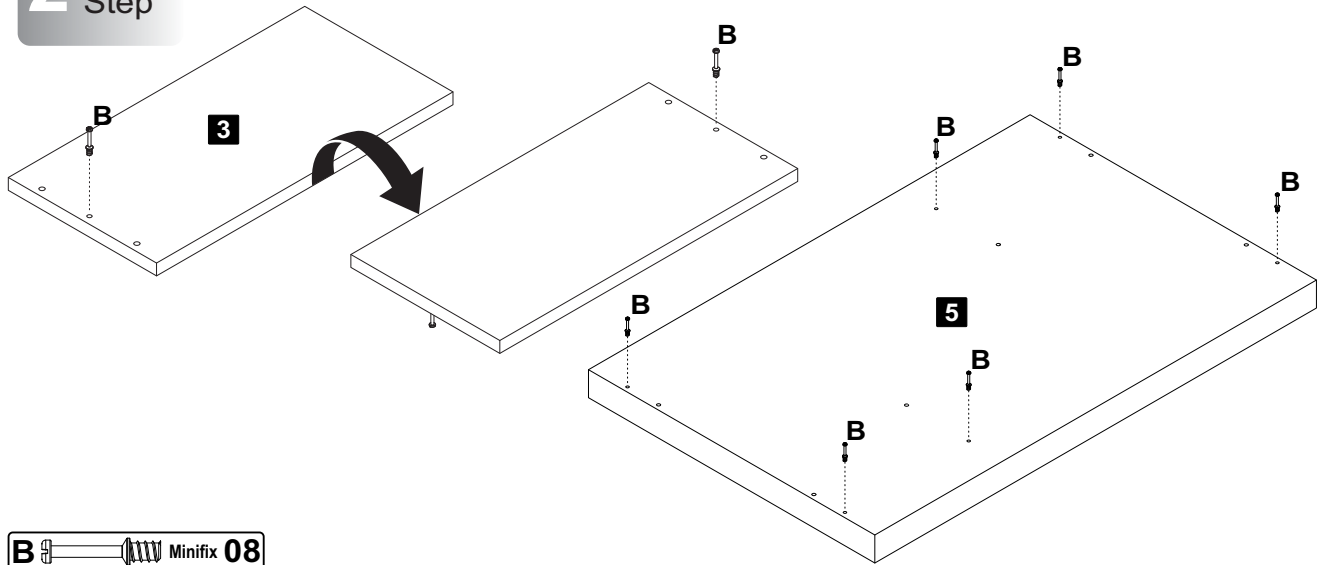
-The number on the edge of the piece matches the manual.
 -Use a white eraser, alcohol gel or furniture polish to remove the numbers.

1st Step



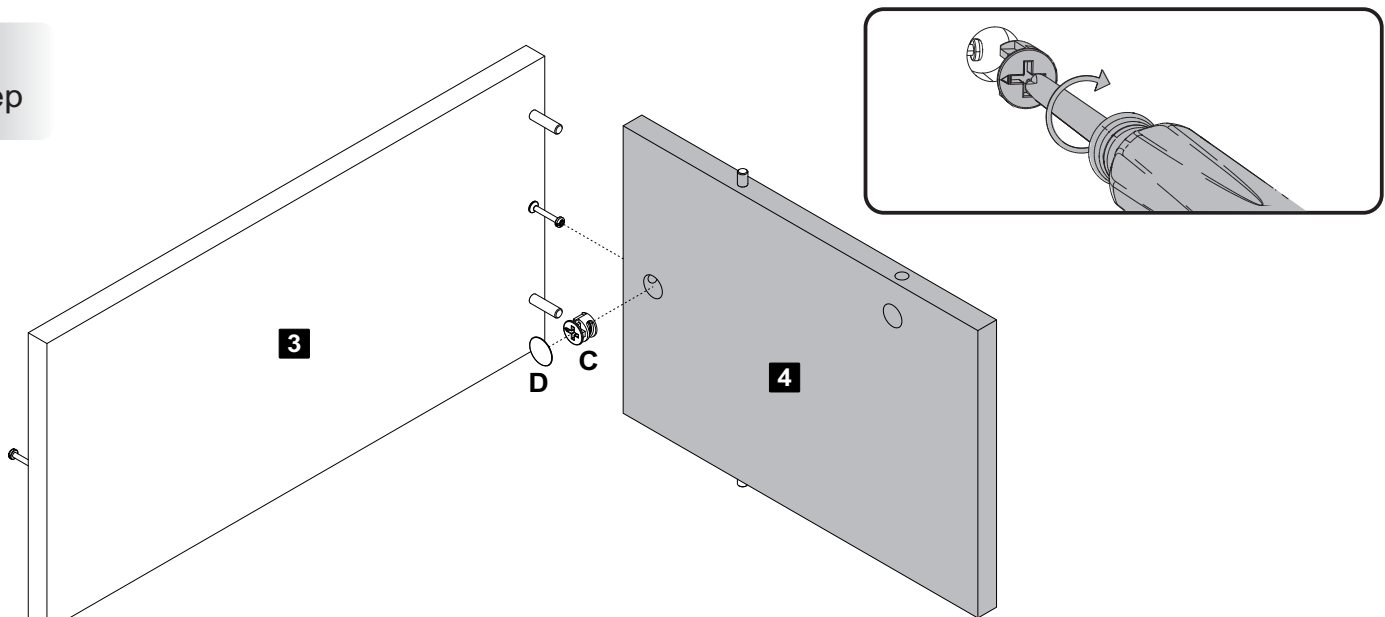
A Peg 16

2nd Step



B Minifix 08

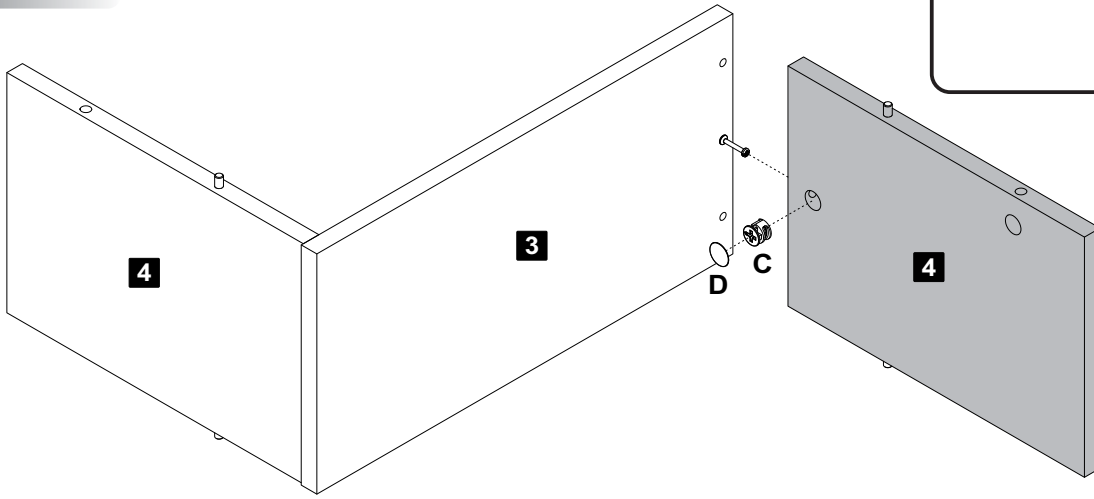
3rd Step



C Minifix Cam 01

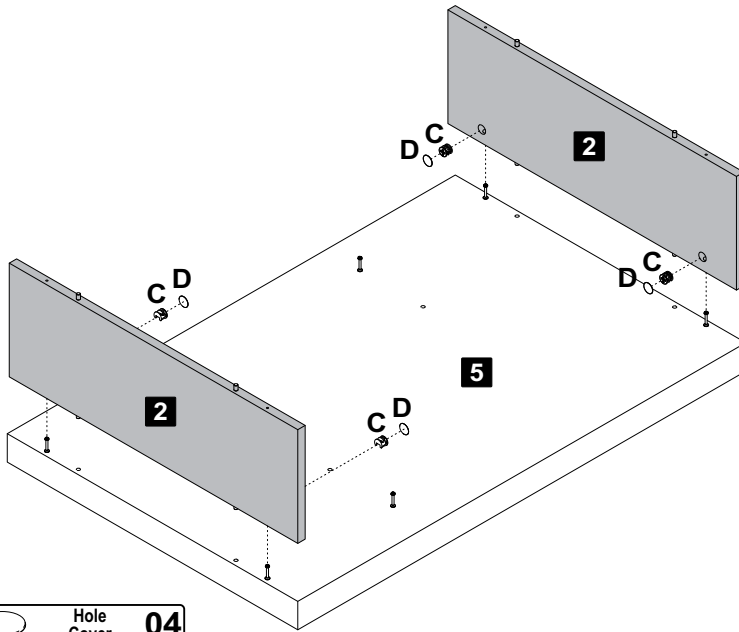
D Hole Cover 01

4th Step



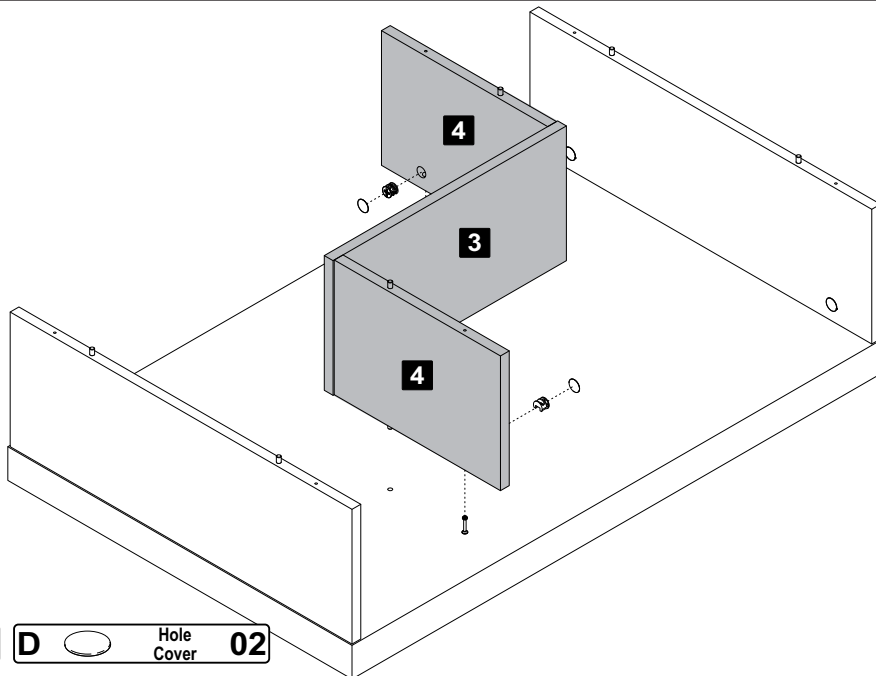
C  Minifix Cam **01** **D**  Hole Cover **01**

5th Step



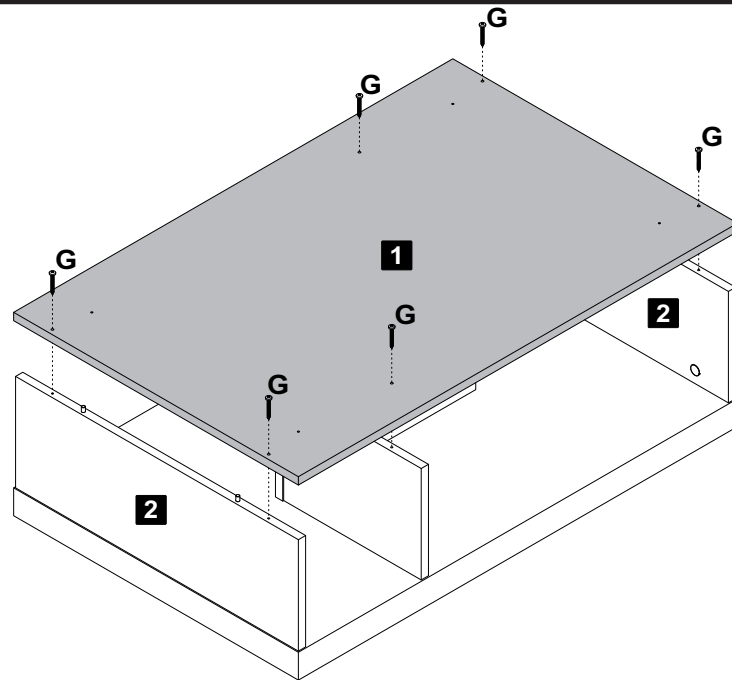
C  Minifix Cam **04** **D**  Hole Cover **04**


6th Step



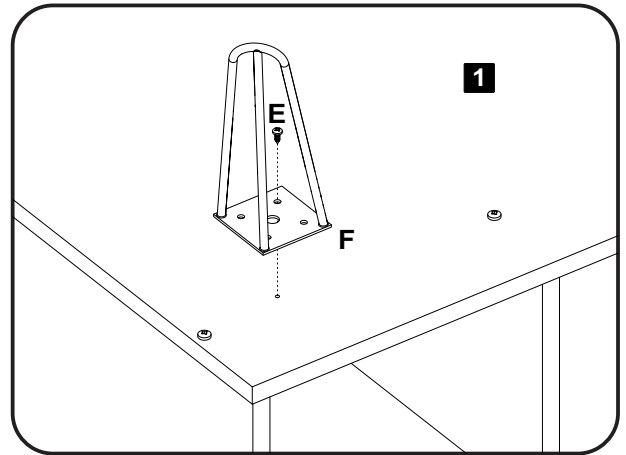
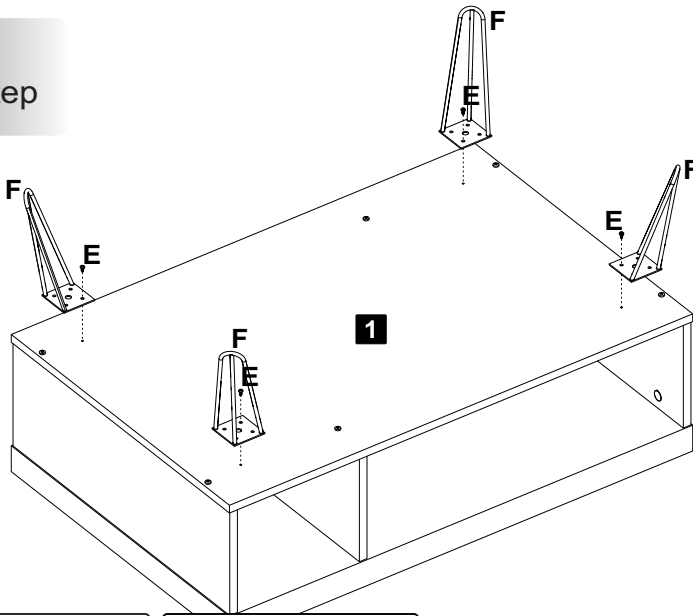
C  Minifix Cam **02** **D**  Hole Cover **02**

7th Step



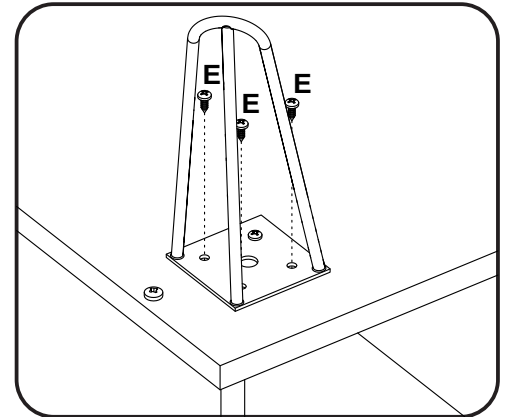
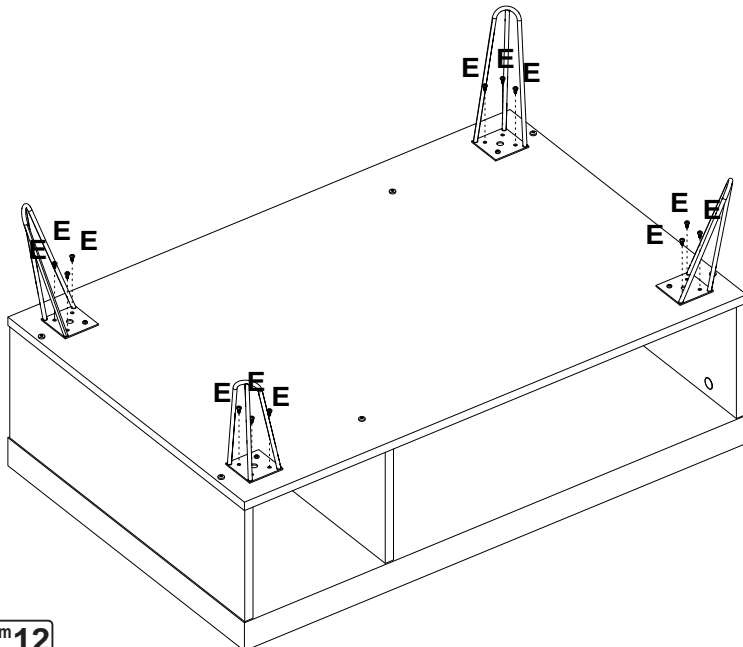
G  Ø3,5x40mm Screw **06**

8th Step



E  Ø4,0x14mm Screw **04** **F**  Metal Foot **04**

9th Step



E  Ø4,0x14mm Screw **12**