

# User's Guide

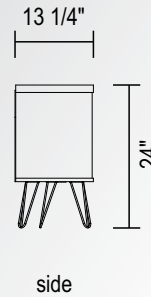
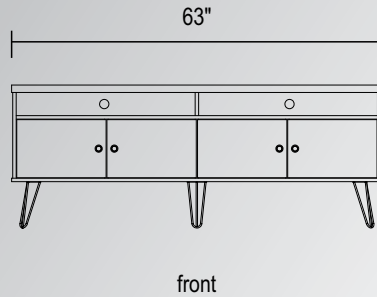
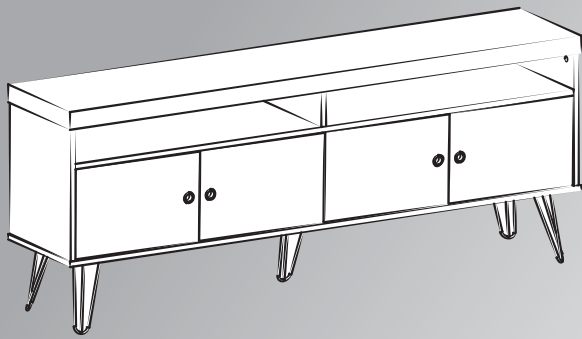
## Conservation and Cleaning

Do not expose the product to sunlight, high temperatures and humidity. Do not drag objects across the surface of the unit (TV, DVD, stereo, decorative objects ...)

Keep it in a fresh dry place.

For cleaning, use a dry and soft cloth.

Do not use abrasive materials or alcohol.



# Oregon TV Stand

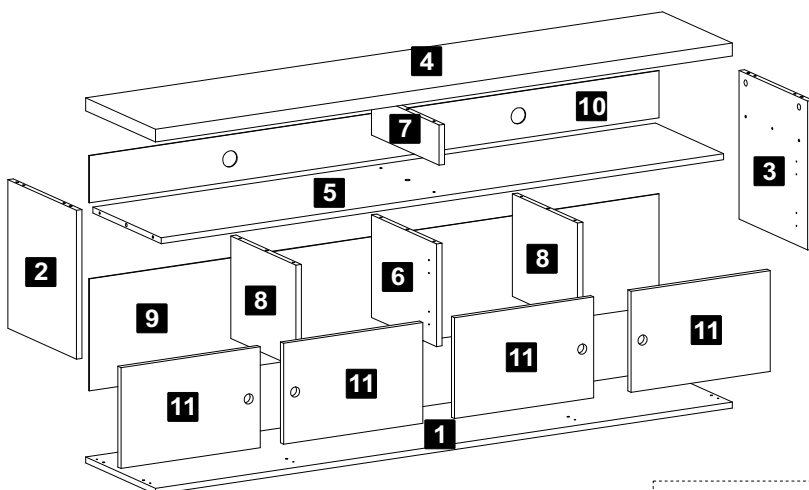
1.0 Version



## Lista de Materiais Lista de Materiales/ Hardware List

<b>A</b>		Peg	<b>28</b>
<b>B</b>		Minifix	<b>09</b>
<b>C</b>		Minifix Cam	<b>11</b>
<b>D</b>		Hole Cover	<b>11</b>
<b>E</b>		Ø4,0x14mm CP Screw	<b>52</b>
<b>F</b>		Ø3,5x40mm CP Screw	<b>10</b>

<b>G</b>		Double Rod Minifix	<b>01</b>
<b>H</b>		Nail	<b>37</b>
<b>I</b>		Metal Foot	<b>05</b>
<b>J</b>		Handle	<b>04</b>
<b>K</b>		High Hinge Kit	<b>04</b>
<b>L</b>		Medium Hinge Kit	<b>04</b>
<b>M</b>		Fixer	<b>10</b>

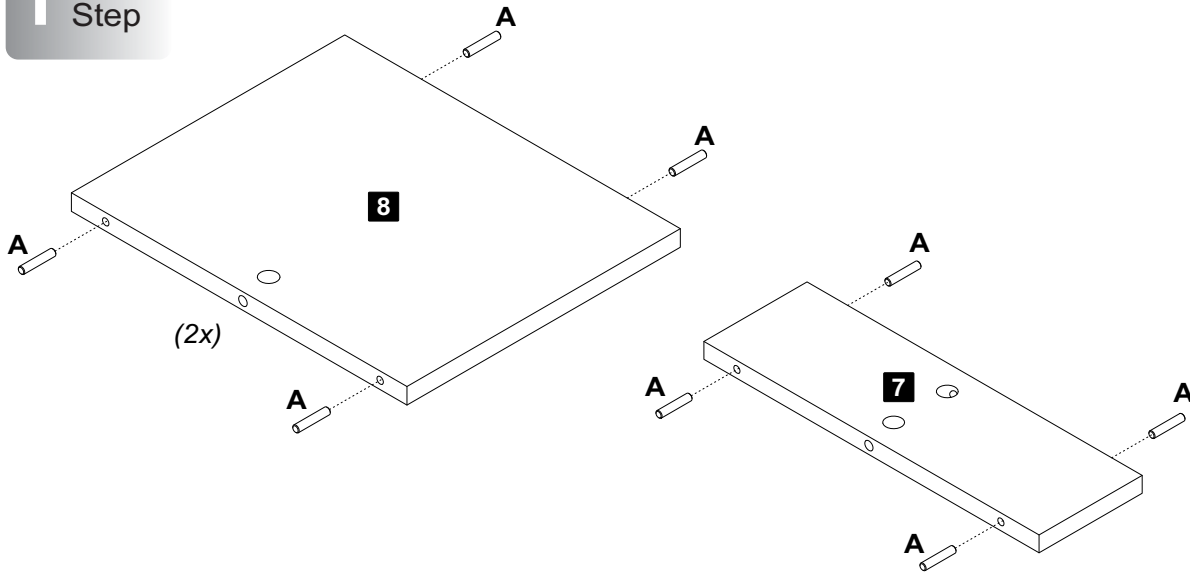


### Description

- 1-Base (63"x13 1/4"x5/8")
- 2-Left side (14 5/8"x13"x5/8")
- 3-Right side (14 5/8"x13"x5/8")
- 4-Top (63"x13 1/4"x1")
- 5-Shelf (61 3/8"x12 7/8"x5/8")
- 6-Center partition (10"x12 3/8"x5/8")
- 7-Upper partition (4"x12 3/4"x5/8")
- 8-Side partition (10"x12 3/8"x5/8")
- 9-Back (62 1/4"x11"x1/8")
- 10-Smaller back (62 1/4"x4 5/8"x5/8")
- 11-Door (9 7/8"x15 1/8"x5/8")

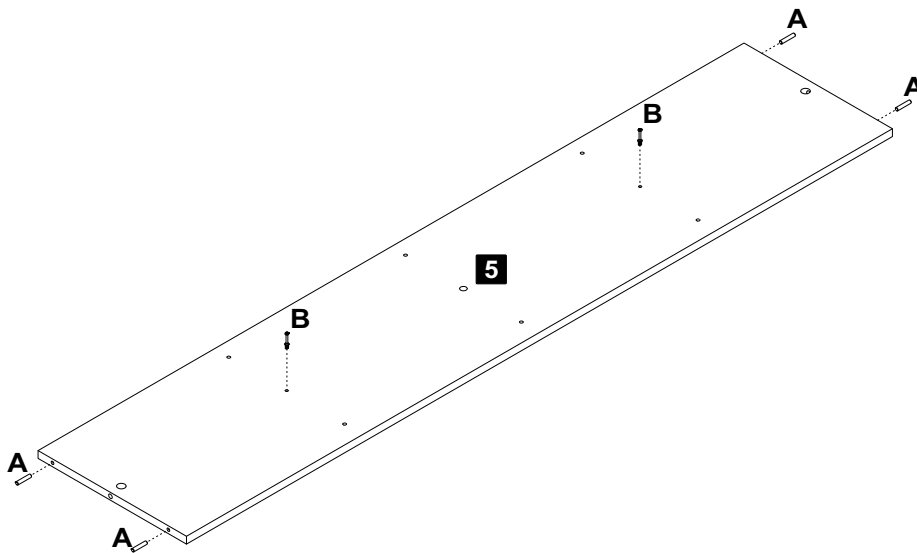
**Piece** 01 → -The number on the edge of the piece matches the manual.  
 -Use a white eraser, alcohol gel or furniture polish to remove the numbers.

1<sup>st</sup> Step



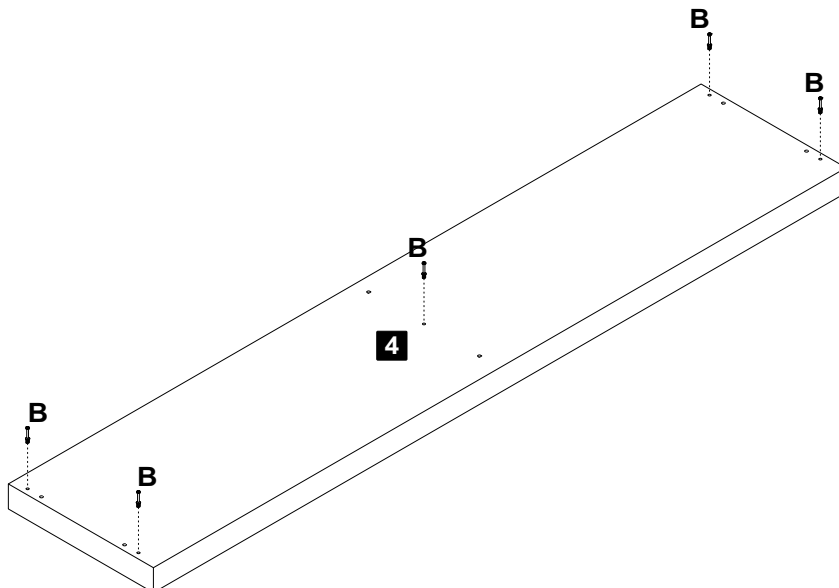
**A** Peg 12

2<sup>nd</sup> Step



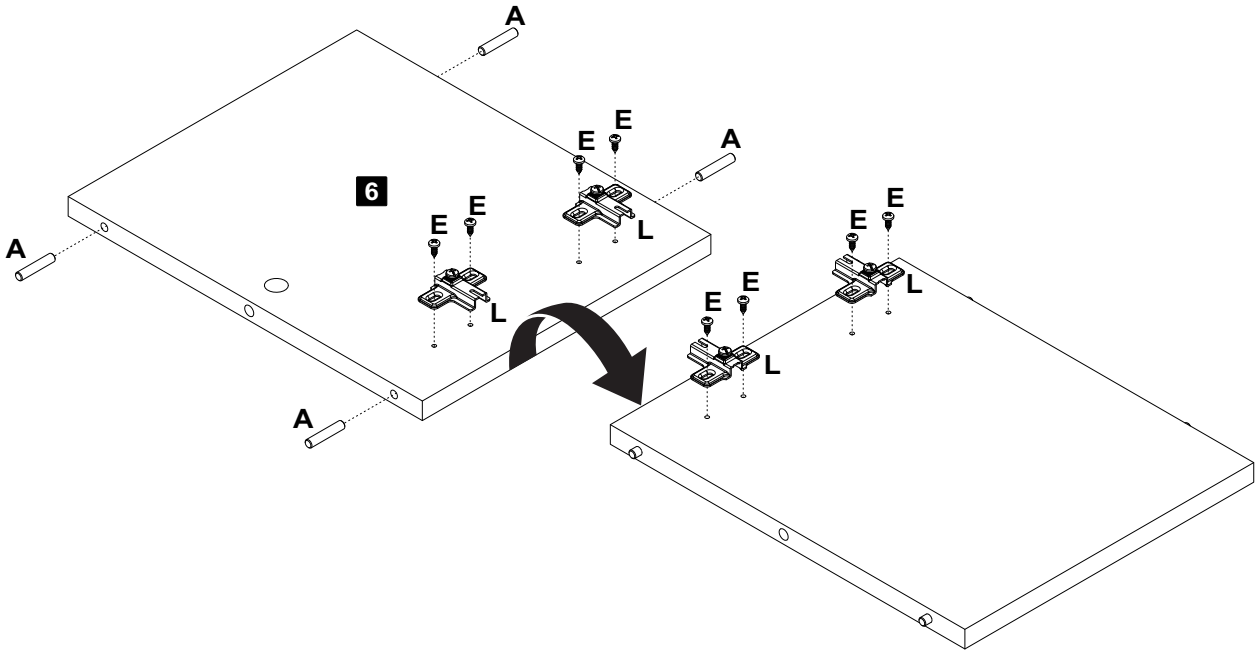
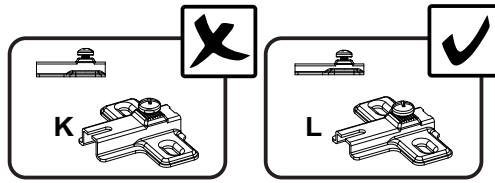
**A** Peg 04   **B** Minifix 02

3<sup>rd</sup> Step



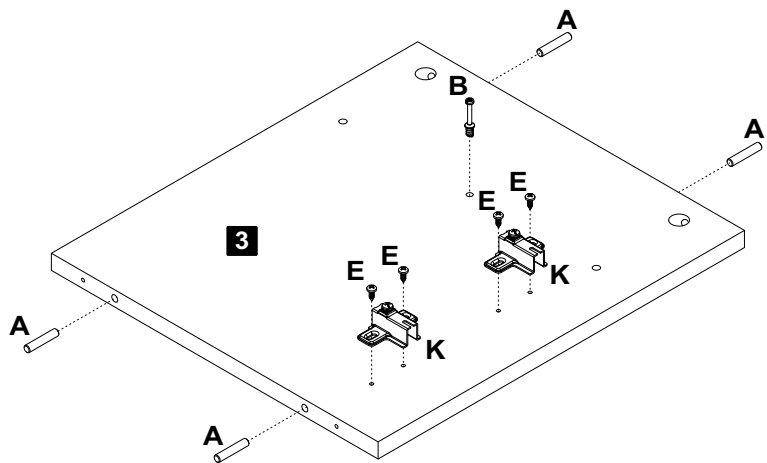
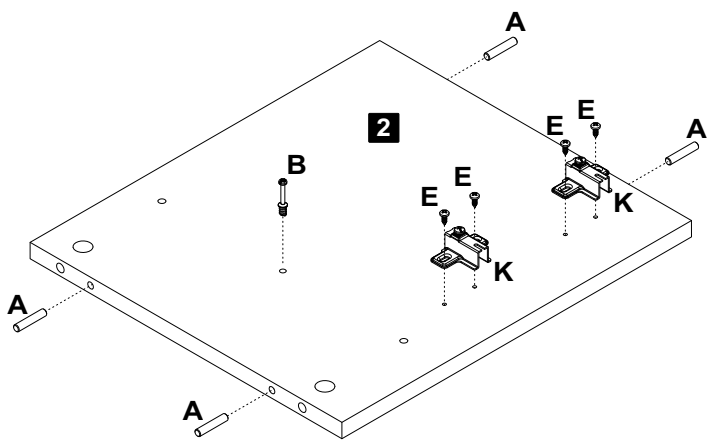
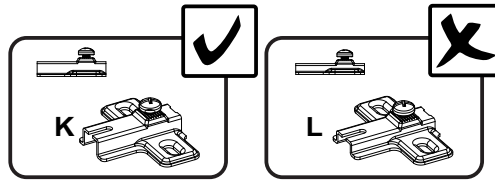
**B** Minifix 05

# 4<sup>th</sup> Step



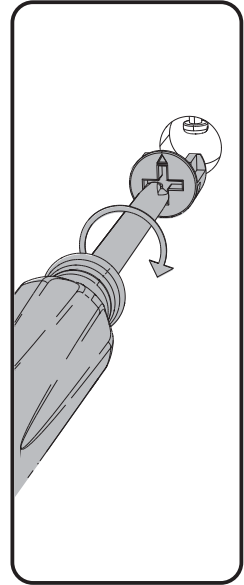
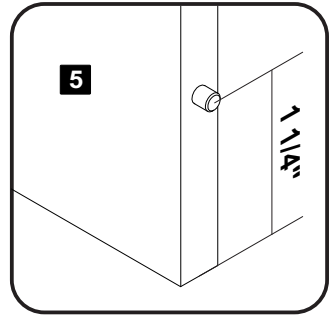
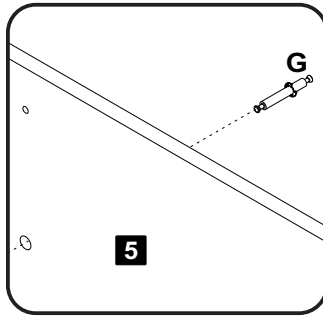
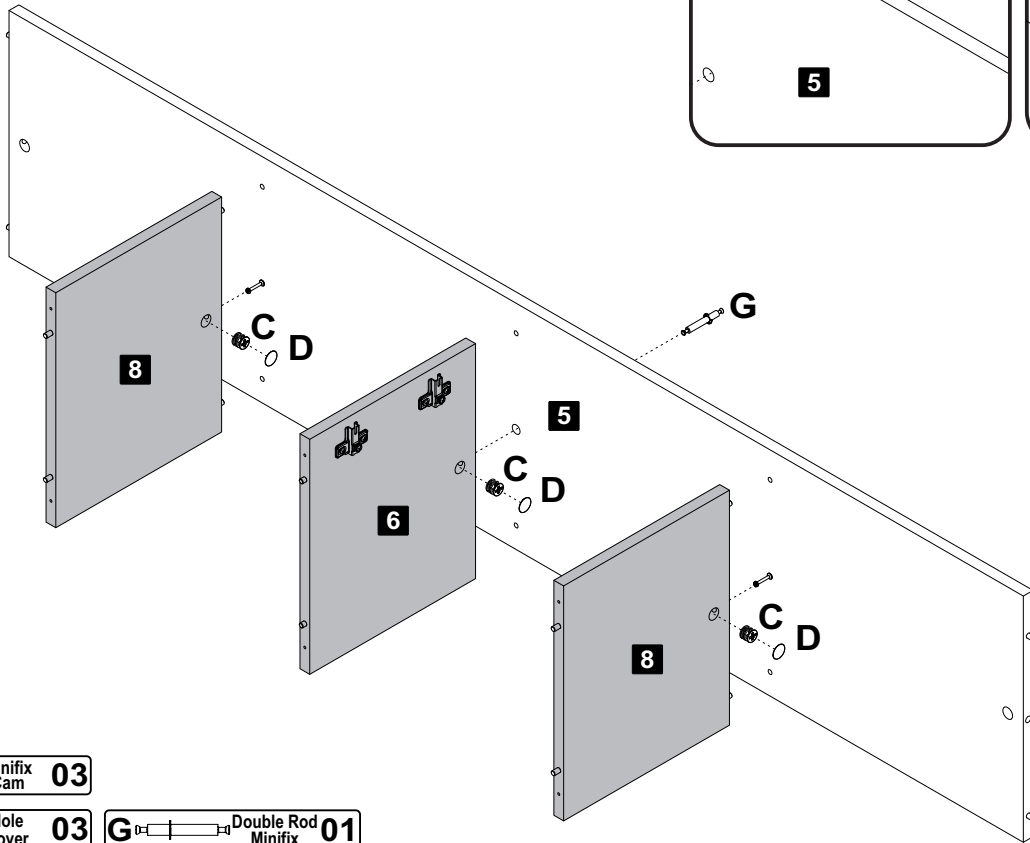
- A** Peg 04
- E** Ø4,0x14mm Screw 08
- L** Medium Hinge Kit 04


# 5<sup>th</sup> Step



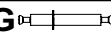
- A** Peg 08
- B** Minifix 02
- E** Ø4,0x14mm Screw 08
- K** High Hinge Kit 04

6<sup>th</sup> Step

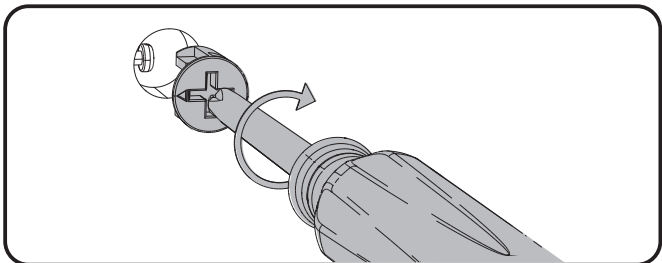
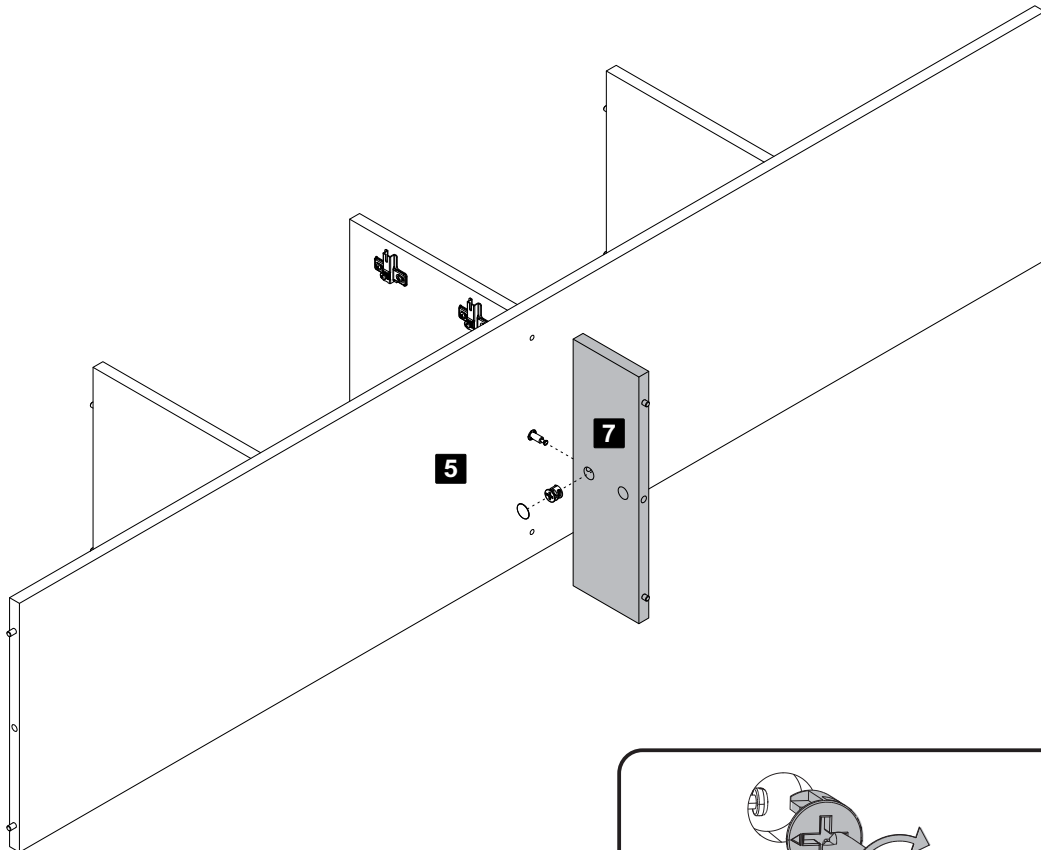



**C**  Minifix Cam **03**


**D**  Hole Cover **03**

**G**  Double Rod Minifix **01**

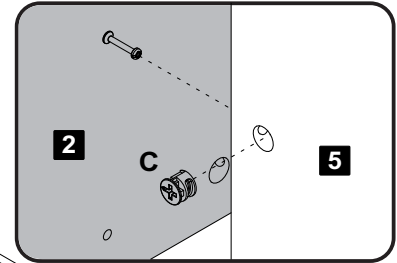
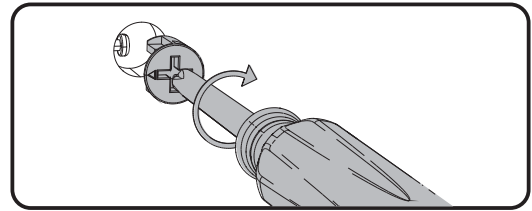
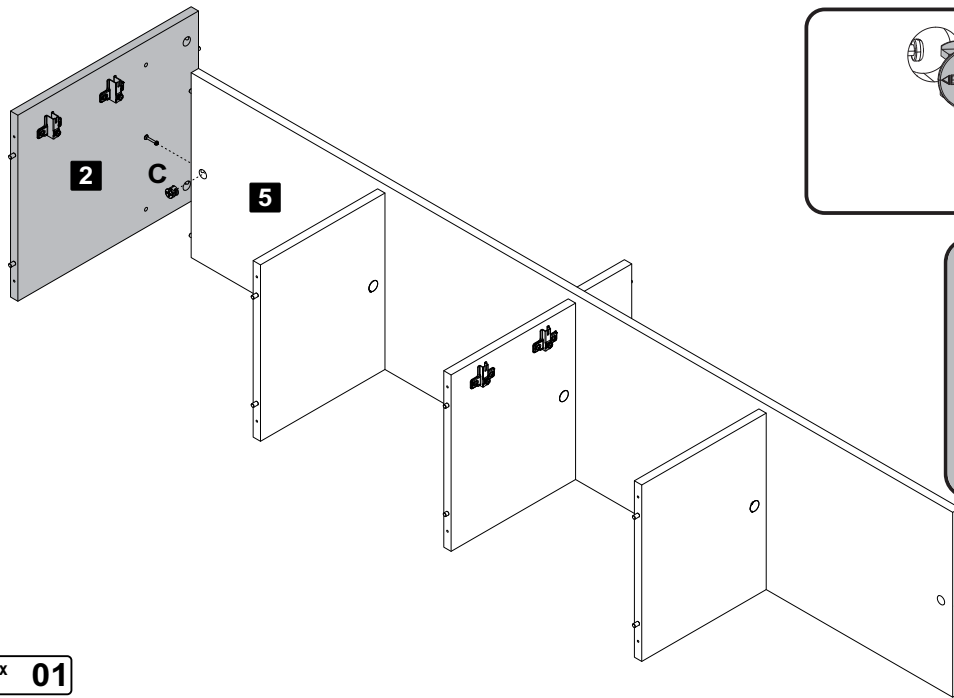
7<sup>th</sup> Step




**C**  Minifix Cam **01**

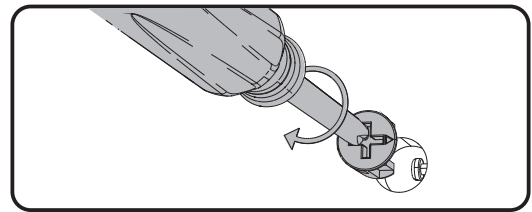
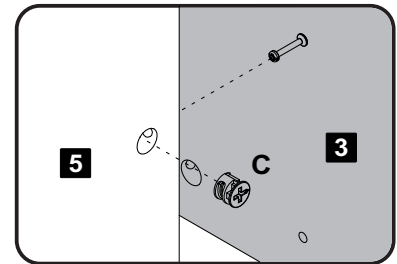
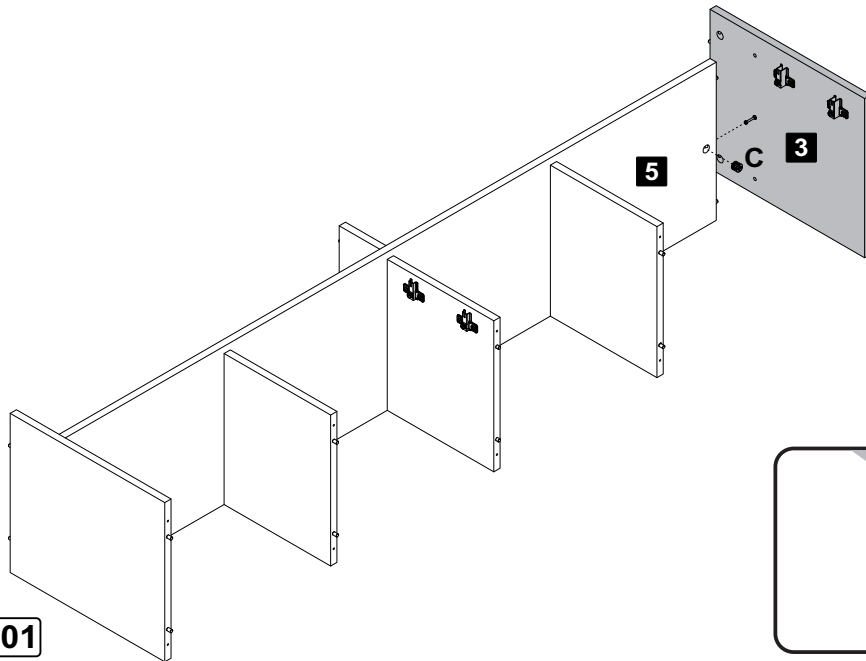
**D**  Hole Cover **01**


8<sup>th</sup> Step



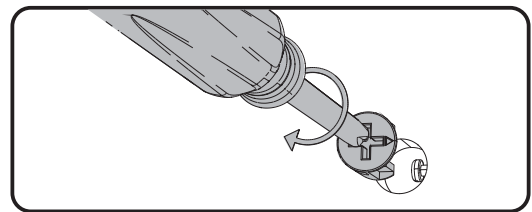
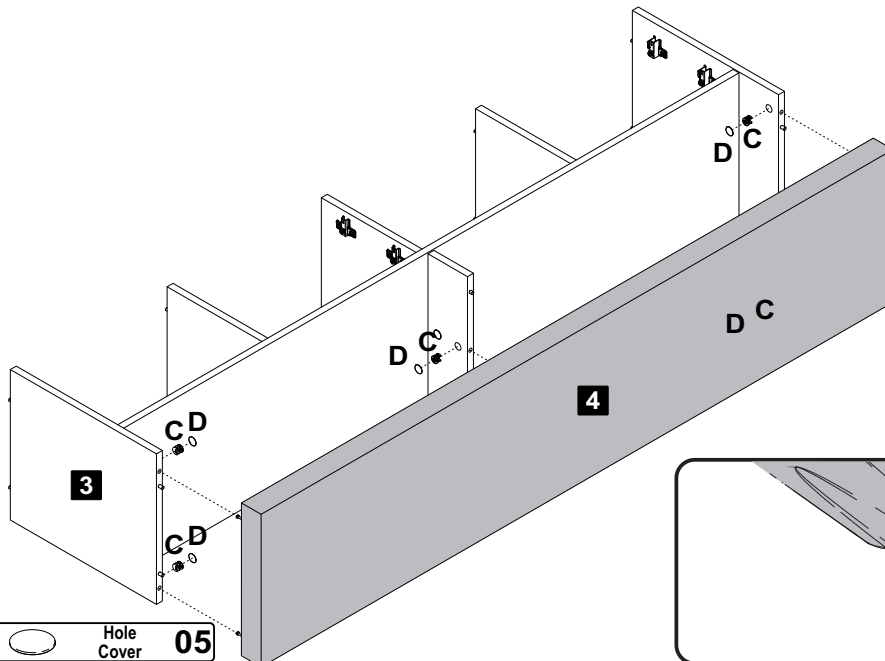
C  Minifix Cam 01


9<sup>th</sup> Step

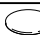


C  Minifix Cam 01

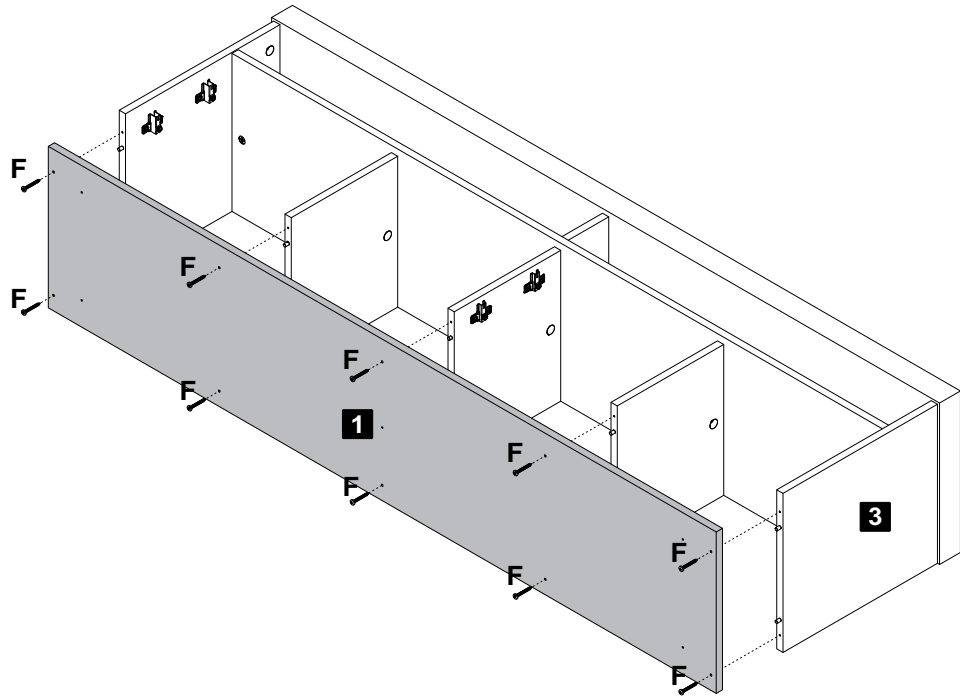
10<sup>th</sup> Step




C  Minifix Cam 05

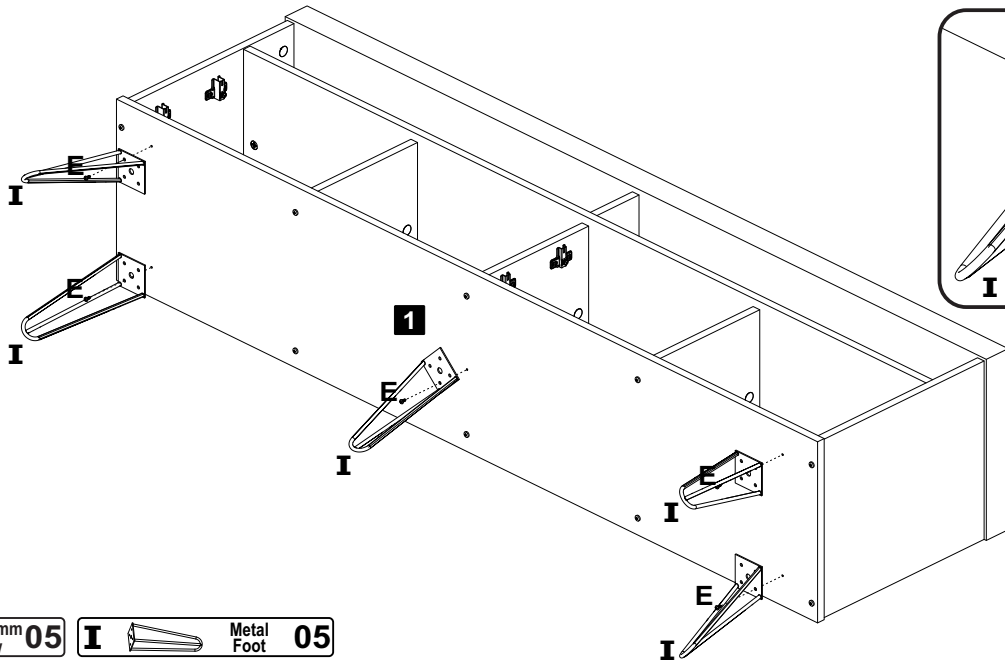
D  Hole Cover 05

# 11<sup>th</sup> Step



F  Ø3,5x40mm Screw 10

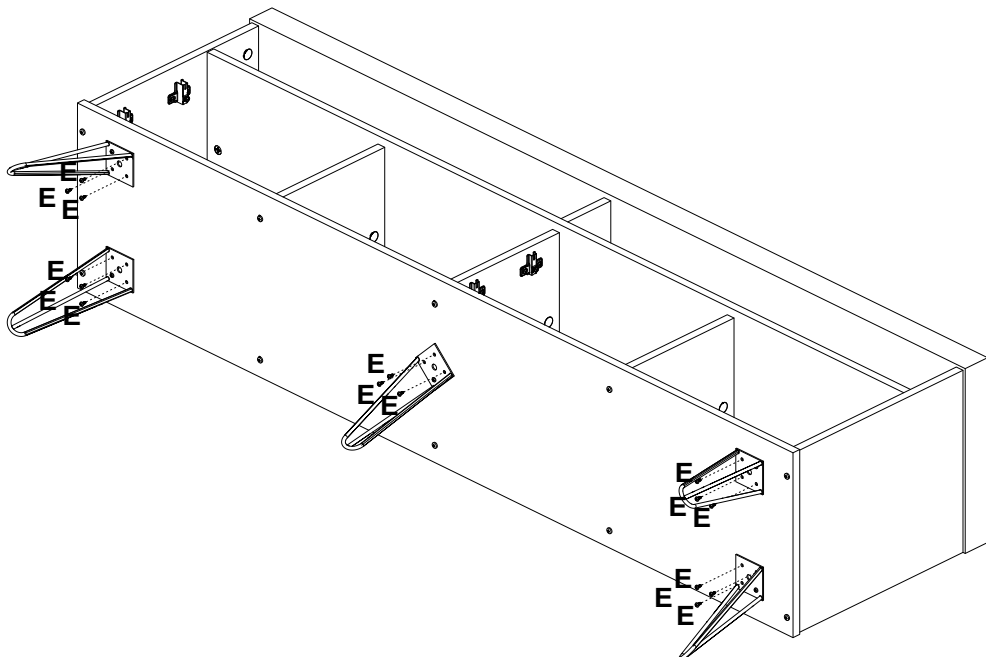
# 12<sup>th</sup> Step



E  Ø4,0x14mm Screw 05

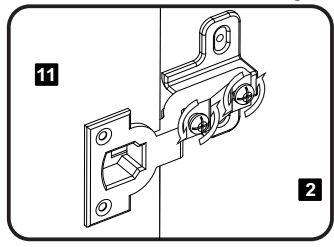
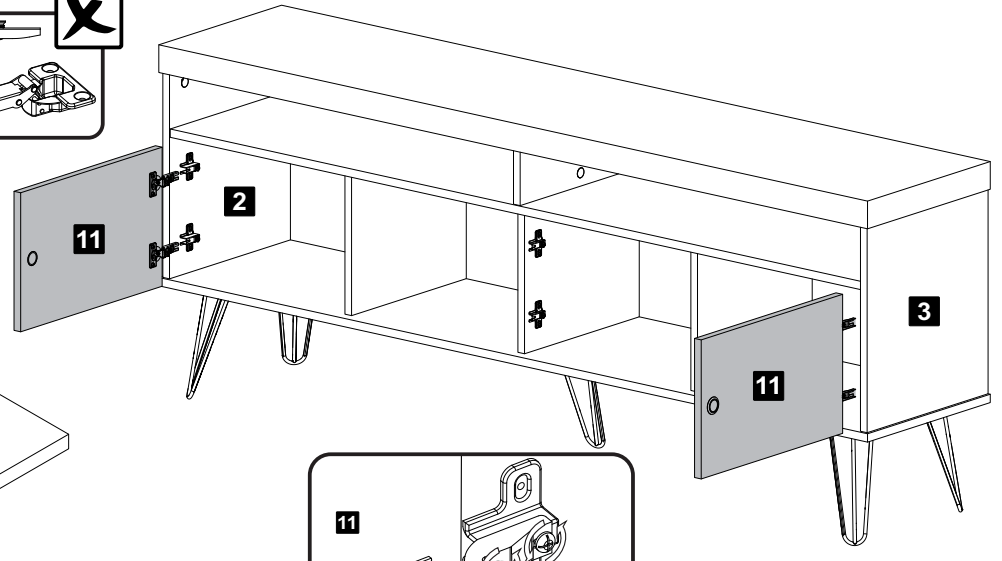
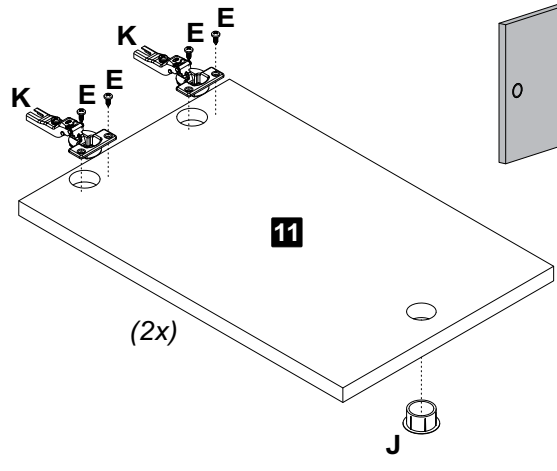
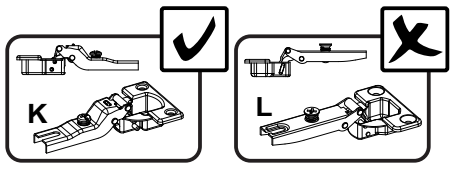
I  Metal Foot 05

# 13<sup>th</sup> Step



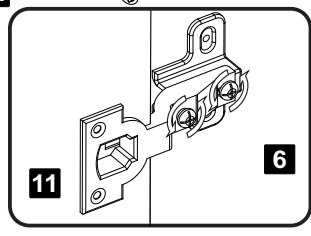
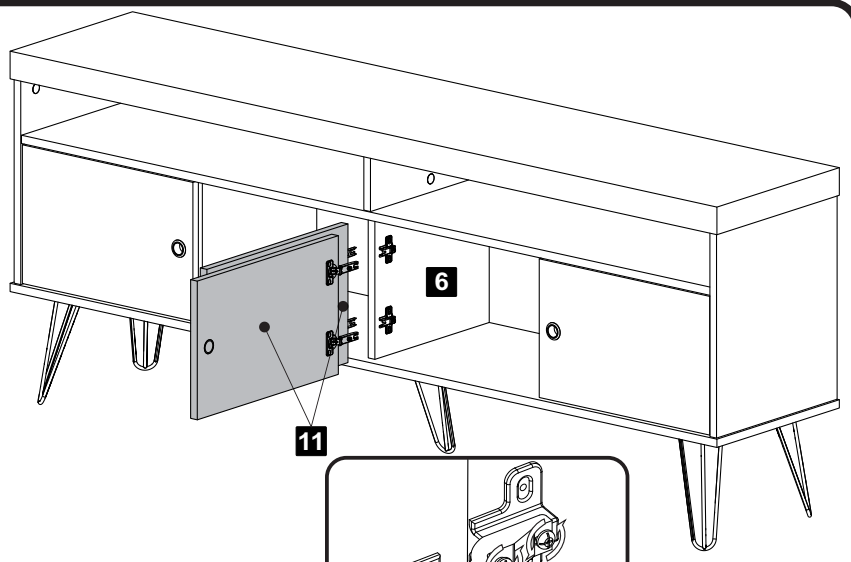
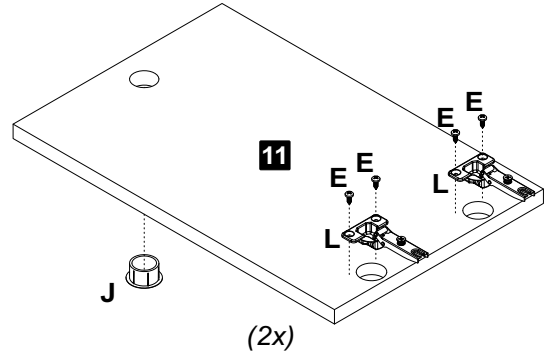
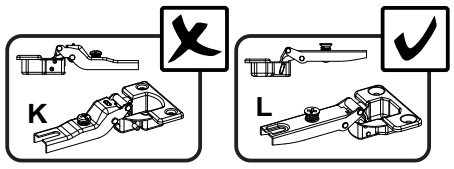
E  Ø4,0x14mm Screw 15

# 14<sup>th</sup> Step



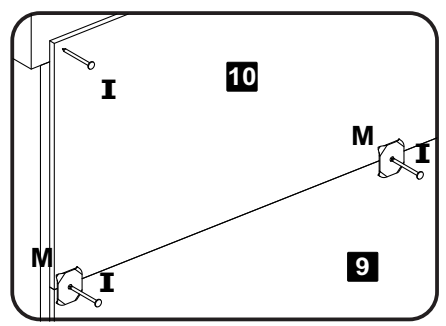
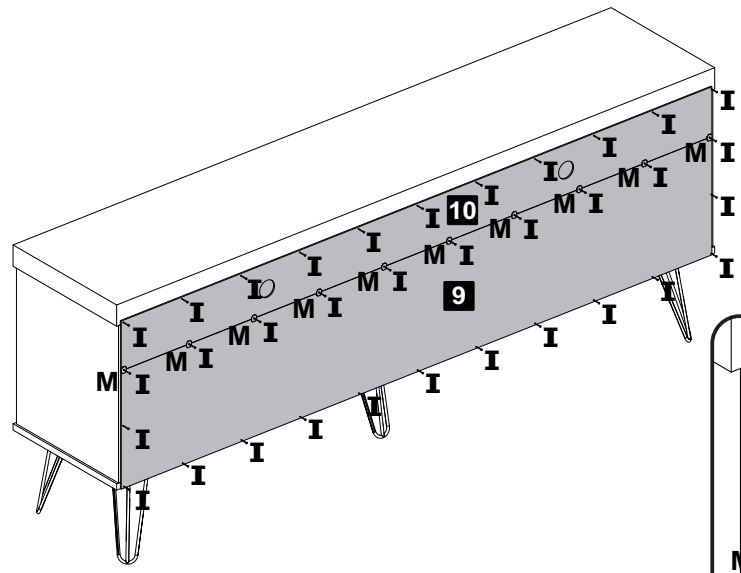
- E** Ø4,0x14mm Screw **08**
- J** Handle **02**
- K** High Hinge Kit **04**

# 15<sup>th</sup> Step



- E** Ø4,0x14mm Screw **08**
- J** Handle **02**
- L** Medium Hinge Kit **04**

# 16<sup>th</sup> Step



- I** Nail **37**
- M** Fixer **10**