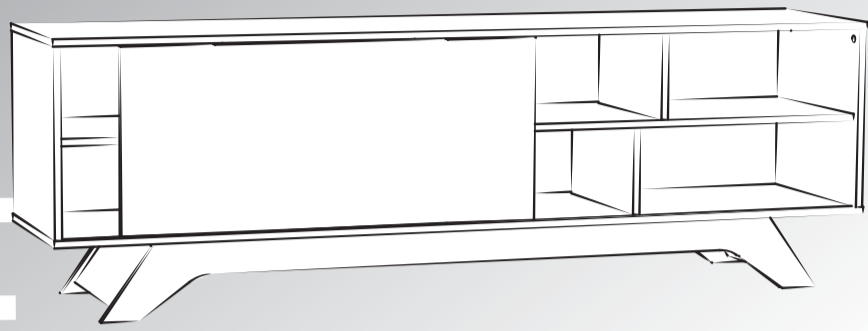


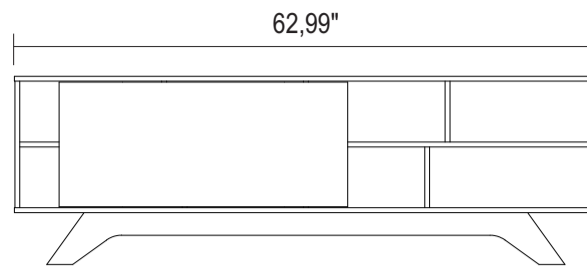
# User's Guide



## Niagara TV Stand

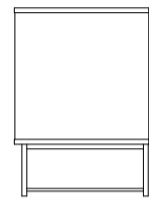
2.0 Version

www.artely.com.br



front

14,56"



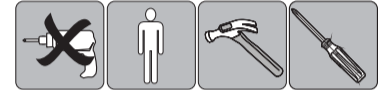
22,24"

side

### Conservation and Cleaning

Do not expose the product to sunlight, high temperatures and humidity. Do not drag objects across the surface of the unit (TV, DVD, stereo, decorative objects ...). Keep it in a fresh dry place. For cleaning, use a dry and soft cloth. Do not use abrasive materials or alcohol.

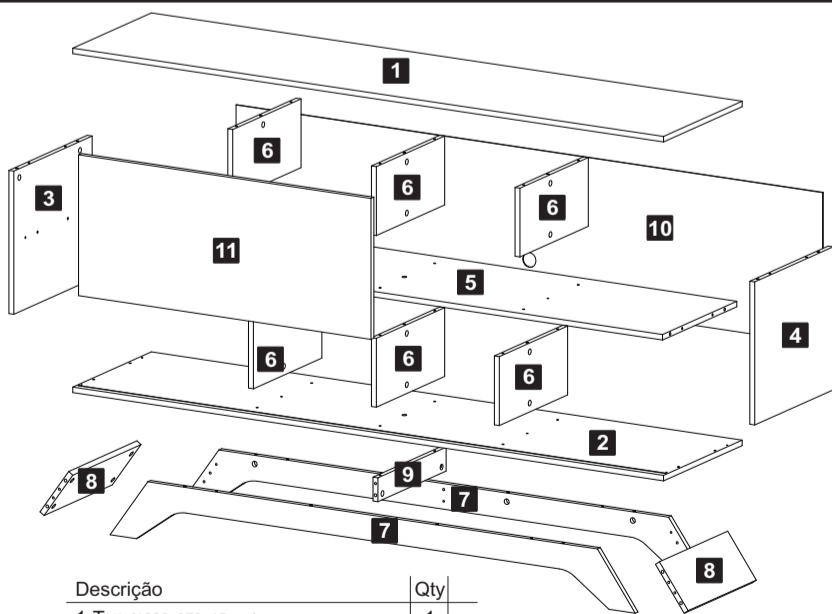
Assembly tools are not provided.



## Hardware List

<b>A</b>		Peg	<b>52</b>
<b>B</b>		Minifix	<b>35</b>
<b>C</b>		Minifix Cam	<b>39</b>
<b>D</b>		Hole Cover	<b>16</b>
<b>E</b>		Ø3,5x40mm CP Screw	<b>04</b>

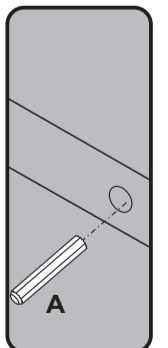
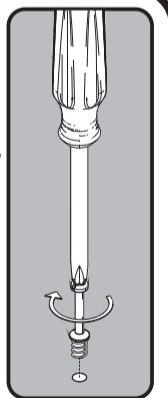
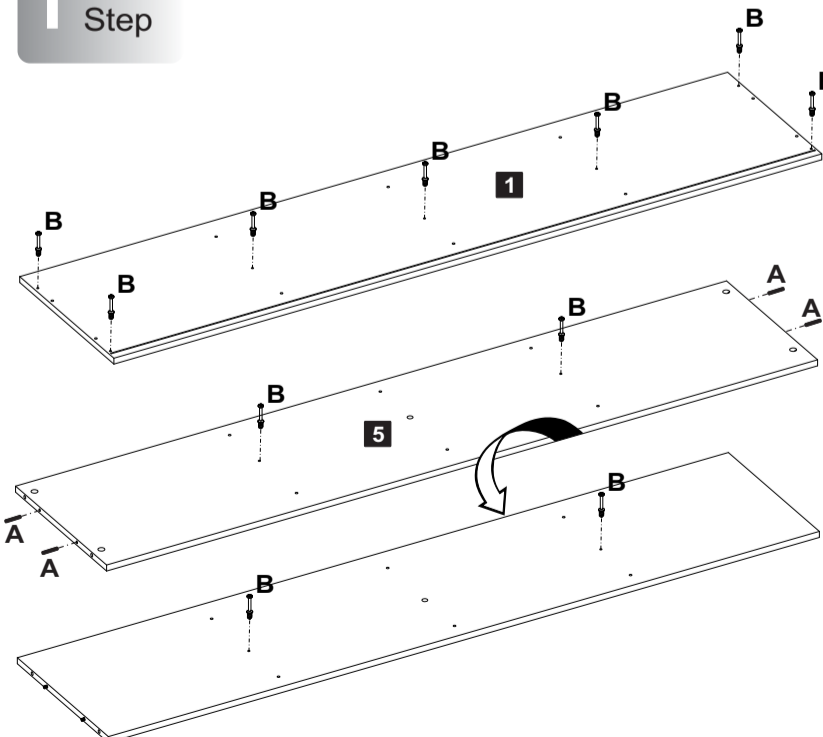
<b>G</b>		Foot	<b>04</b>
<b>J</b>		Double Minifix	<b>02</b>
<b>K1</b>		Sliding Door Kit Guide	
<b>K2</b>		Pulley	<b>01</b>
<b>K3</b>		Ø3,5x12mm CF Screw	
<b>L</b>		8x8 Nail	<b>30</b>



Descrição	Qty
1-Top (1600x370x15mm)	1
2-Base (1600x370x15mm)	1
3-Left side (375x368x15mm)	1
4-Right side (375x368x15mm)	1
5-Shelf (1567x344x15mm)	1
6-Partition (180x316x15mm)	6
7-Foot (1500x160x15mm)	2
8-Side baseboard (315x150x15mm)	2
9-Baseboard crosspiece (315x65x15mm)	1
10-Back (1587x205x3mm)	1
11-Door (791x370x15mm)	1

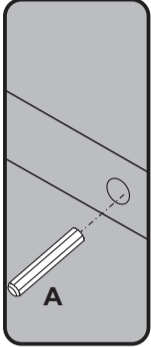
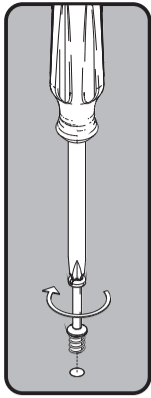
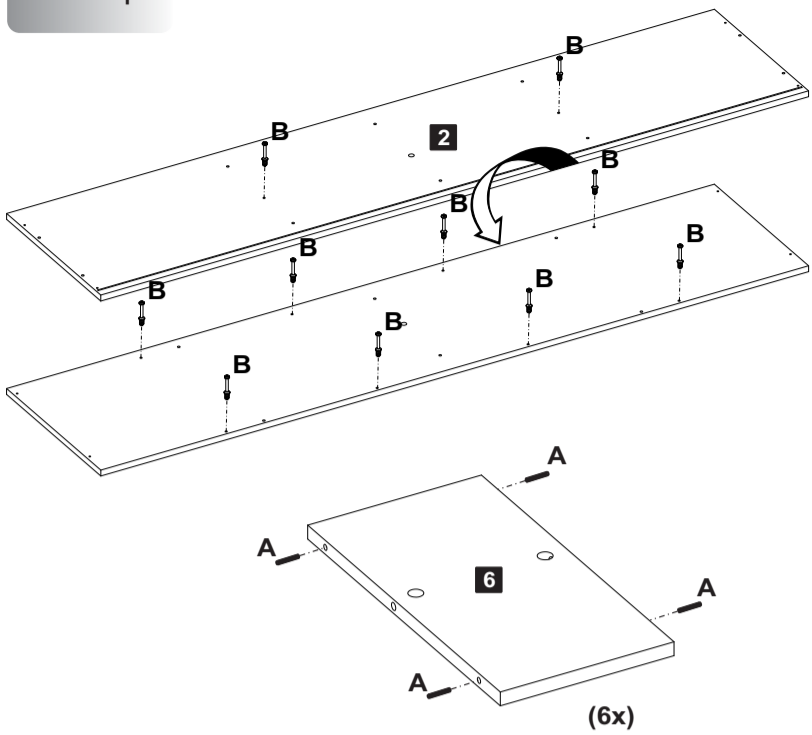


### 1<sup>st</sup> Step



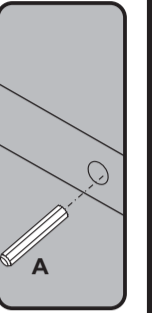
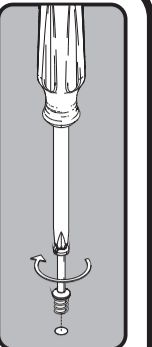
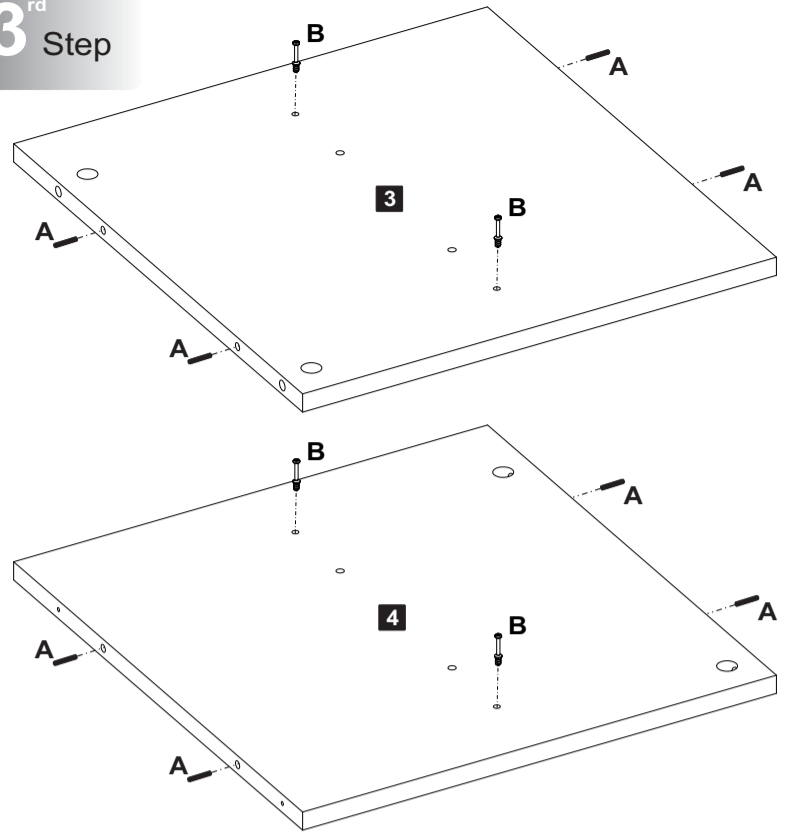
**A** Peg 04 **B** Minifix 11

2<sup>nd</sup> Step



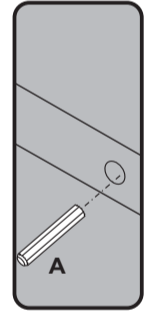
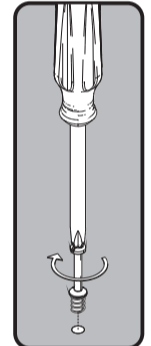
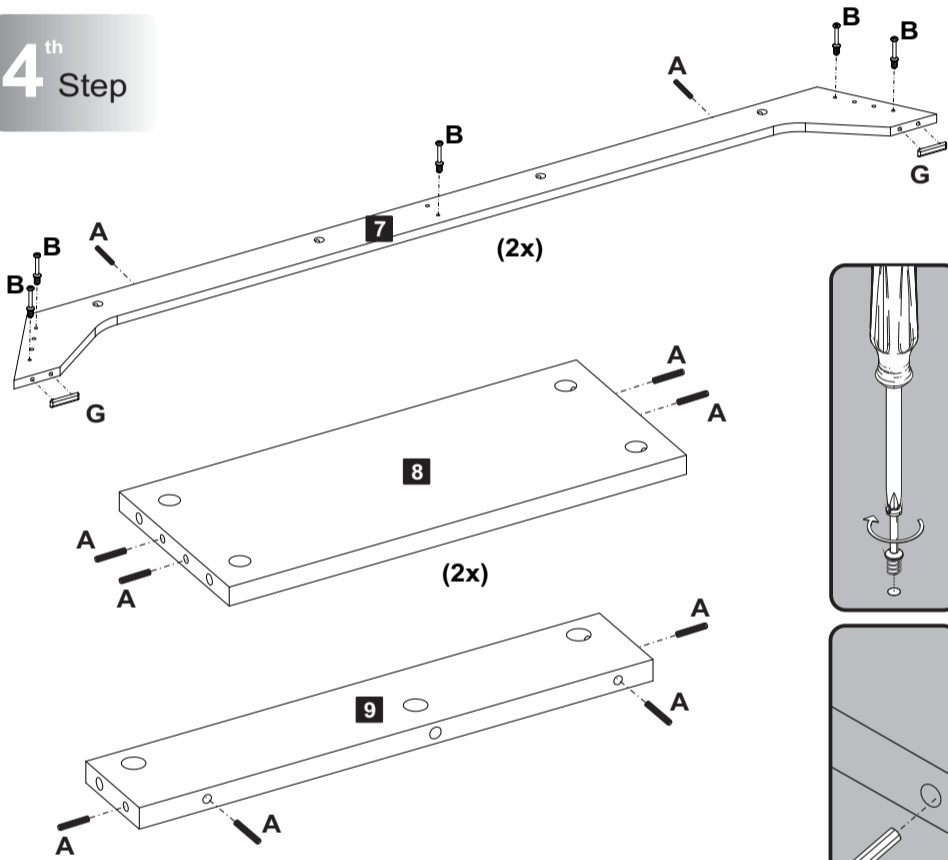
A Peg 24 B Minifix 10

3<sup>rd</sup> Step



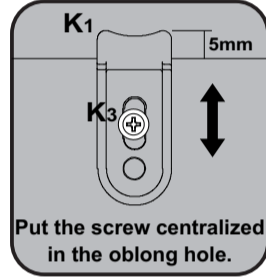
A Peg 08 B Minifix 04

4<sup>th</sup> Step

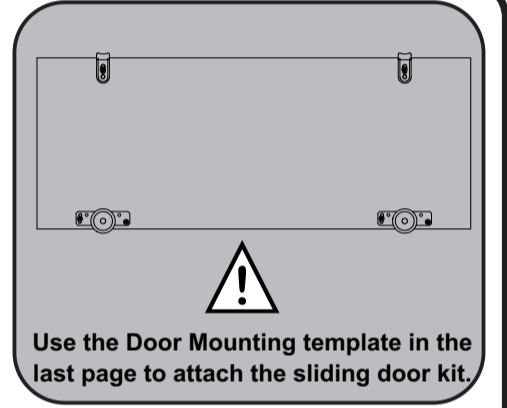


A Peg 16 B Minifix 10 G Foot 04

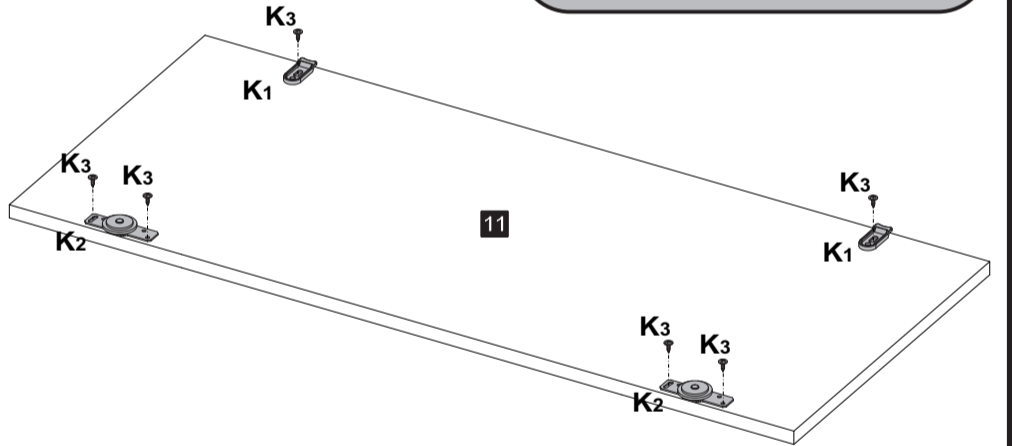
5<sup>th</sup> Step



Put the screw centralized in the oblong hole.

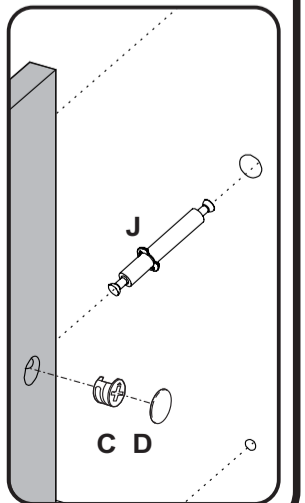
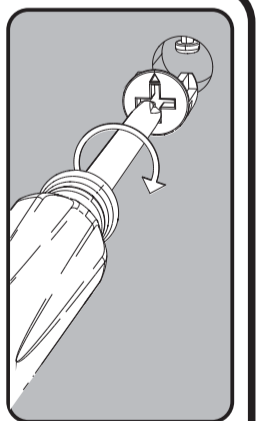
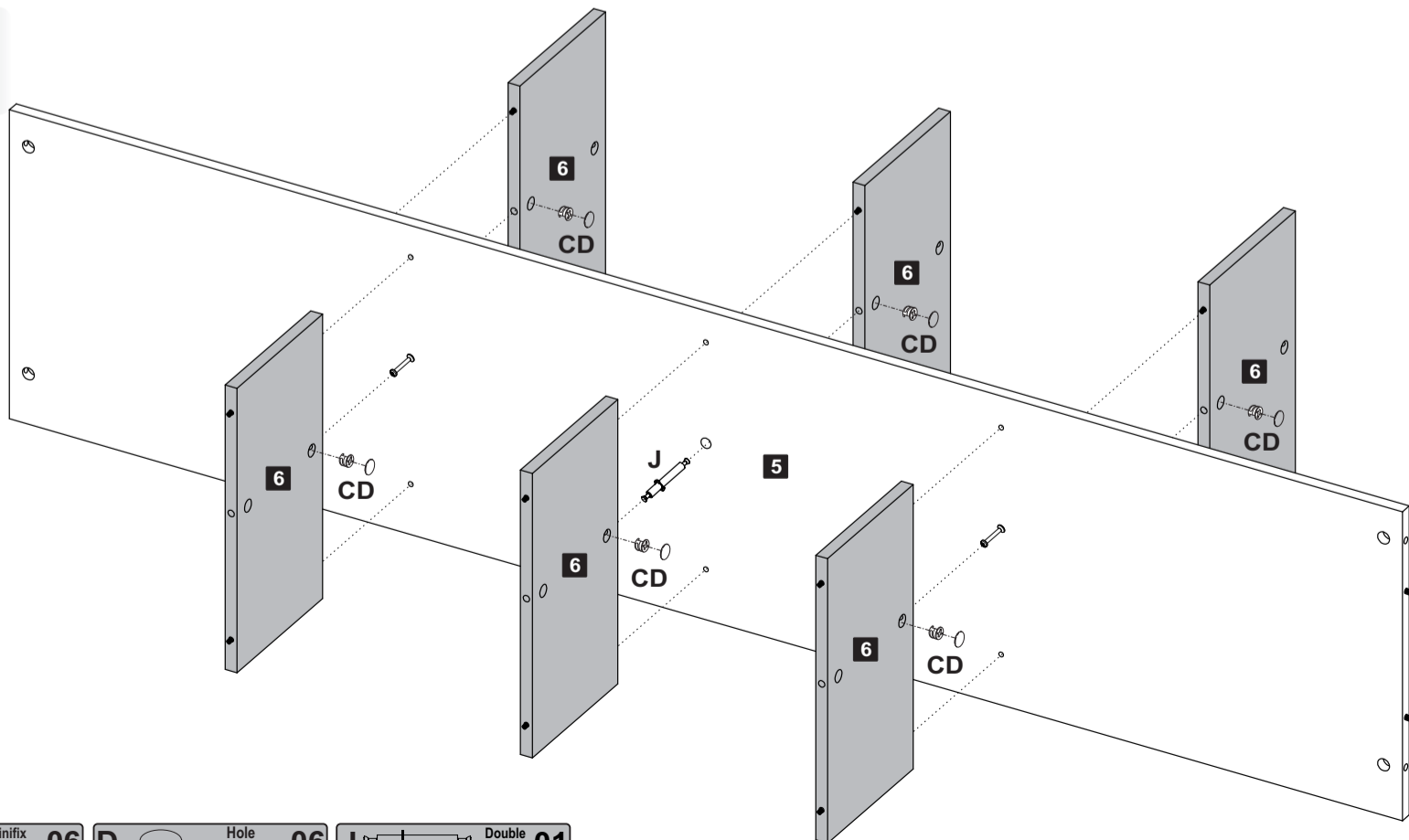


Use the Door Mounting template in the last page to attach the sliding door kit.



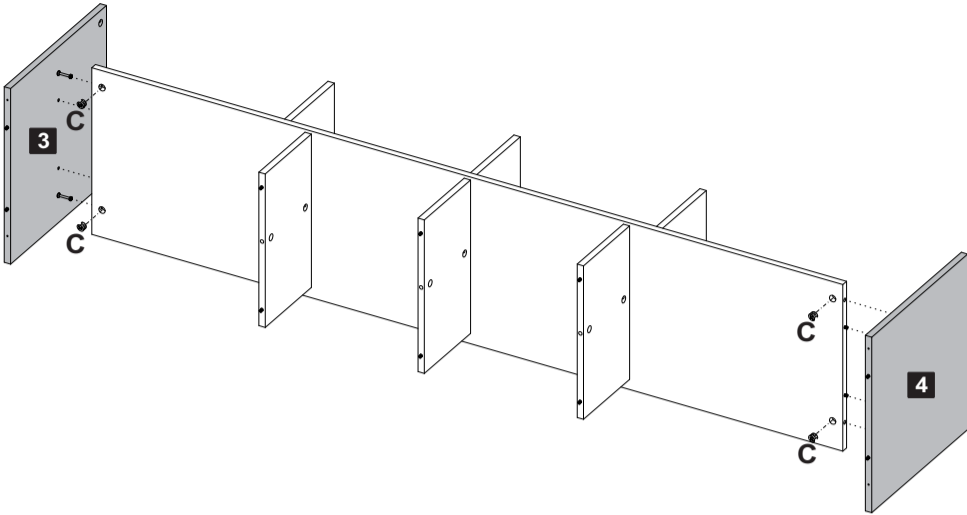
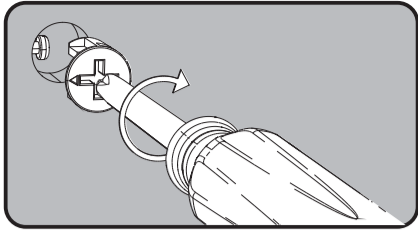
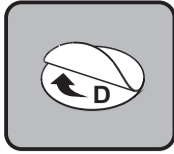
K1 Guide 02  
K2 Pulley 02  
K3 Ø3,5x12mm CF Screw 06

6<sup>th</sup> Step



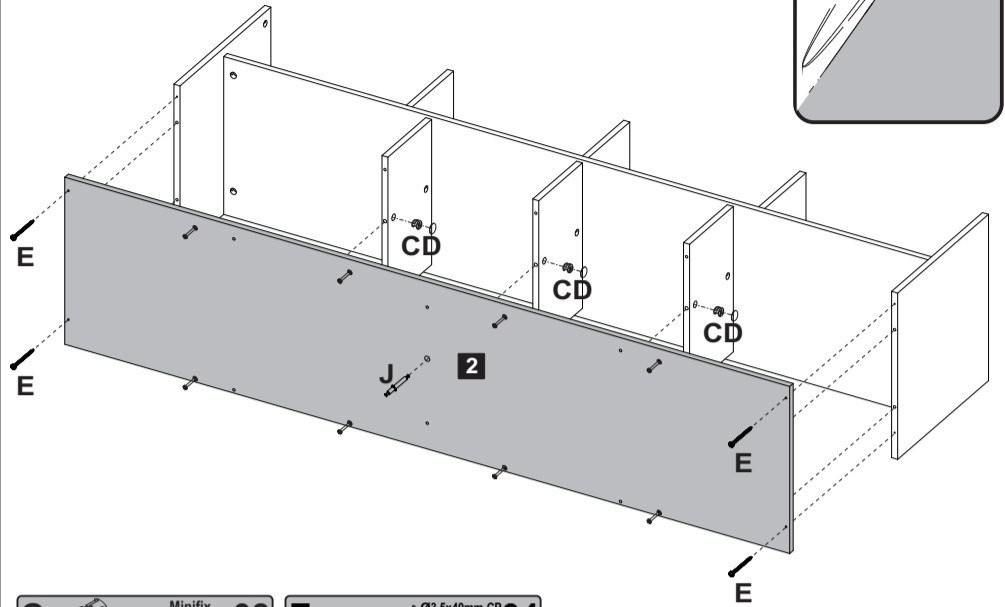
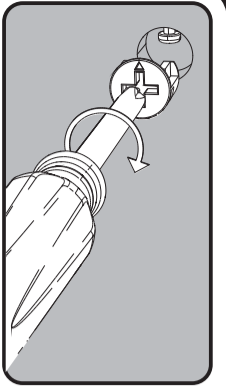
C Minifix Cam 06 D Hole Cover 06 J Double Minifix 01

7<sup>th</sup> Step



C Minifix Cam 04

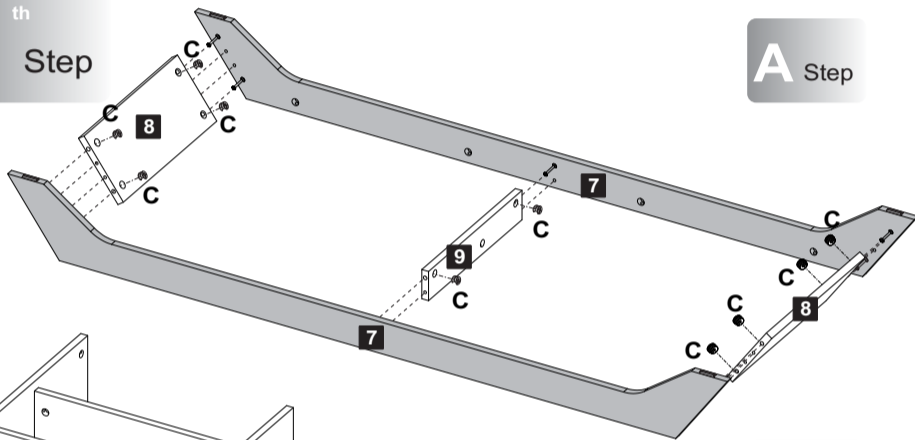
8<sup>th</sup> Step



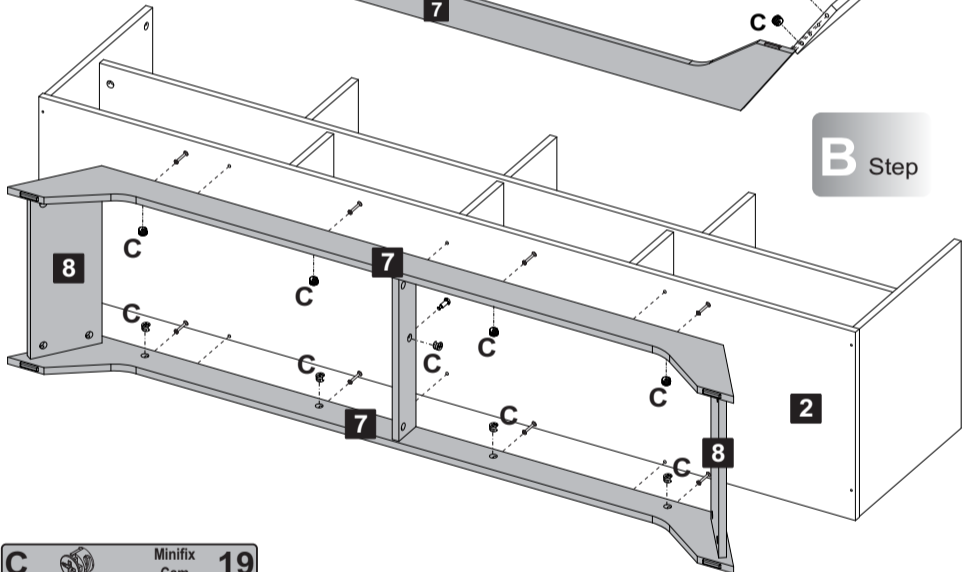
C Minifix Cam 03 E Ø3.5x40mm CP Screw 04  
D Hole Cover 03 J Double Minifix 01

9<sup>th</sup> Step

A Step



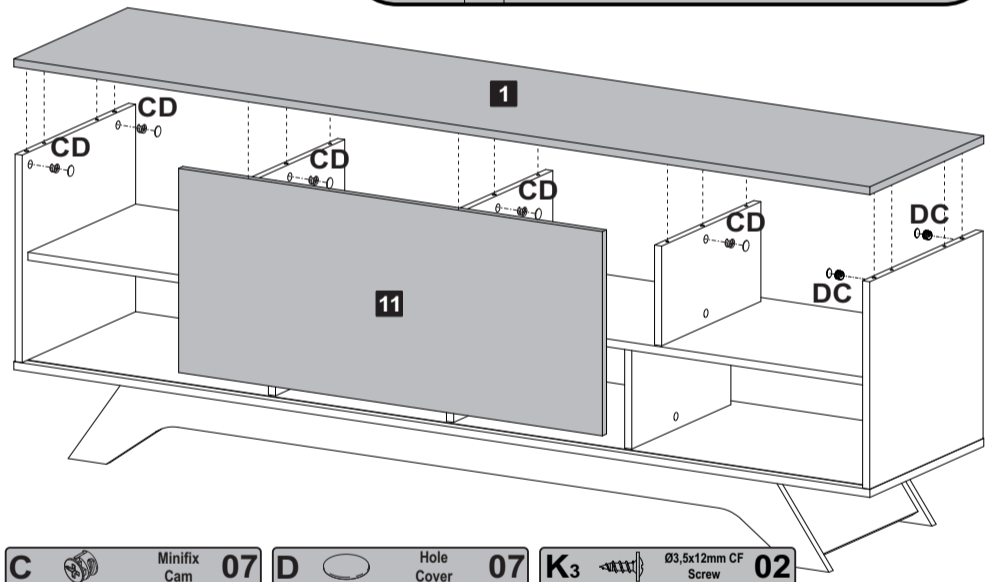
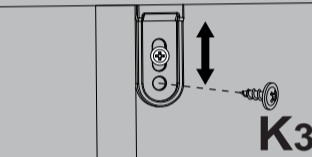
B Step



C Minifix Cam 19

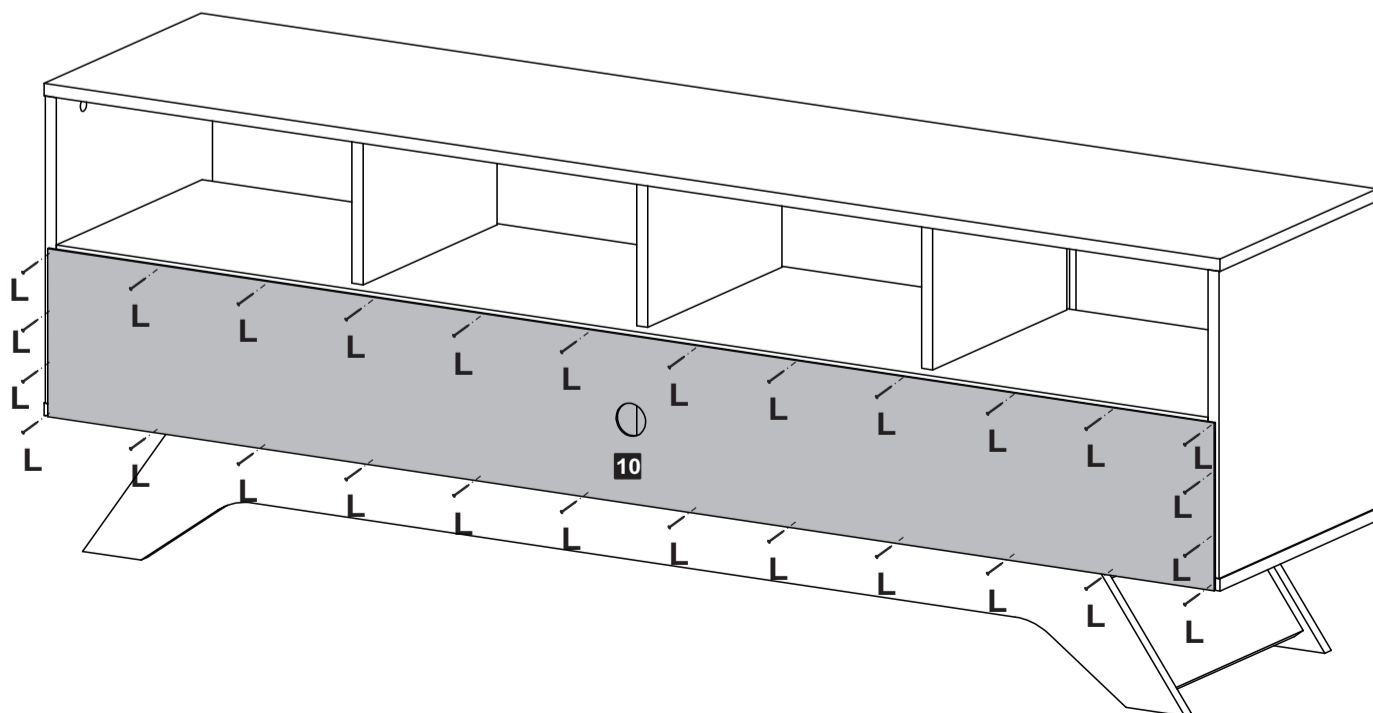
10<sup>th</sup> Step

Adjust the door's guides as it is sliding correctly. Then, put the back part.



C Minifix Cam 07 D Hole Cover 07 K3 Ø3.5x12mm CF Screw 02

11<sup>th</sup> Step



L 8x8 Nail 30



# Door Mounting template/Niagara TV Stand

