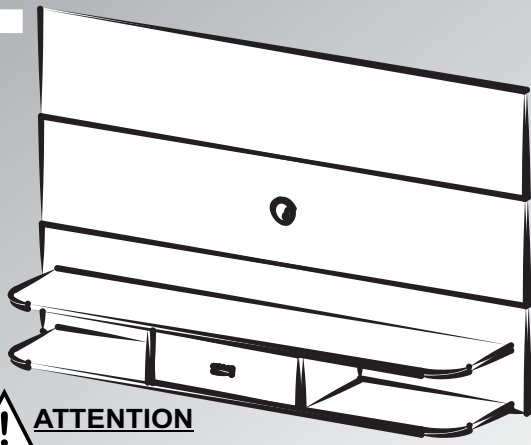
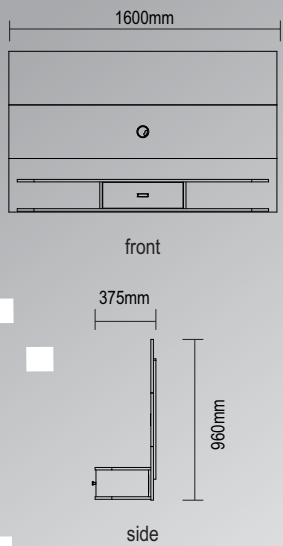
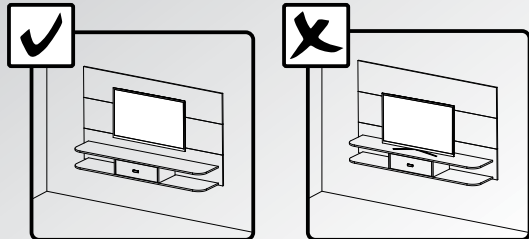


User's Guide



ATTENTION
This product is designed to put the TV on the panel not on the niche.



Boston Wall Panel

1.0 Version

Assembly tools are not provided.



Lista de Materiais

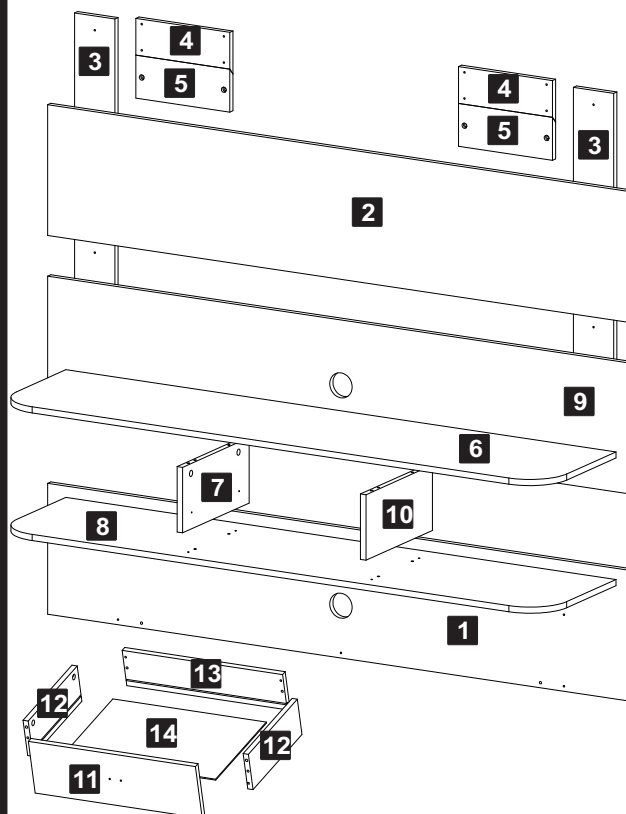
Lista de Materiales/ Hardware List

A		Peg	16
B		Minifix	08
C		Minifix Cam	08
D		Hole Cover	08
E		Ø3,5x40mm CP Screw	10
F		5,5x65mm 13mm Head Screw	04
G		Ø8mm bushing	04

Conservation and Cleaning

Do not expose the product to sunlight, high temperatures and humidity. Do not drag objects across the surface of the unit (TV, DVD, stereo, decorative objects ...)
Keep it in a fresh dry place.
For cleaning, use a dry and soft cloth. Do not use abrasive materials or alcohol.

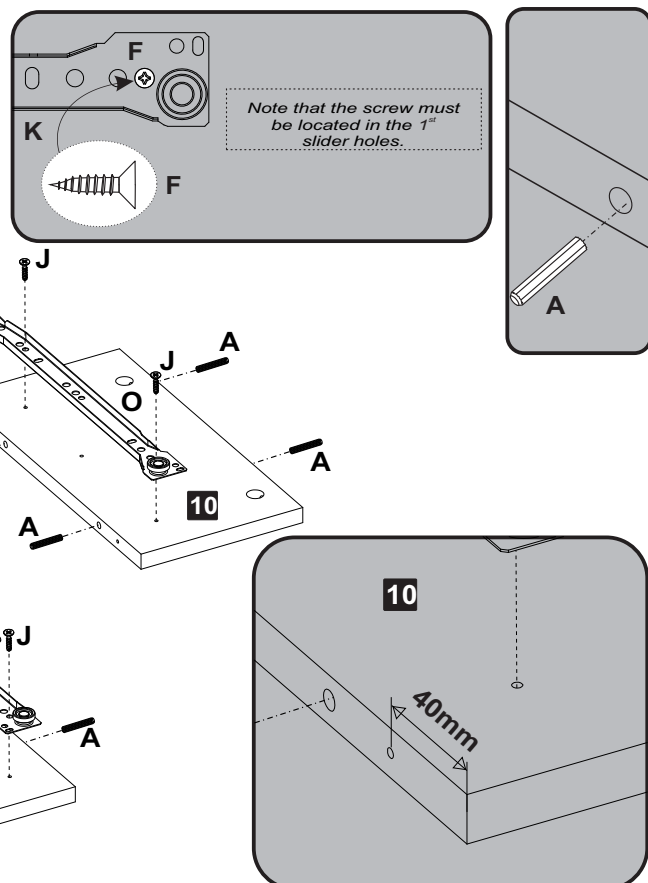
H		Straight plate	02
I		Ø60mm Wire Hole Cover	01
J		Ø3,5x12mm CC Screw	08
L		Ø4,0x14mm CP Screw	12
M		Junction	02
N		Slider 300mm	02
O		Slider 300mm	02
P		Ø3,5x25mm CF Screw	02
Q		Handle	01
R		Ø4,0x30mm CP Screw	24



Description	Qty
1-Lower panel (1600x320x15mm)	1
2-Upper panel (1600x320x15mm)	1
3-Bigger crosspiece (880x105x25mm)	2
4-Small crosspiece (438x105x25mm)	2
5-Wall crosspiece (438x105x25mm)	2
6-Top (1500x333x15mm)	1
7-Left side (160x314x15mm)	1
8-Shelf (1500x333x15mm)	1
9-Central panel (1600x320x15mm)	1
10-Right side (160x314x15mm)	1
11-Drawer front (479x154x15mm)	1
12-Drawer side (285x105x15mm)	2
13-Drawer back (460x105x15mm)	1
14-Drawer bottom (440x295x3mm)	1

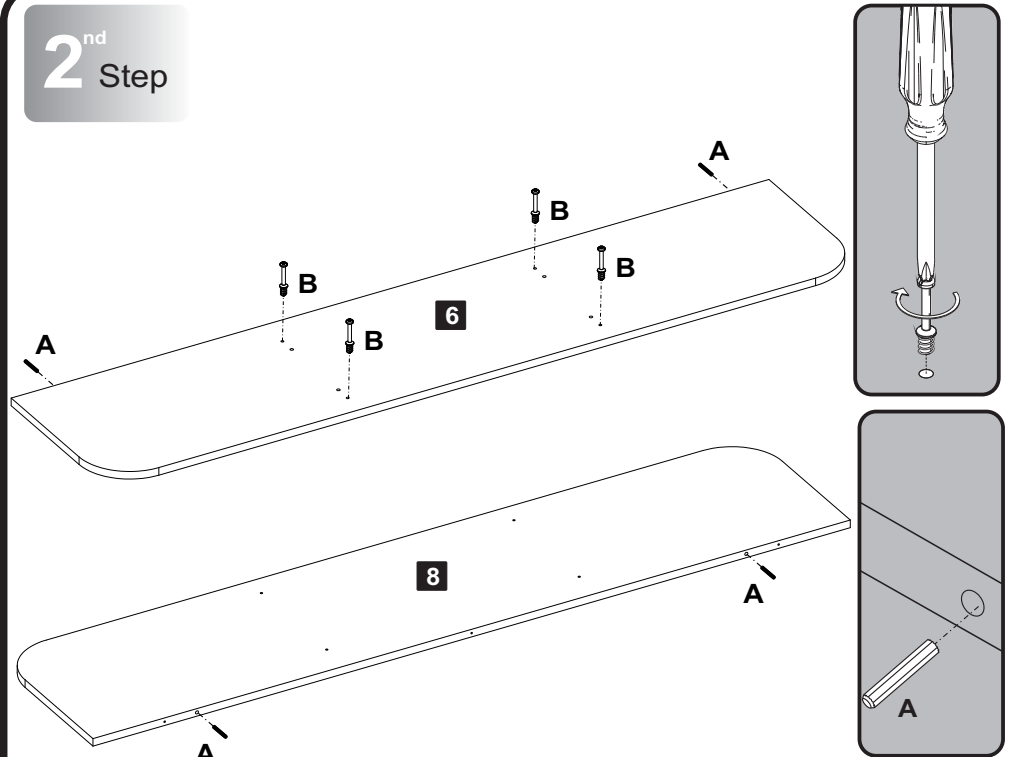
! Piece 01 -The number on the edge of the piece matches the manual.
-Use Alcohol Gel or Furniture Polish to remove the numbers.

1st Step



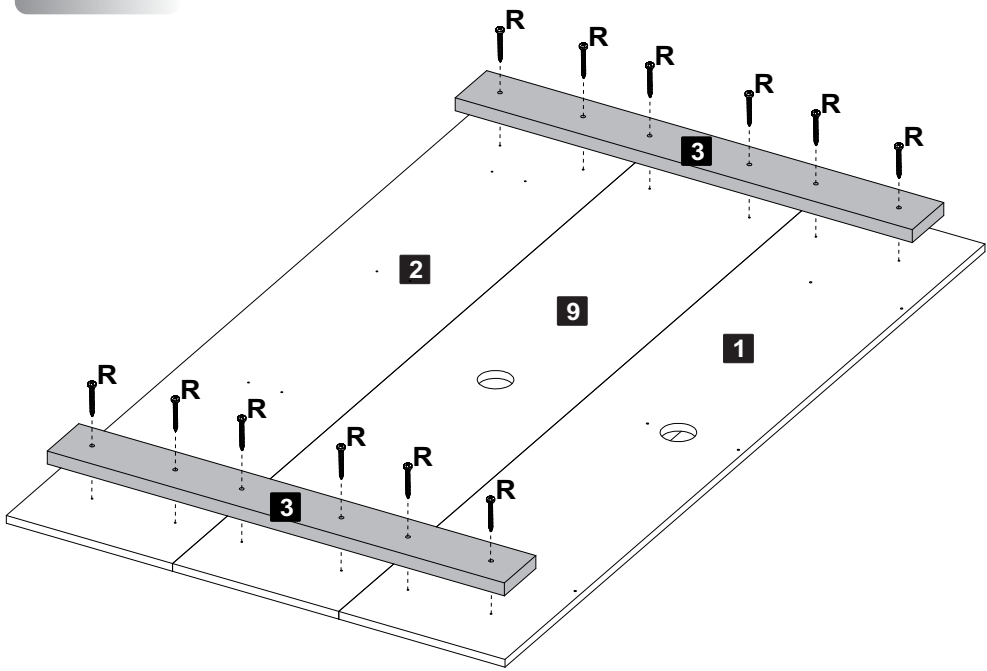
A Peg 08 F Ø3,5x12mm CC Screw 04 K Slider 300mm 02

2nd Step



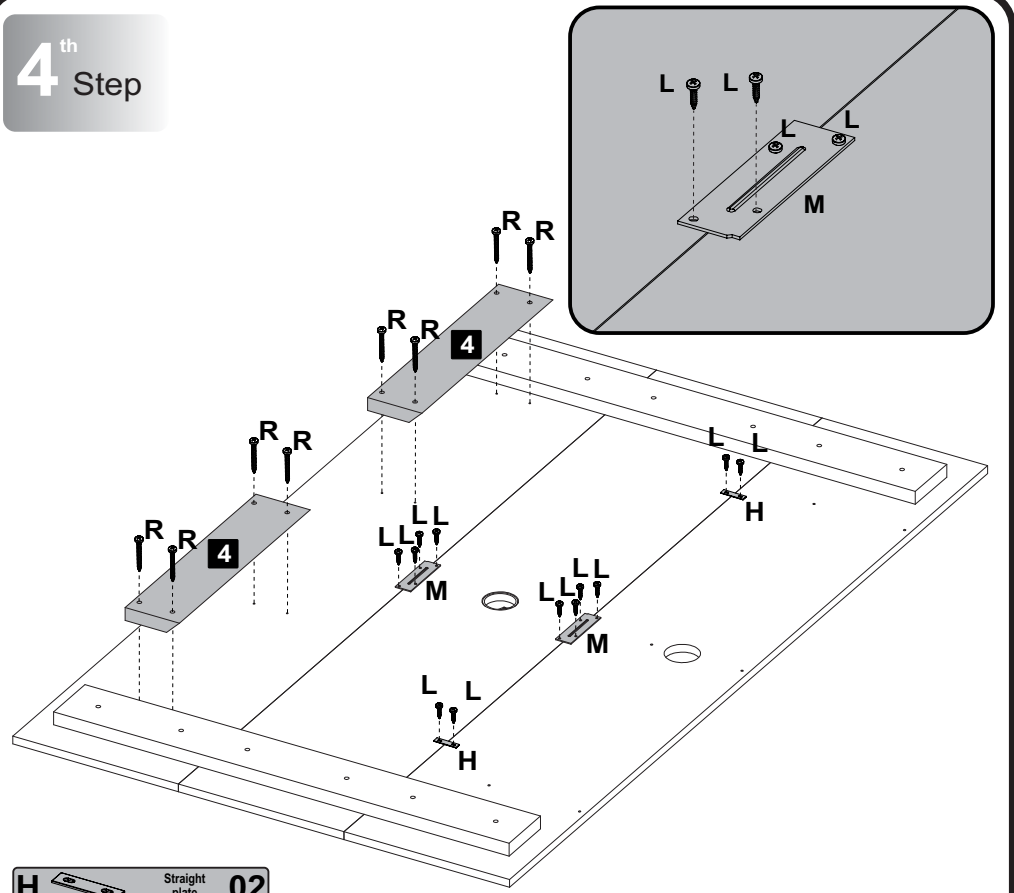
A Peg 04 B Minifix Ø7x30mm 04

3rd Step



R Ø4,0x30mm CP Screw 12

4th Step



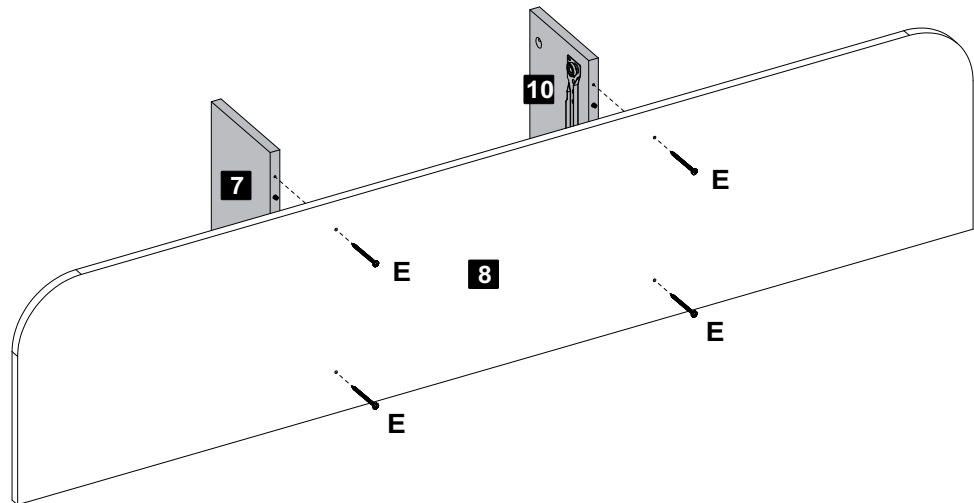
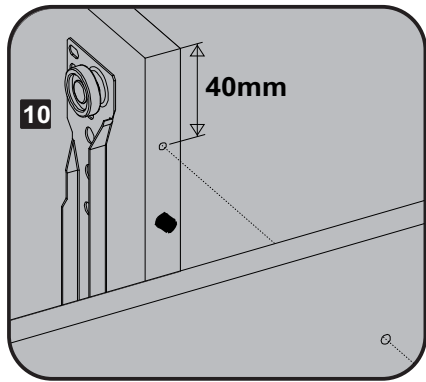
H Straight plate 02

L Ø4,0x14mm CP Screw 12

M Junction 02

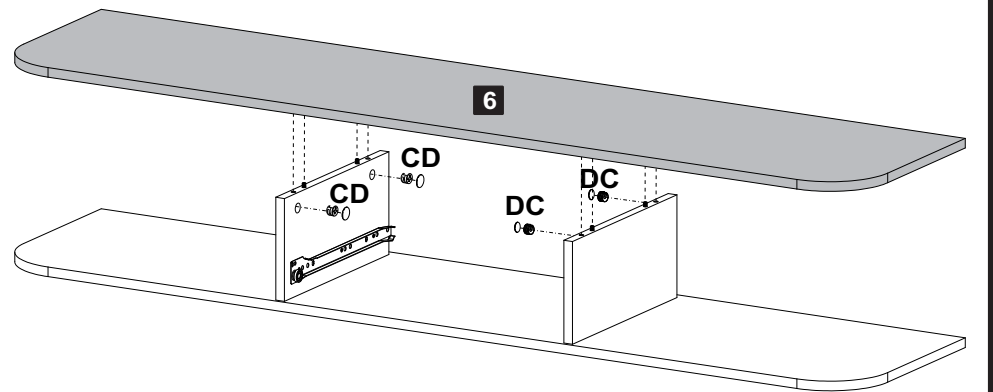
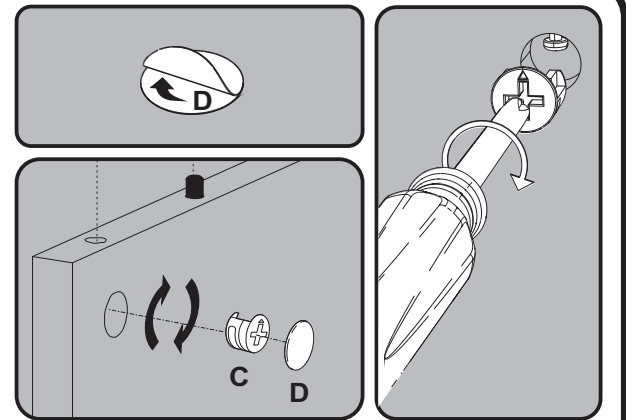
R Ø4,0x30mm CP Screw 08

5th Step



E Ø3,5x40mm CP Screw 04

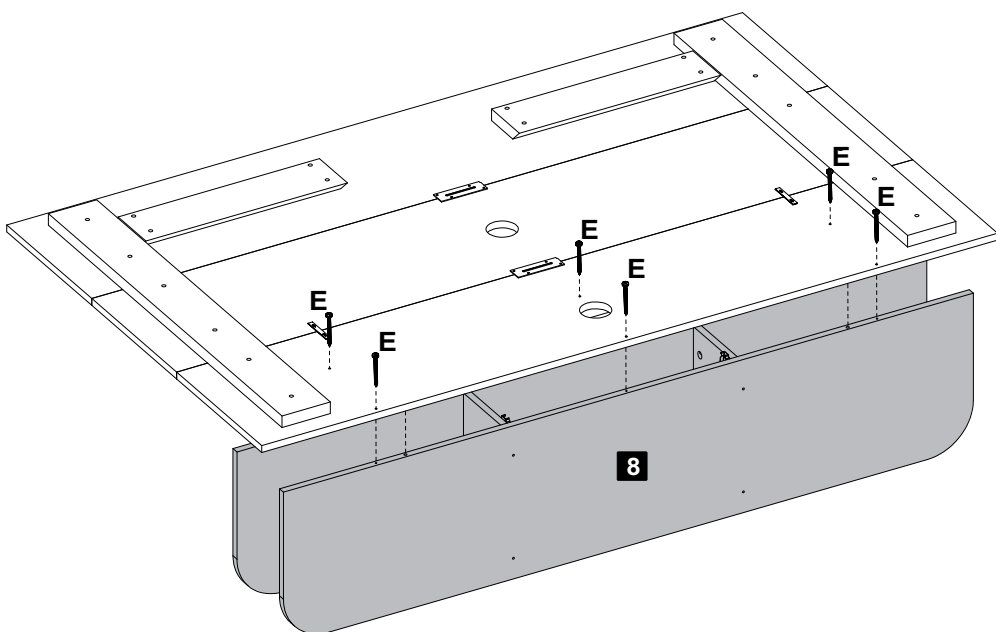
6th Step



C Minifix Cam 04

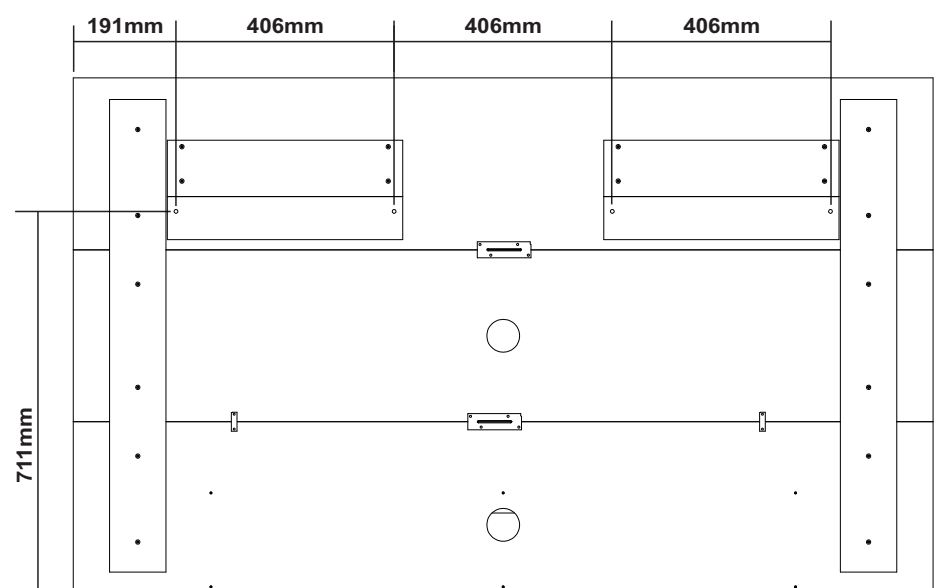
D Hole Cover 04

7th Step



E Parafuso Ø3,5x40mm CP 06

8th Step



9th Step

711mm

X = height you want from the floor
X + 711mm = height of the hole line in the wall

F 5.5x65mm Cab 13 Screw 04 **G** Ø8mm bushing 04 **I** Wire Hole Cover 01

10th Step

(2x) **A** Peg 04 **B** Minifix 04

11th Step

11.1

11.2

C Minifix Cam 02 **D** Hole Cover 02

12th Step

12.1

12.2

C Minifix Cam 02 **D** Hole Cover 02 **J** Ø3,5x12mm CC Screw 04
N Slider 02 **P** Ø3,5x25mm CF Screw 02 **Q** Handle 01

13th Step

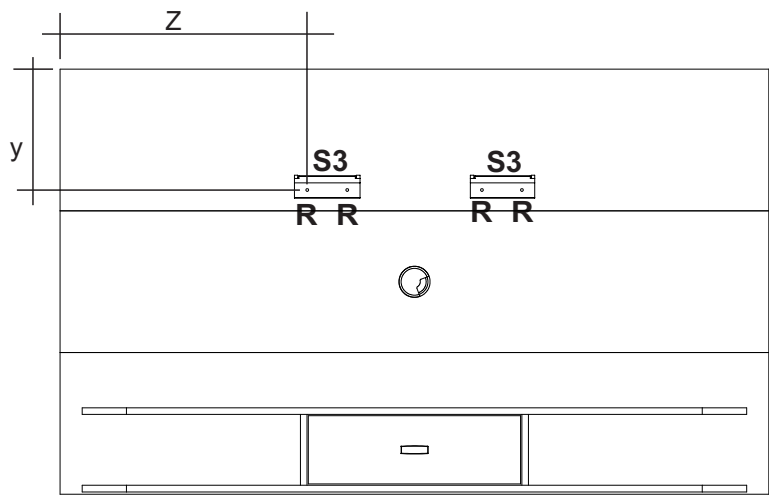
14th Step

TV Support Kit

S	S1 35x77mm	S2 48x28mm	S3 100x56mm	02
S6			04	
S7			04	

! To make it easier to attach the TV support, we send 2 screw models that match the most commonly used TVs. If neither model fits your TV properly, purchase the compatible screw from any hardware store. To prevent damage to your TV, do not over tighten the screws.

15th Step



R



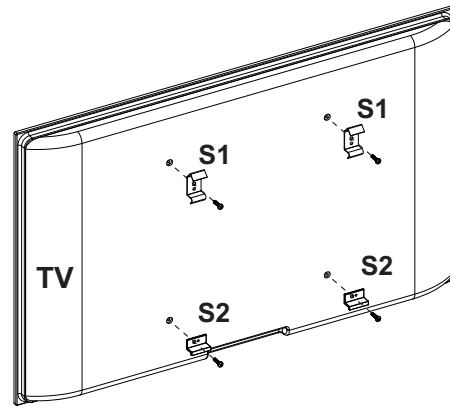
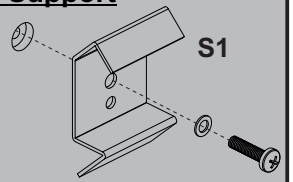
Use the VESA Standard from the TV manual to calculate the centering and height of the TV on the panel.

- $\varnothing 4,6 \times 30\text{mm}$ CP Screw **04**
- TV Support Kit **02**

16th Step

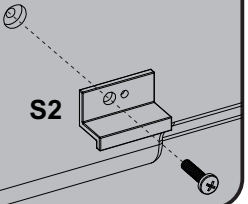
Upper Support

Use the screw indicated in the TV manual S6 / S7(VESA).



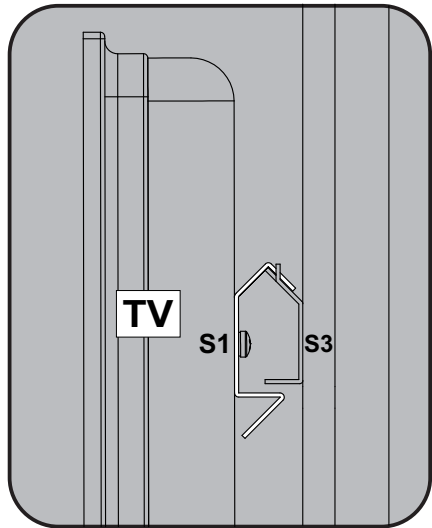
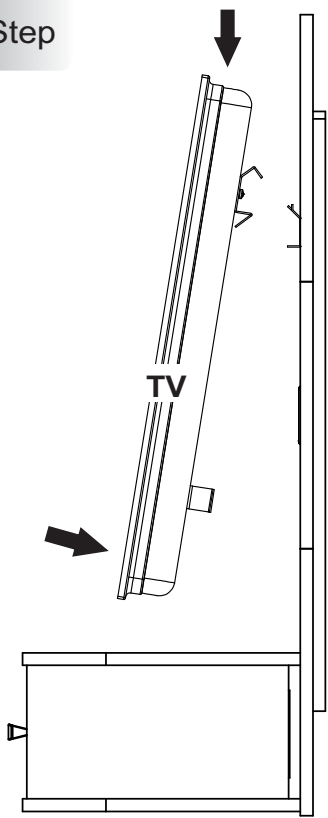
Lower Support

Use the screw indicated in the TV manual S6 / S7(VESA).



- TV Support Kit **02**
- TV Support Kit **02**

17th Step



18th Step

