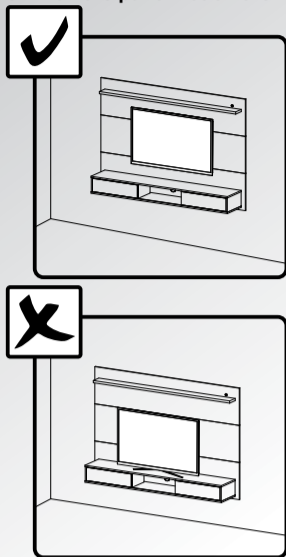
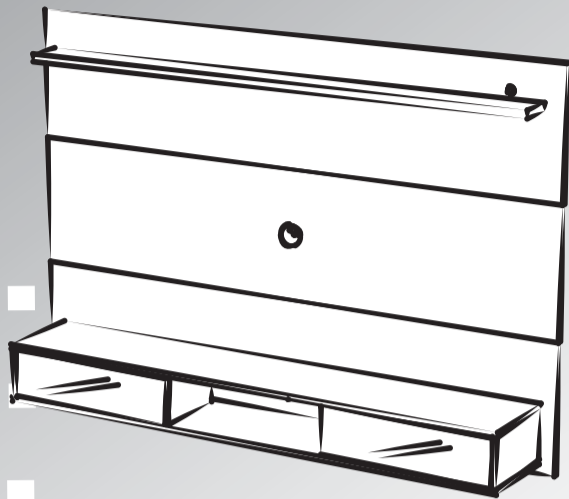


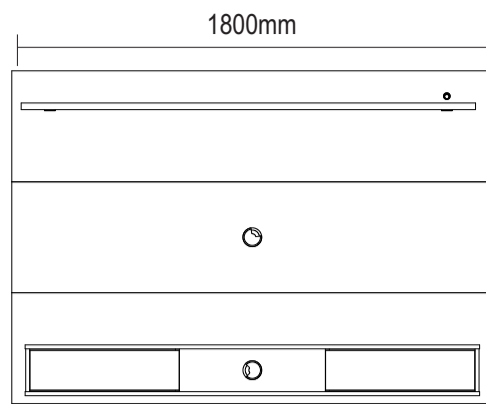
# User's Guide

**ATTENTION**  
This product is designed to put the TV on the panel not on the niche.

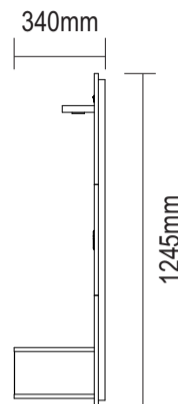


## Vermont Wall Panel

1.0 Version



front



side

### Conservation and Cleaning

Do not expose the product to sunlight, high temperatures and humidity. Do not drag objects across the surface of the unit (TV, DVD, stereo, decorative objects ...). Keep it in a fresh dry place. For cleaning, use a dry and soft cloth. Do not use abrasive materials or alcohol.

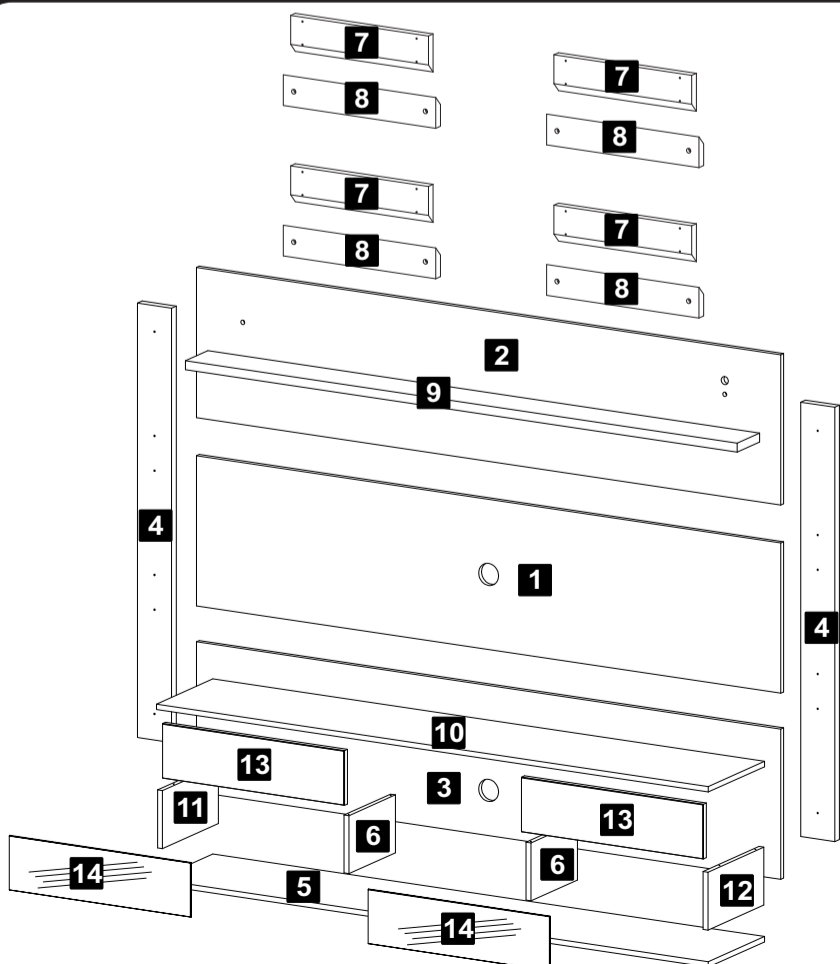
Assembly tools are not provided.



### Hardware List

<b>A</b>		Peg	<b>25</b>
<b>B</b>		Minifix	<b>06</b>
<b>C</b>		Minifix Cam	<b>06</b>
<b>D</b>		Hole Cover	<b>06</b>
<b>E</b>		Double Sided Tape	<b>20</b>
<b>G</b>		Ø3,5x40mm CP Screw	<b>24</b>
<b>H</b>		Ø4,0x14mm CP Screw	<b>08</b>
<b>I</b>		5,5x65mm 13mm Head Screw	<b>08</b>
<b>J</b>		Ø4,0x30mm CP Screw	<b>32</b>

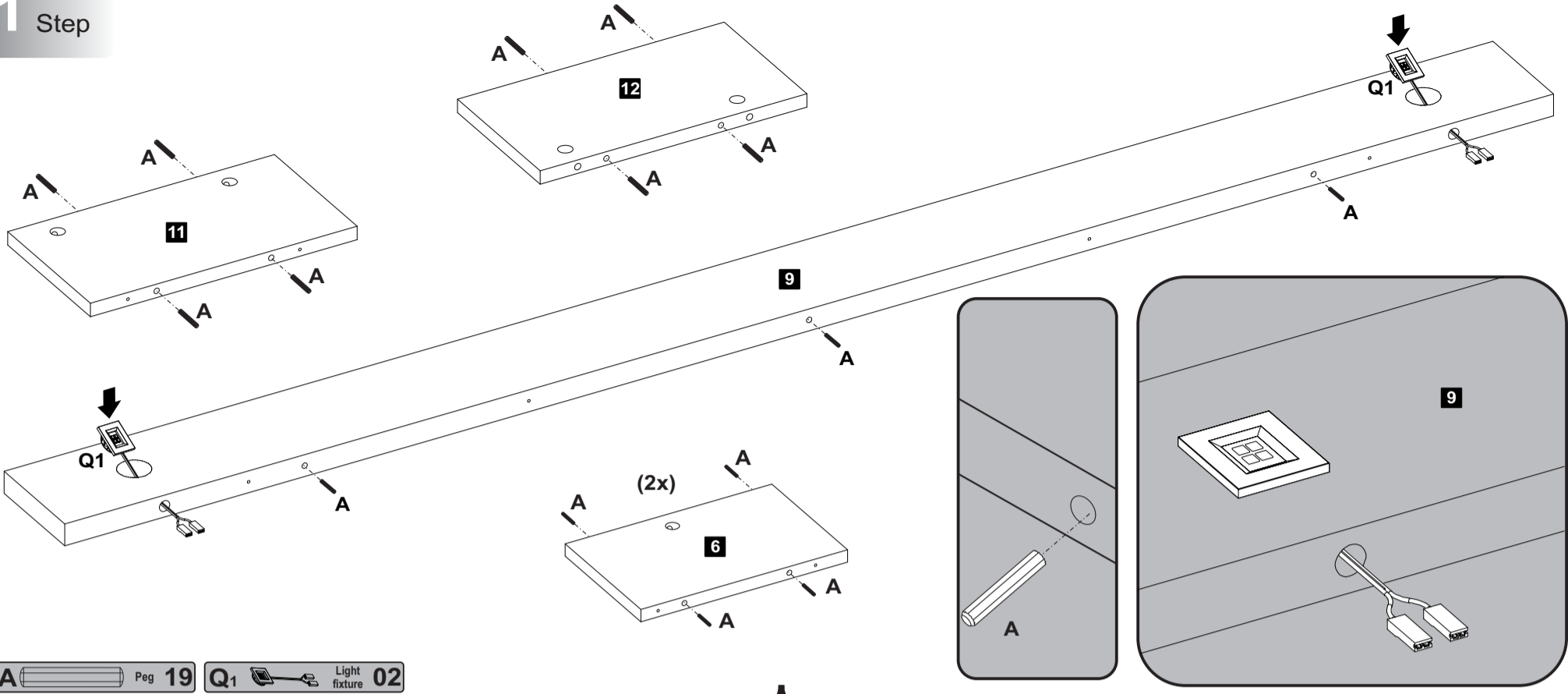
<b>N</b>		Ø8mm bushing	<b>08</b>
<b>O</b>		Ø60mm Wire Hole Cover	<b>02</b>
<b>P</b>		Junction	<b>02</b>
<b>Q</b>		Light fixture Kit 2000mm Bivolt Product 100/240v	<b>01</b>
<b>R</b>		Sliding Door Kit Guide Pulley Ø3,5x12mm CF Screw	<b>02</b>



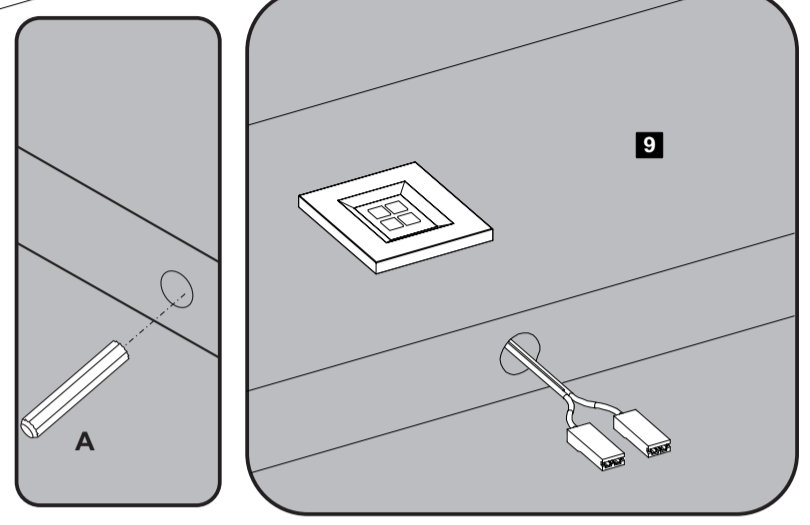
**!** Piece 01 → -The number on the edge of the piece matches the manual.  
-Use Alcohol Gel or Furniture Polish to remove the numbers.

Description	Qty
1-Central panel (1800x415x15mm)	1
2-Upper panel (1800x415x15mm)	1
3-Back panel (1800x415x15mm)	1
4-Crosspiece (1200x105x25mm)	2
5-Base (1700x300x15mm)	1
6-Partition (160x243x15mm)	2
7-Panel ruler (425x105x25)	4
8-Wall ruler (470x85x25mm)	4
9-Shelf (1700x120x25mm)	1
10-Top (1700x300x15mm)	1
11-Left side (160x298x15mm)	1
12-Right side (160x298x15mm)	1
13-Door (577x154x15mm)	2
14-Mirror (575x152x3mm)	2

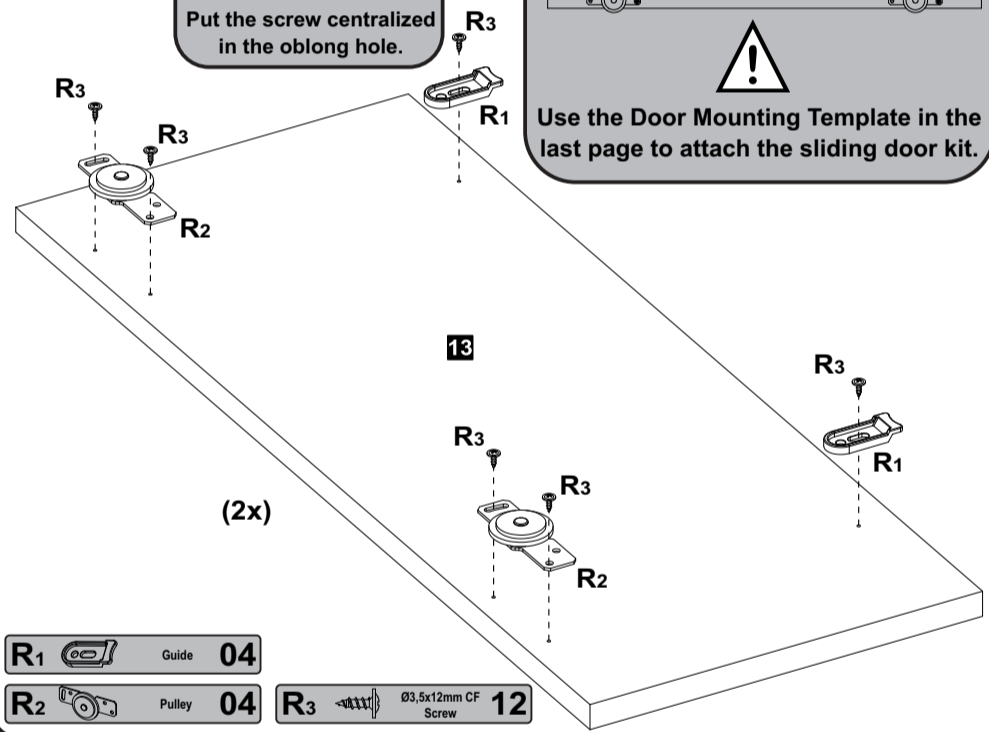
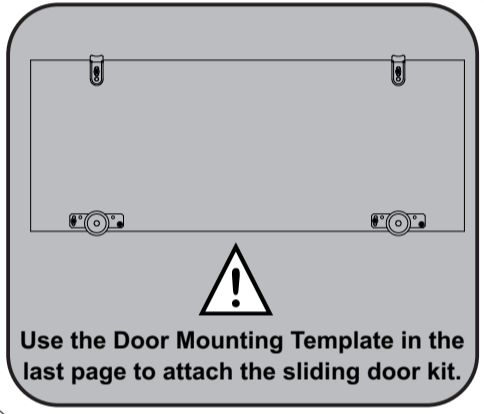
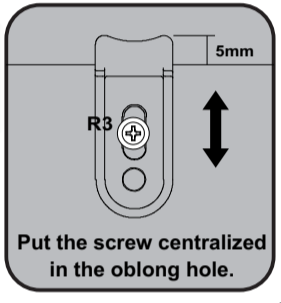
**1<sup>st</sup> Step**



**A** Peg 19 **Q1** Light fixture 02



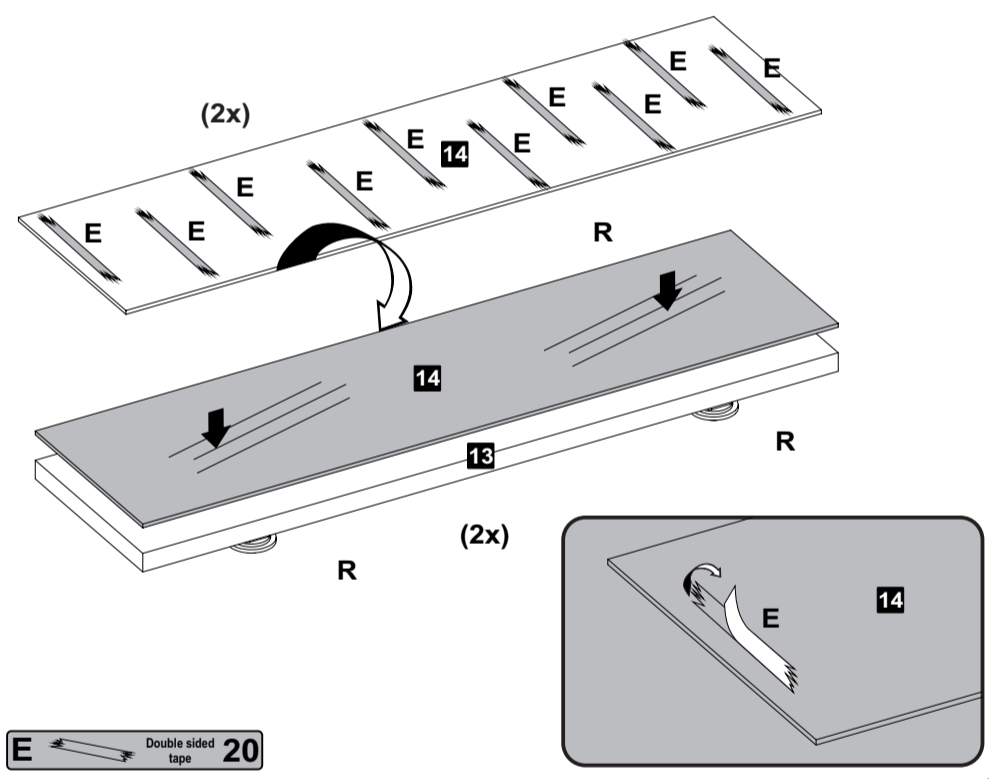
**2<sup>nd</sup> Step**



**R1** Guide 04 **R2** Pulley 04 **R3** Ø3.5x12mm CF Screw 12

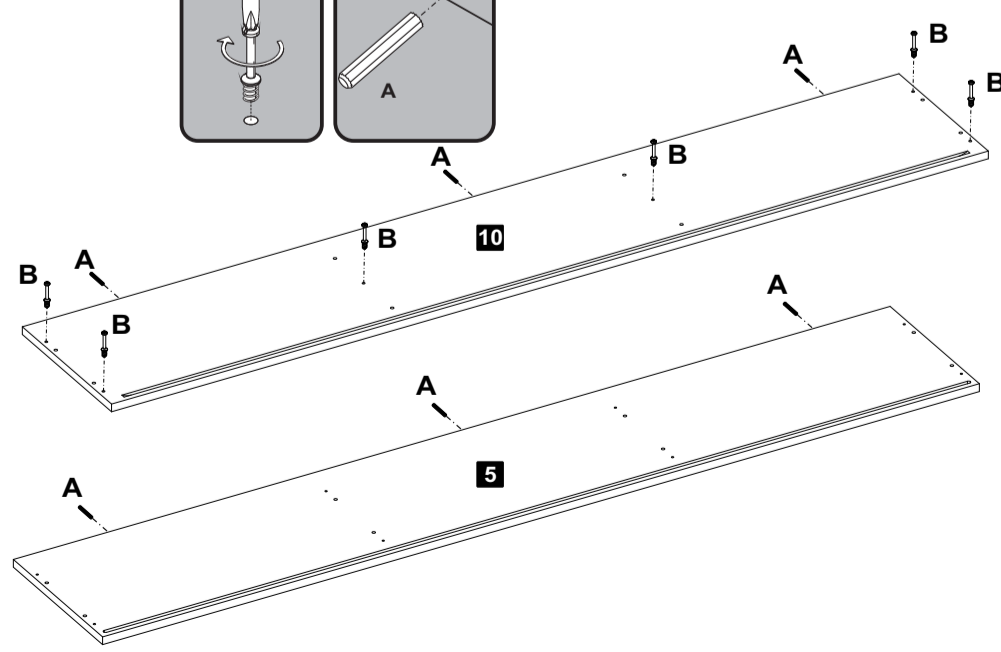
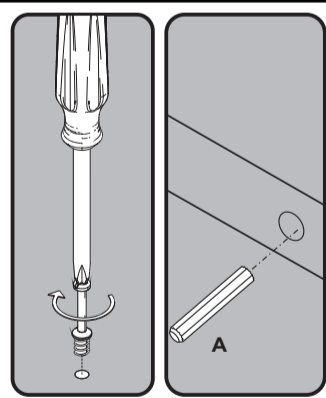
**3<sup>rd</sup> Step**

**Attention** - Wipe the surface with a cloth before applying double sided tape.  
- Securely fasten the mirror to part number 13.



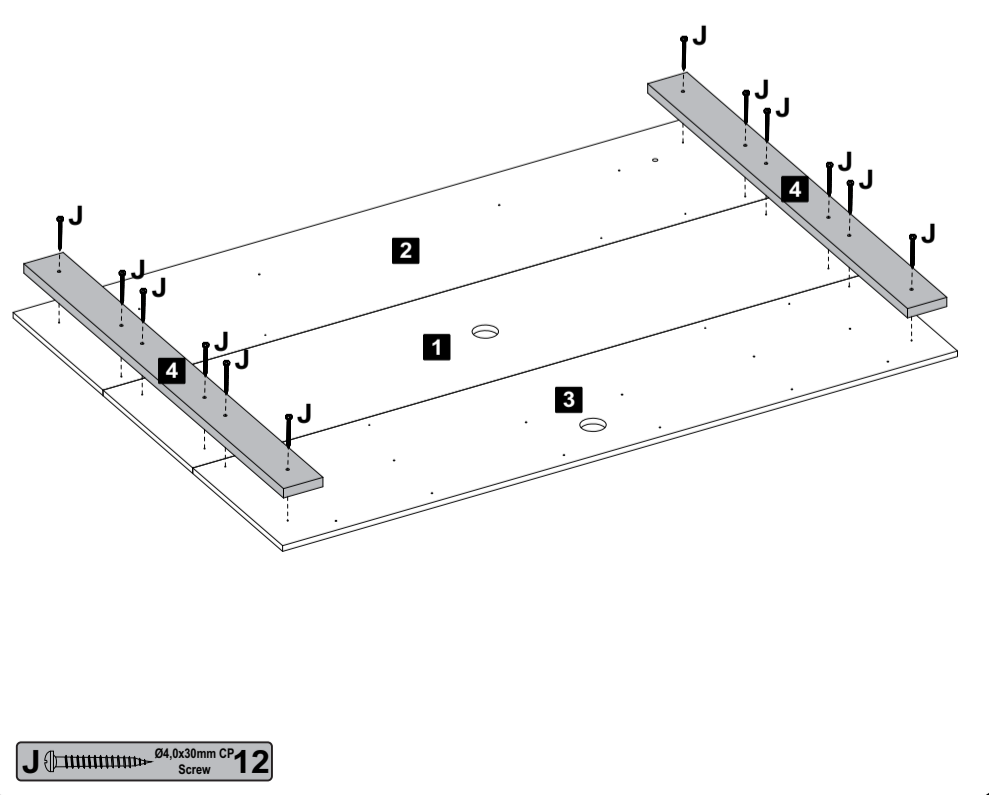
**E** Double sided tape 20

**4<sup>th</sup> Step**



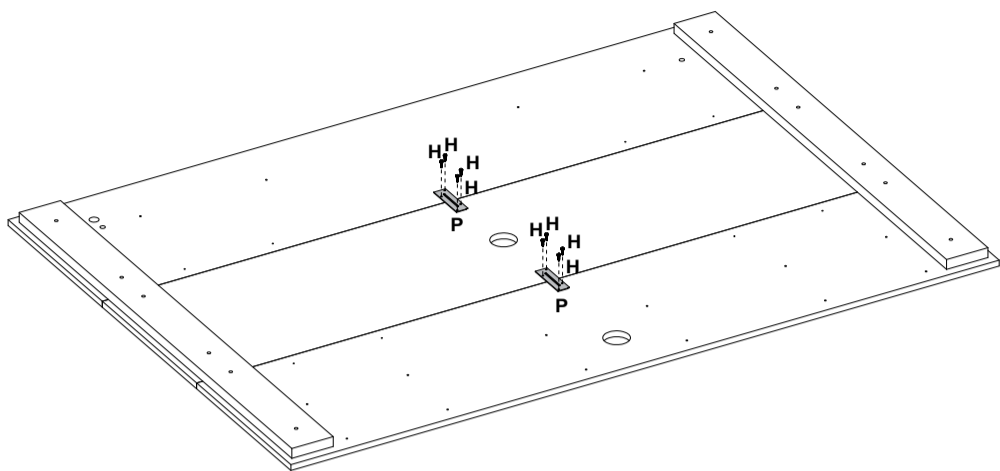
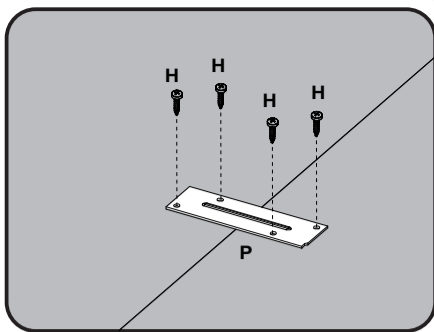
**A** Peg 06 **B** Minifix 06

**5<sup>th</sup> Step**



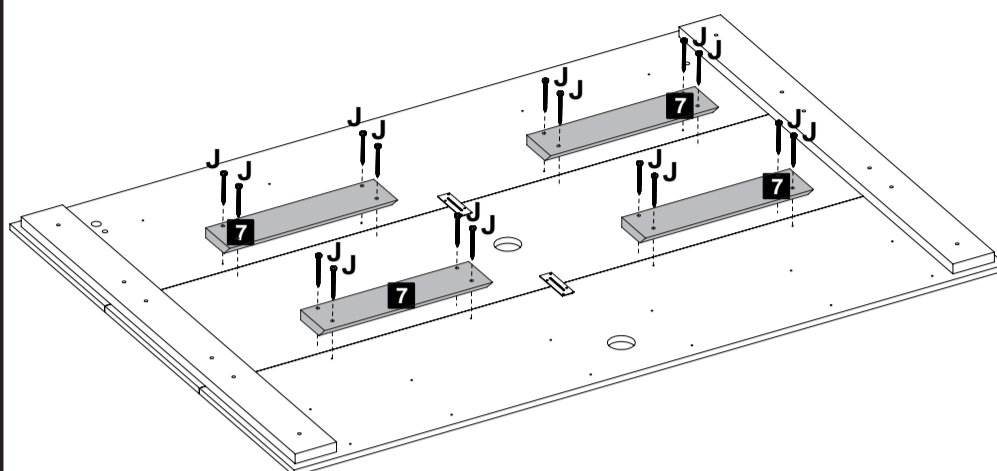
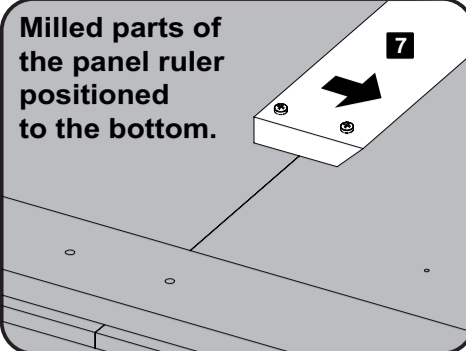
**J** Ø4.0x30mm CP Screw 12

6<sup>th</sup> Step



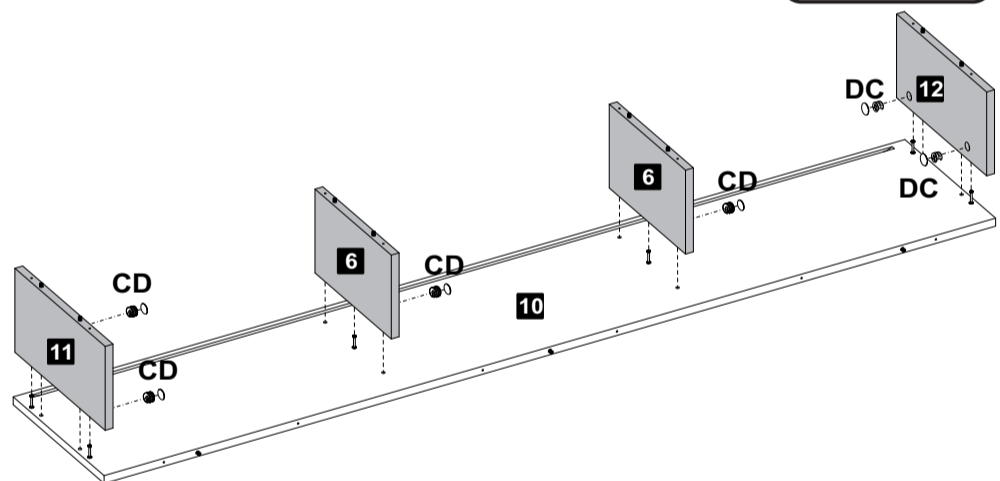
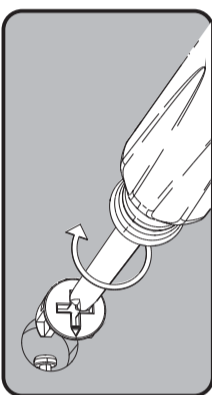
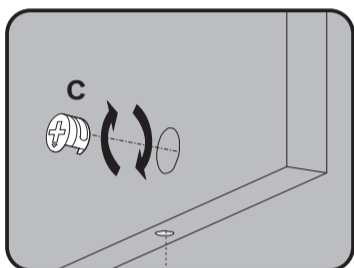
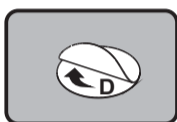
H  $\oplus$   $\text{\textcircled{H}}$  Ø4,0x14mm CP Screw 08 P Junction 02

7<sup>th</sup> Step



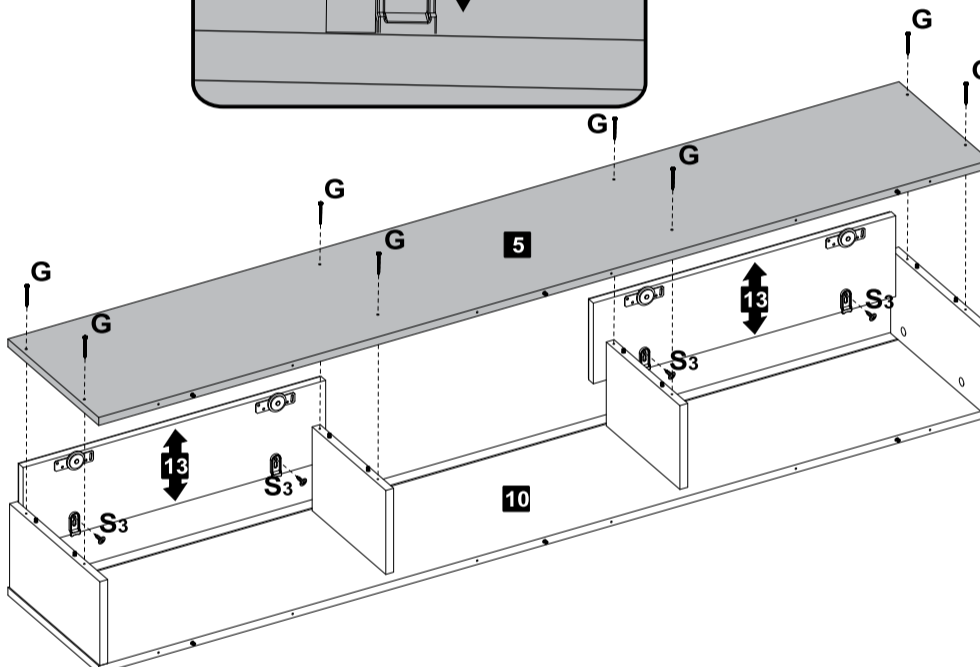
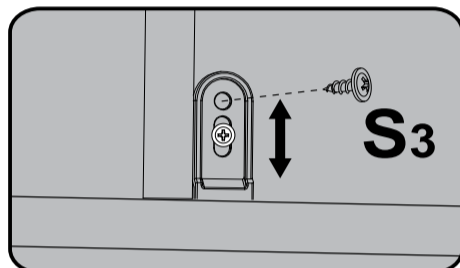
J  $\text{\textcircled{J}}$  Ø4,0x30mm CP Screw 16

8<sup>th</sup> Step



C  $\text{\textcircled{C}}$  Minifix Cam 06 D  $\text{\textcircled{D}}$  Hole Cover 06

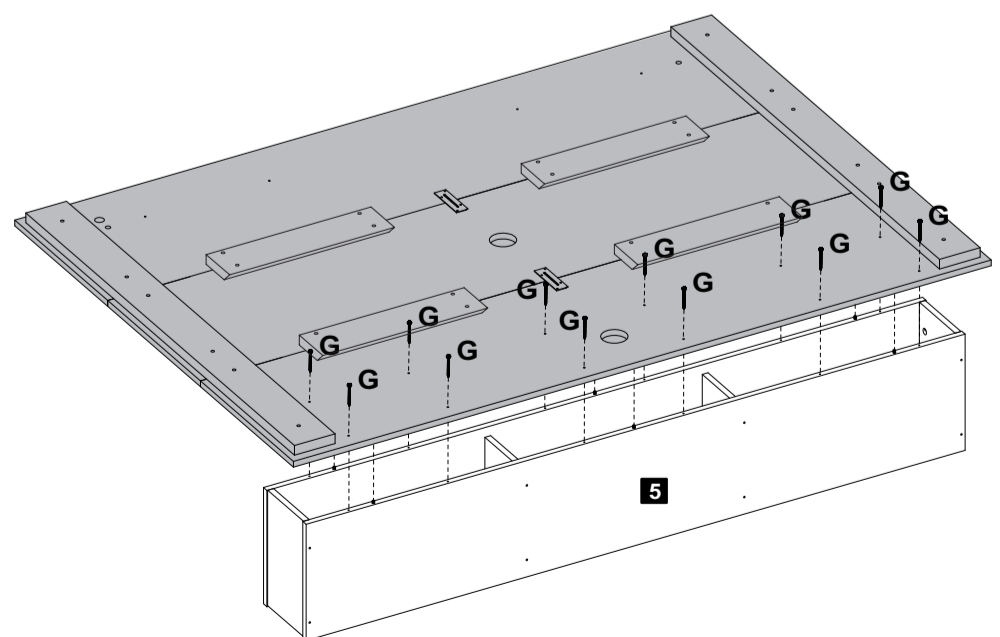
9<sup>th</sup> Step



G  $\text{\textcircled{G}}$  Ø3,5x40mm CP Screw 08 S3  $\text{\textcircled{S3}}$  Ø3,5x12mm CF Screw 02

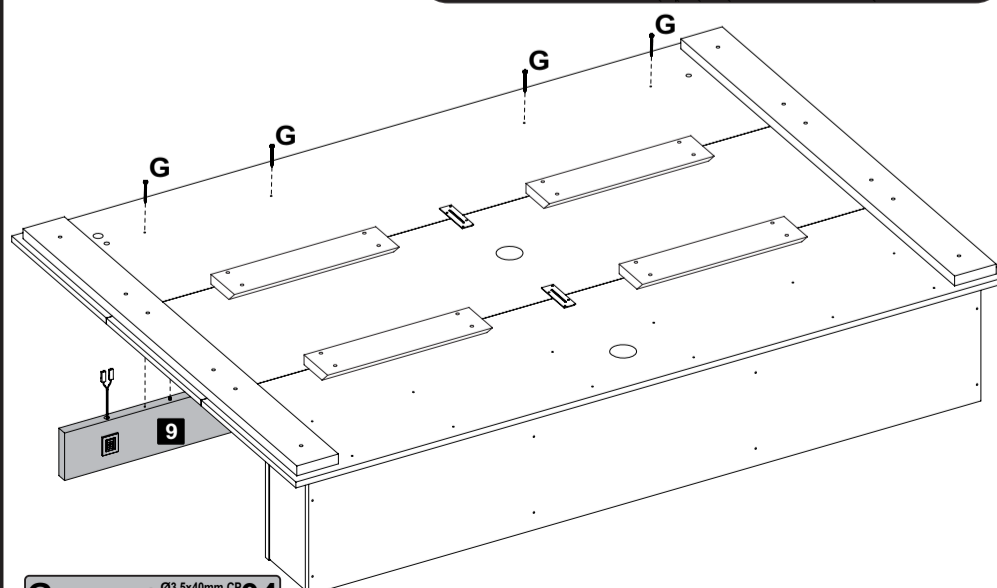
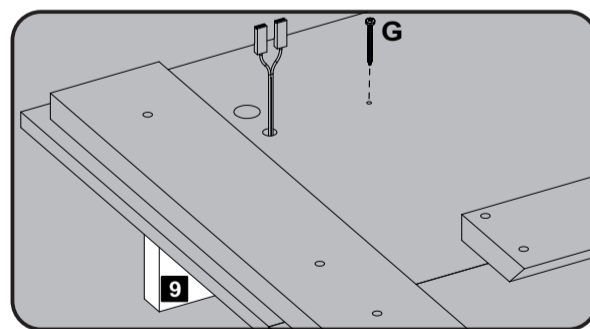
**!** Adjust the door's guides as they are sliding correctly. Then, fix them completely.

10<sup>th</sup> Step



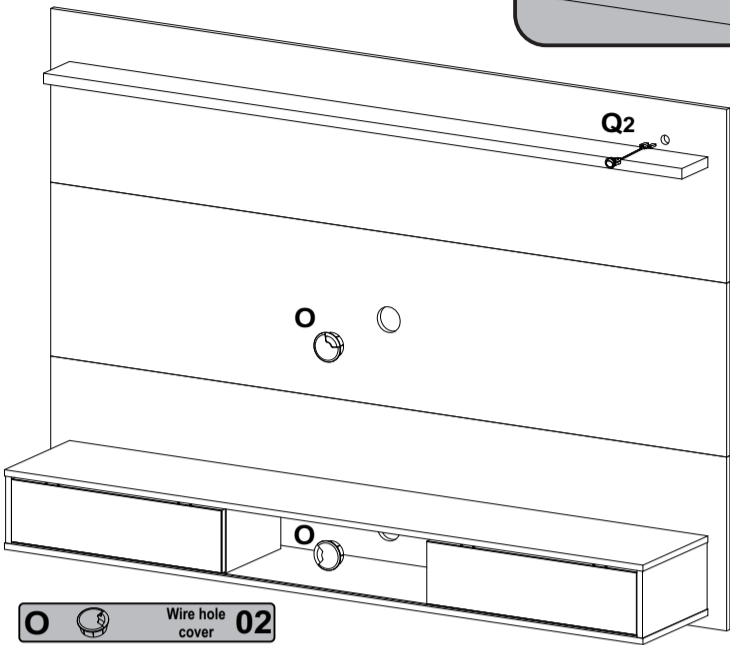
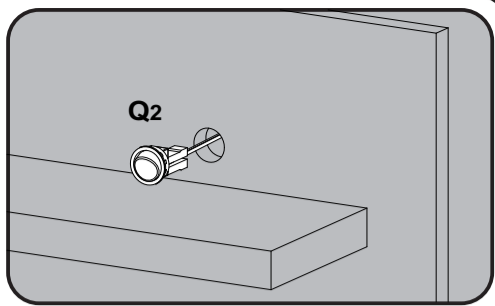
G  $\text{\textcircled{G}}$  Ø3,5x40mm CP Screw 12

11<sup>th</sup> Step



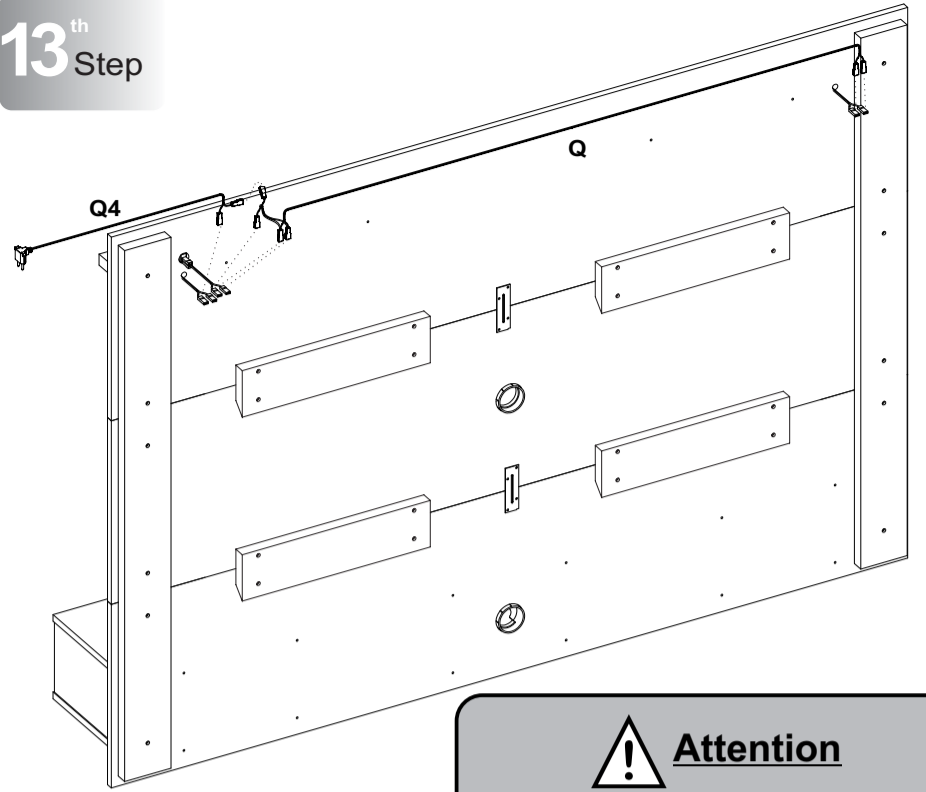
G  $\text{\textcircled{G}}$  Ø3,5x40mm CP Screw 04

12<sup>th</sup> Step



- Wire hole cover **02**
- Light fixture Kit **01**

13<sup>th</sup> Step

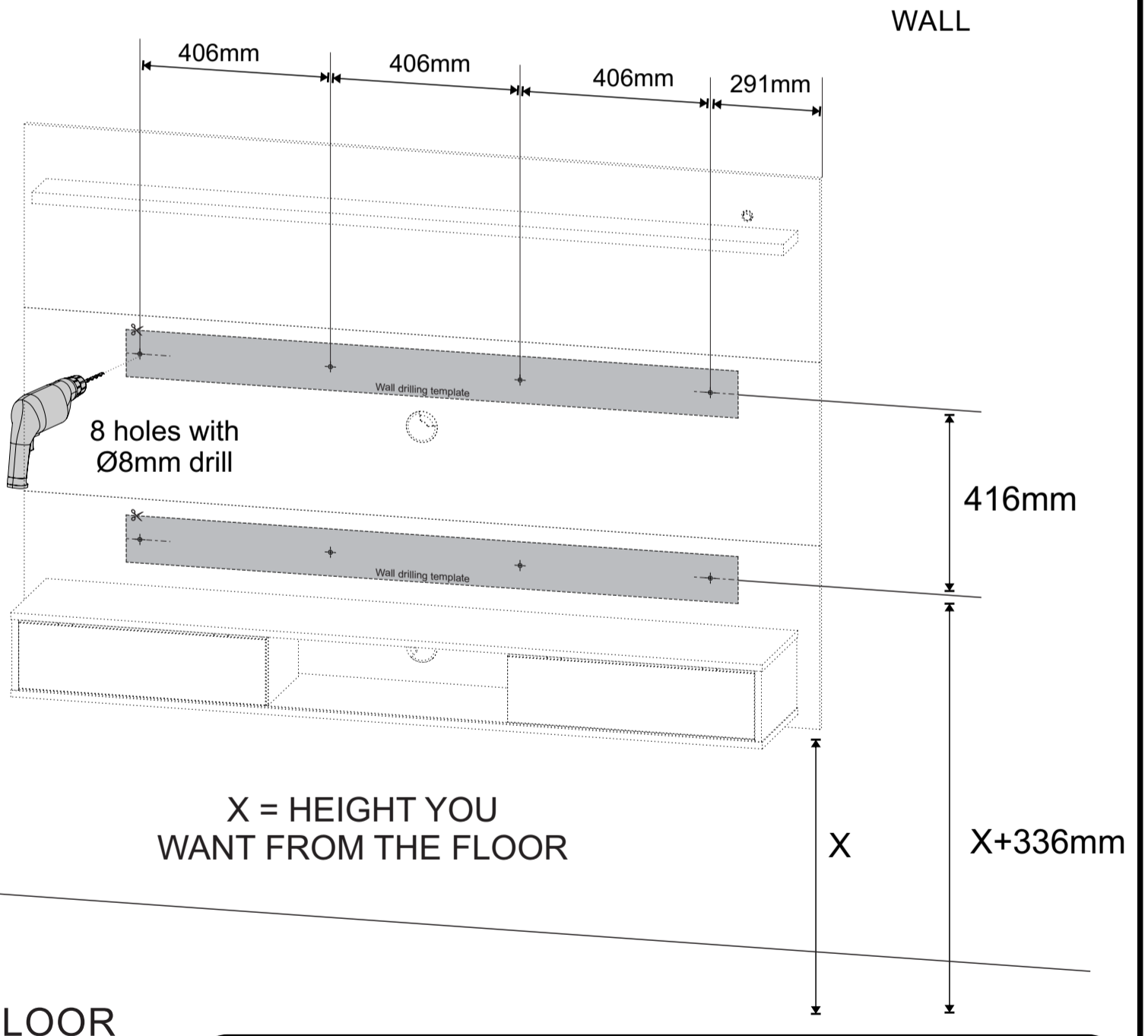
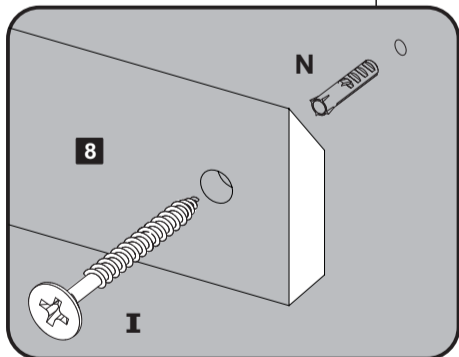
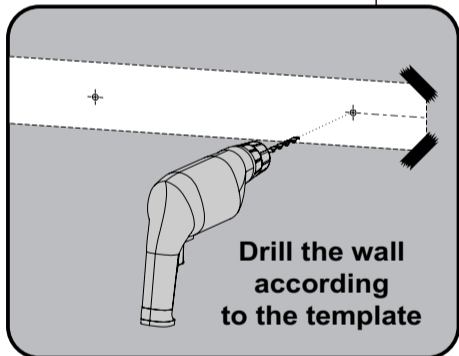
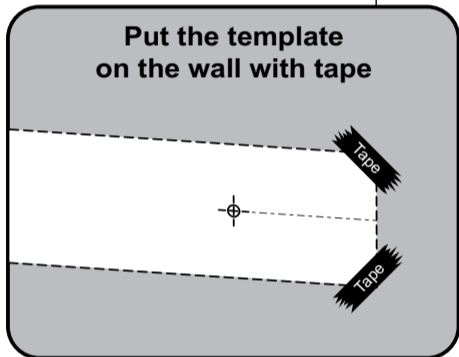


- Light fixture Kit **01**

**Attention**  
Check the manual that comes with the Light Fixture Kit before plugging it in.

14<sup>th</sup> Step

**There is a wall drilling template printed on the box.**



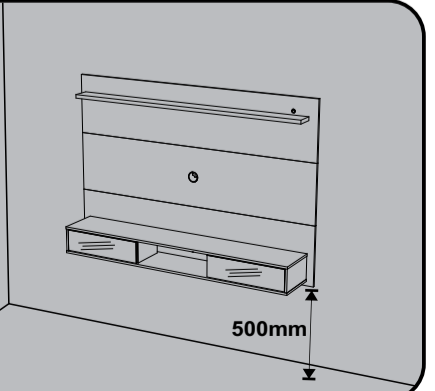
**Level the rulers in the wall.**

Example:

If you want the panel to be 500mm from the floor:

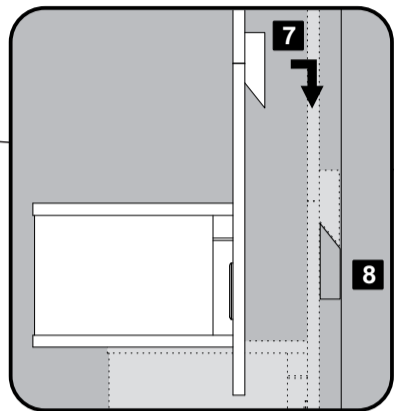
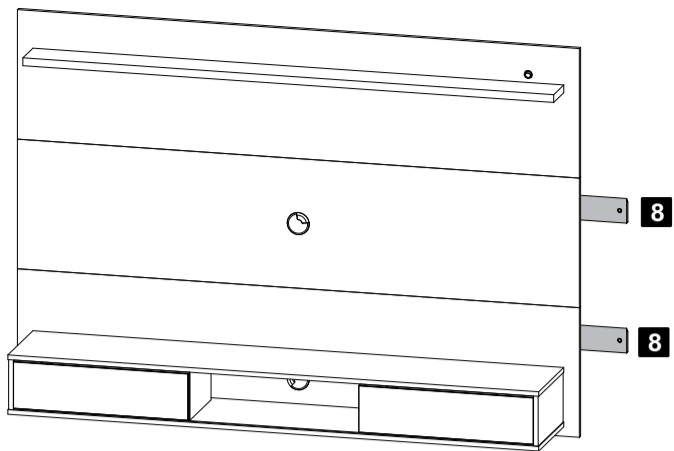
Height of the first hole line =  $500+336=836\text{mm}$

Height of second hole line =  $836+416=1252\text{mm}$





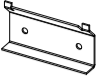


- Ø5.5x65mm Screw **08**
- Bushing **08**

15<sup>th</sup> Step



16<sup>th</sup> Step

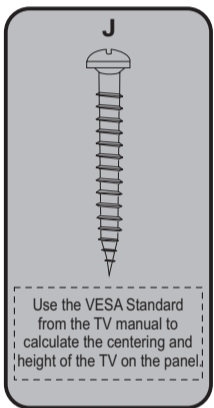
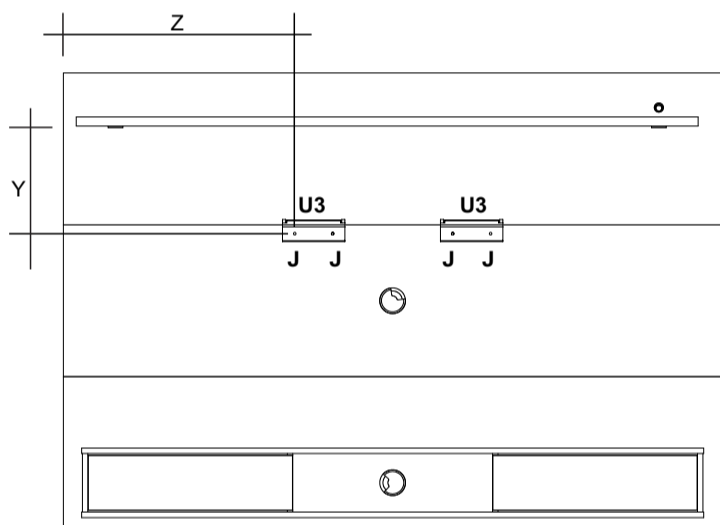
TV Support Kit

U				2
	U1 35x77mm	U2 48x28mm	U3 100x56mm	
	U6		M6 x 16 Screw	
U7		M8 x 16 Screw	4	



To make it easier to attach the TV support, we send 2 screw models that match the most commonly used TVs. If neither model fits your TV properly, purchase the compatible screw from any hardware store. To prevent damage to your TV, do not over tighten the screws.

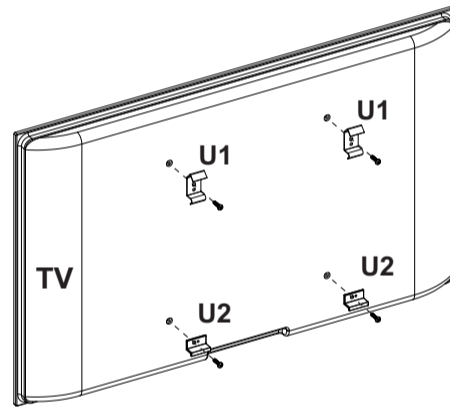
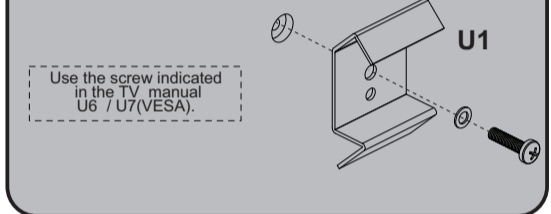
17<sup>th</sup> Step



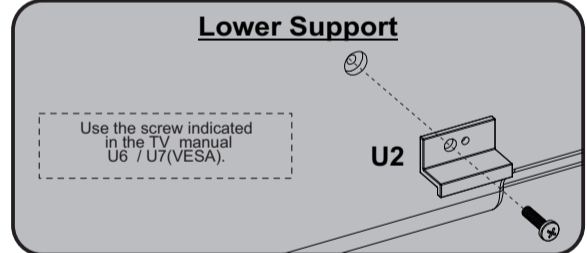
 04,0x30mm CP Screw 04  TV Support Kit 02

18<sup>th</sup> Step

Upper Support



Lower Support



 TV Support Kit 02  
 TV Support Kit 02

19<sup>th</sup> Step

