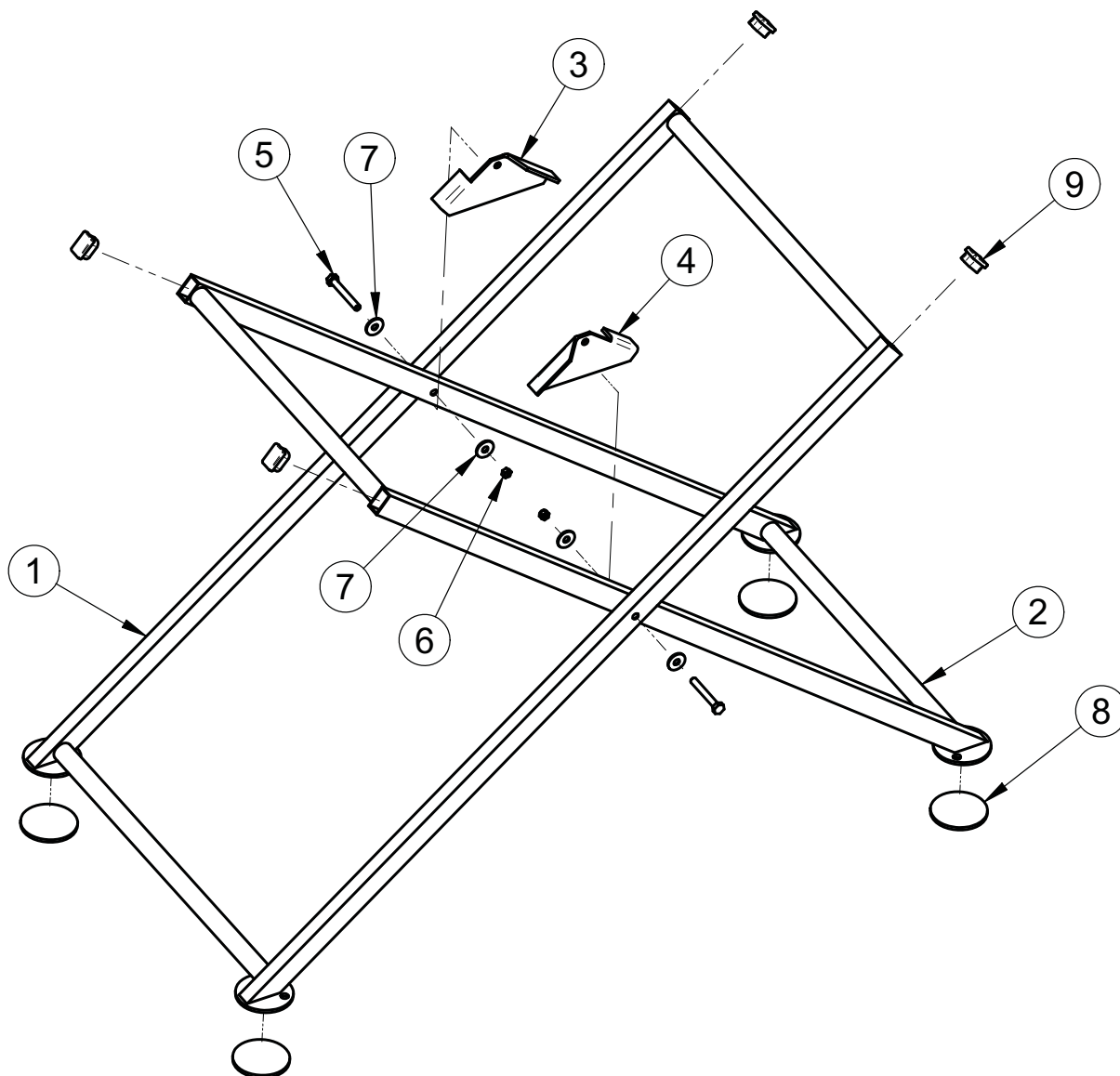


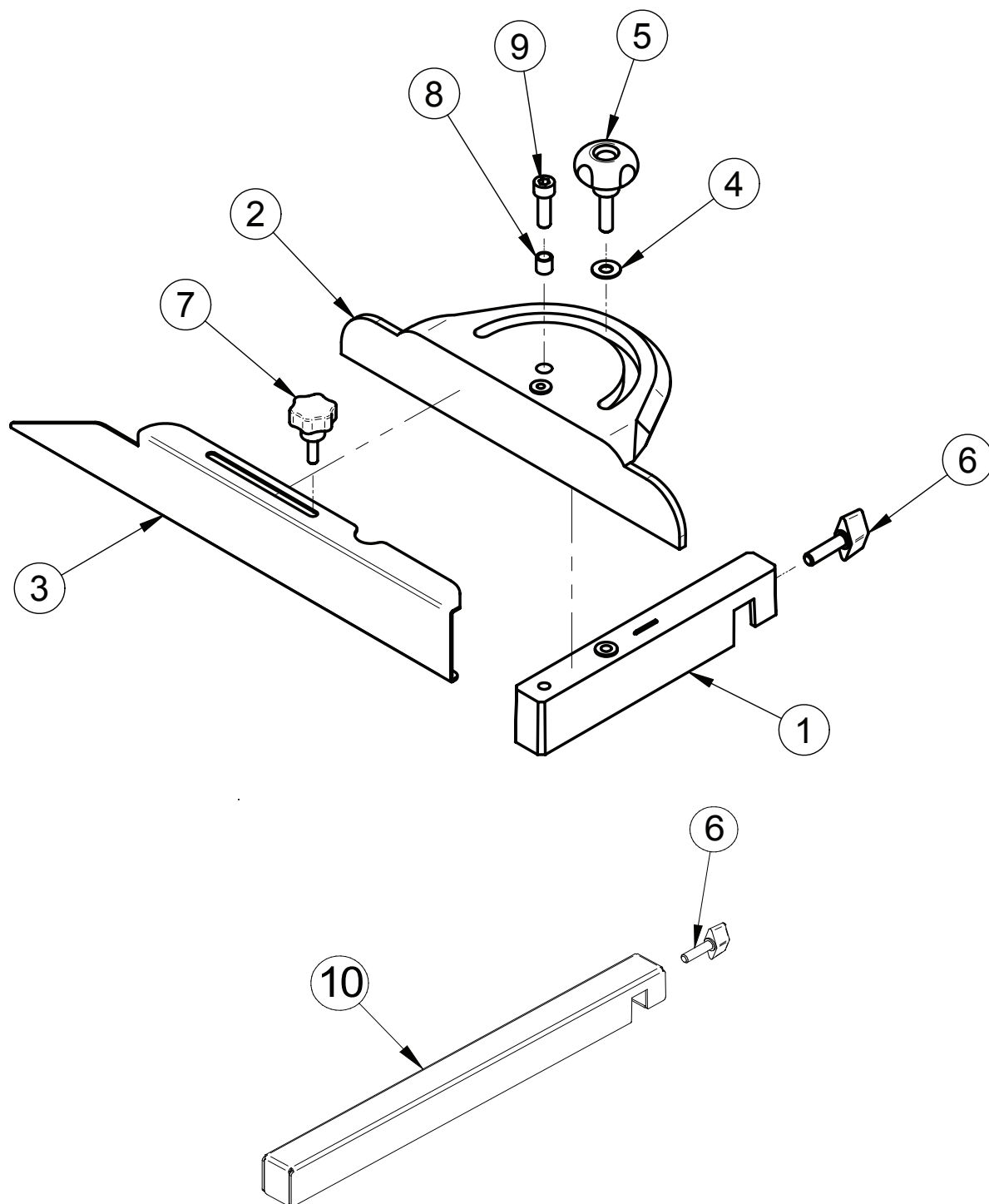


TAV. 1 - MACHINE STRUCTURE			
REF.	CODE	DESCRIPTION	NOTES
1	3210055	TANK	
2	3226064	R.H. SURFACE	
3	3226265	L.H. SURFACE	
4	3226070	REAR SIDE	
5	3226069	FRONT SIDE	
6	3226359	REAR ARM	
7	3226357	FRONT ARM	
8	3234381	SLIDEWAY	
9	3226073	RIGHT FENCE	
10	3226074	LEFT FENCE	
11	3210071	T-NUT	
12	3210099	BOLT	TEFR 6X25
13	3210576	WASHER	D.8,4X17X1,5
14	2235429	CAP	
15	2222545	BOLT	TCEI 5931 M6X30
16	3204865	KNOB	M6
17	3226087	WASHER	D.10,5X17X1,5
18	3226088	BUSHING	
19	2223920	NUT	7474 M10
20	3226747	BOLT	TTDE 5732 8X40
21	3210069	MILLIMETRED STRIP	
22	2284866	KNOB	M8
23	2222584	BOLT	TSPEI 5933 M6X25
24	3210070	ROD	
25	3226083	BRACKET	
26	2222449	BOLT	TC 6954 3.5X19

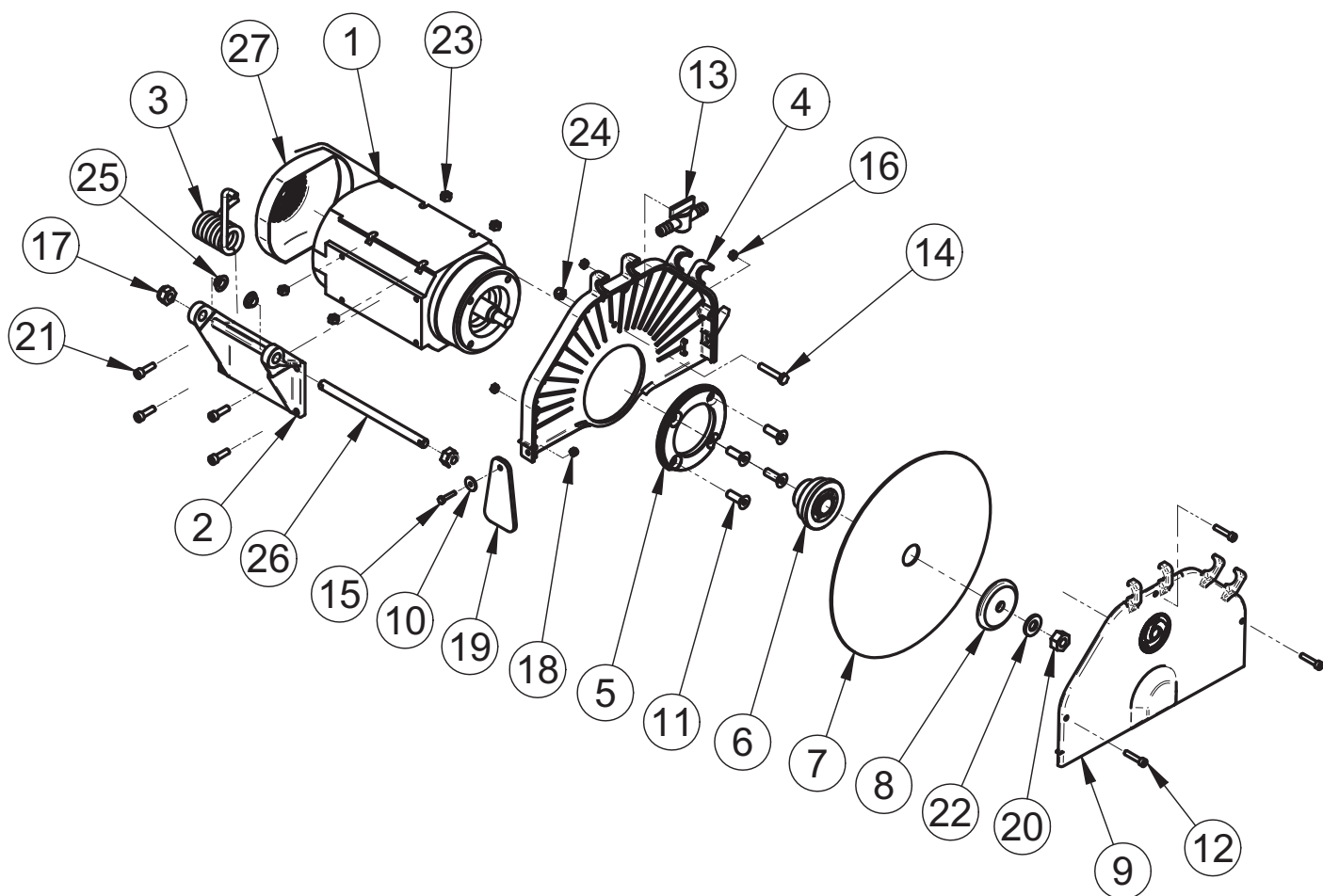


**FIG. 6**

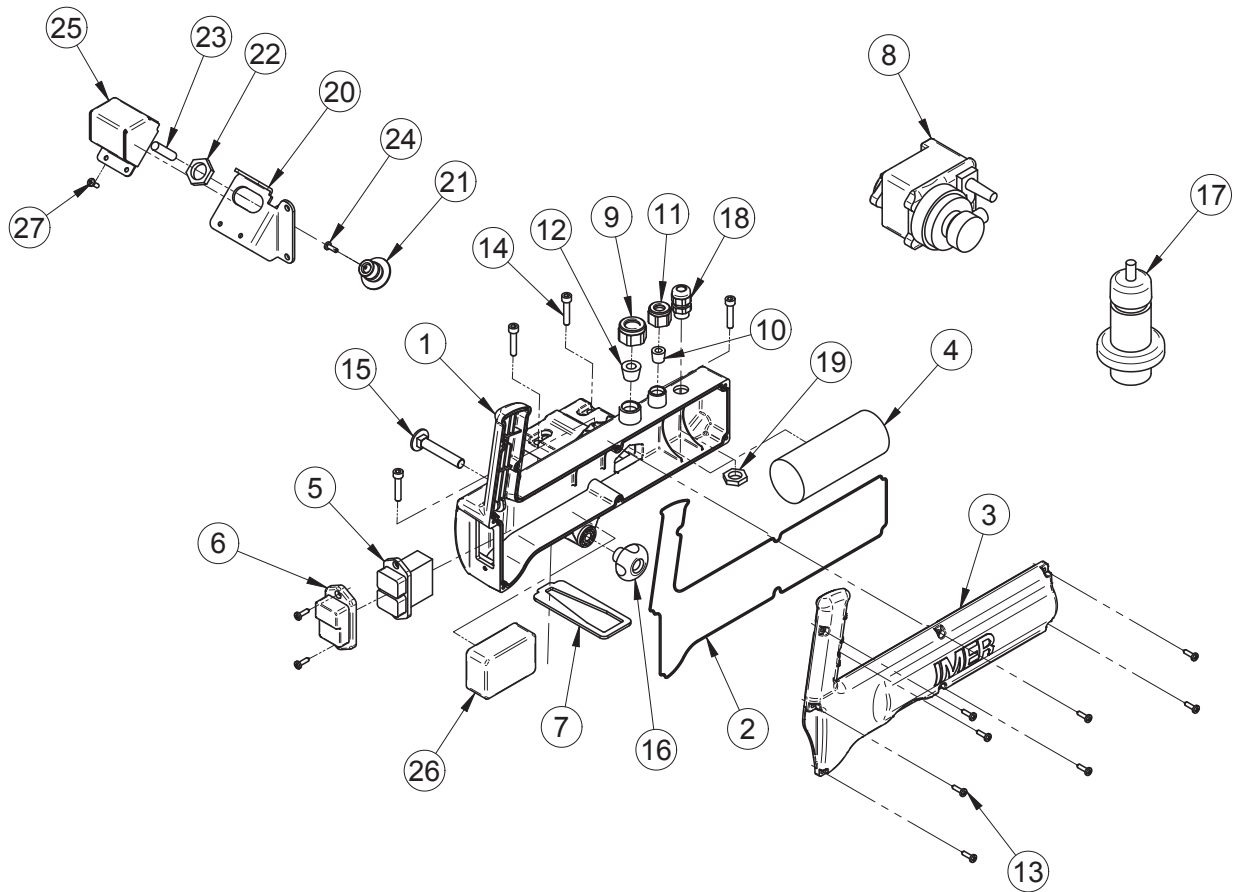
TAV. 2 - COMPLETE FRAME			
REF.	CODE	DESCRIPTION	NOTES
1	3210641	EXTERNAL TRESTLE ELEMENT	
2	3210645	INTERNAL TRESTLE ELEMENT	
3	3207193	RIGHT RABBET	
4	3207194	LEFT RABBET	
5	1222030	BOLT	TE 8.8 5737 M8X60 Z
6	2223923	NUT	7473 M8
7	2224204	WASHER	6593 D.8X24 Z
8	3210646	RUBBER COATING	
9	3206205	TERMINAL	



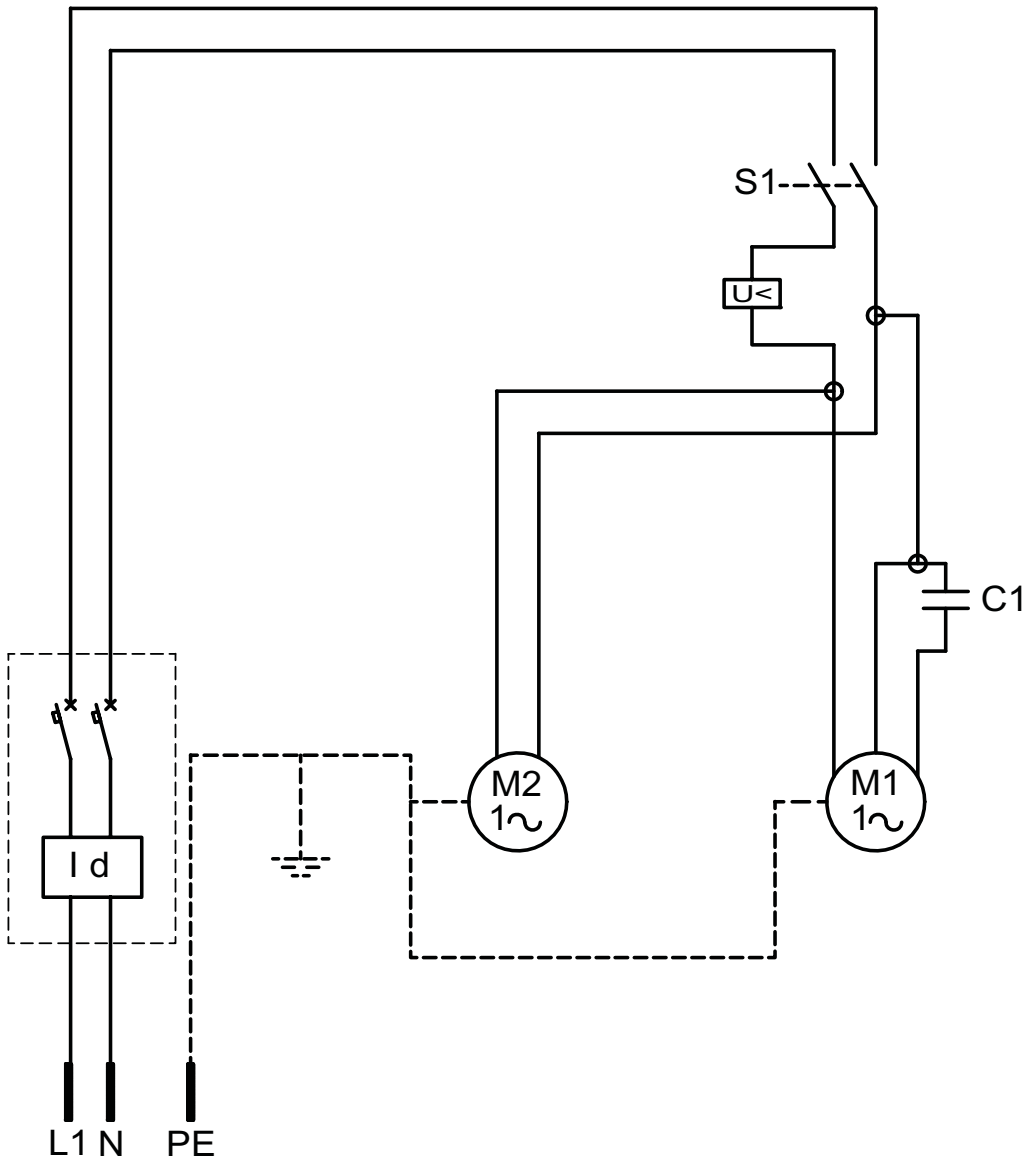
3226358		TAV. 3 - COMPLETE GONIOMETER	
REF.	CODE	DESCRIPTION	NOTES
1	3230617	GONIOMETER SUPPORT	
2	3230616	GONIOMETER	
3	3226360	SLIDING ROD	
4	2224140	WASHER	6593 D.8X18
5	3207939	HANDWHEEL	M8X30
6	3211381	HANDWHEEL	M8X30
7	3223279	HANDWHEEL	M6X20
8	3230638	SPACER	
9	2222511	BOLT	TCEI 5931 M8X25
10	3231271	BAR	



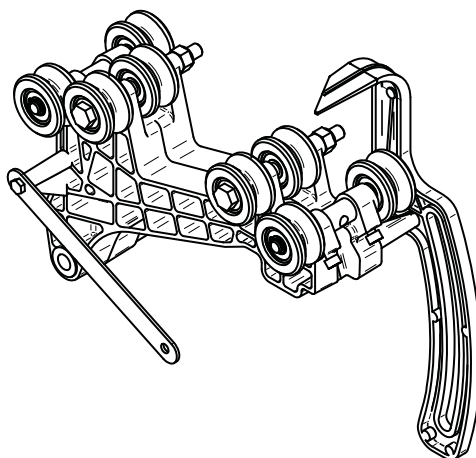
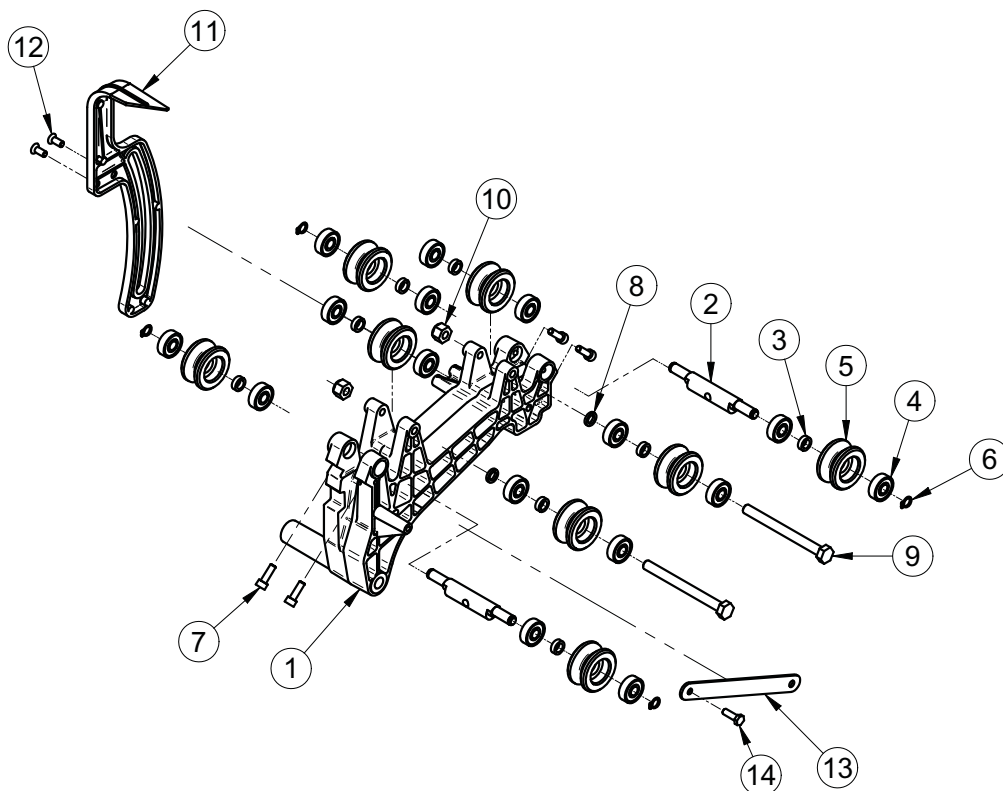
TAV. 4 - BLADE PROTECTION MOTOR ASSEMBLY			
REF.	CODE	DESCRIPTION	NOTES
1	3230037	MOTOR	
2	3230255	ENGINE SUPPORT	
3	3210087	SPRING	
4	3211935	BLADE GUARD	
5	3210043	SPACER BRACKET	
6	3210238	INNER FLANGE	
7	1193782	BLADE	
8	3210046	OUTER FLANGE	
9	3211933	BLADE GUARD	
10	2224535	WASHER	
11	2222587	BOLT	TSPEI 5933 M8X20
12	3204399	BOLT	TCEI 5931 M5X25
13	3207884	COCK	
14	3209060	BOLT	TE 8.8 5737 M6X35
15	2222001	BOLT	TE 8.8 5737 M4X20
16	2223352	NUT	5588 D.5
17	2223920	NUT	7474 M10
18	2223926	NUT	7473 M4
19	3210050	SPRAY SHIELD	
20	3210053	NUT	5588 M12 Z SX
21	2222540	BOLT	TCEI 5931 M6X20
22	2224380	WASHER	6592 D.12X25
23	2223280	NUT	5588 M6
24	2223924	NUT	7473 M6
25	3230251	BUSHING	GFM-1012-6
26	3230250	GOUPILLE	
27	3230644	FAN COVER	



TAV. 5 - ELECTRIC PANEL			
REF.	CODE	DESCRIPTION	NOTES
1	3227467	JUNCTION BOX	
2	3210114	GASKET	
3	3210231	COVER	
4	3210232	CAPACITOR	
5	3210233	SWITCH	
6	3209340	LEAKAGE PROTECTION	
7	3225596	GASKET	
8	3233422	WATER PUMP	
9	3226095	CABLE GLAND LOCKING RING	PG 16
10	3226101	CABLE GLAND GROMMET	PG 16
11	3226098	CABLE GLAND LOCKING RING	PG 11
12	3226100	CABLE GLAND GROMMET	PG 11
13	3210116	BOLT	TCTC 4,2X16
14	2222540	BOLT	TCEI 5931 6X20
15	3210096	BOLT	TTCQ 5732-65 M8X60
16	2284866	HANDWHEEL	180-40-M8
17	3224630	PLUG + ELECTRIC CABLE	
18	3227508	CABLE CLAMP	PG 9
19	3227487	CABLE GLAND NUT	PG 9
20	3227481	SUPPORT	
21	3227483	ADJUSTMENT BLOCK	
22	3227489	CABLE GLAND NUT	M20x1.5
23	3228250	LASER	
24	3207155	BOLT	TC PH 7687 M4X10
25	3227482	COVER	
26	3228251	POWER SUPPLY	
27	2222424	BOLT	TC PH 6954 4.2X9.5

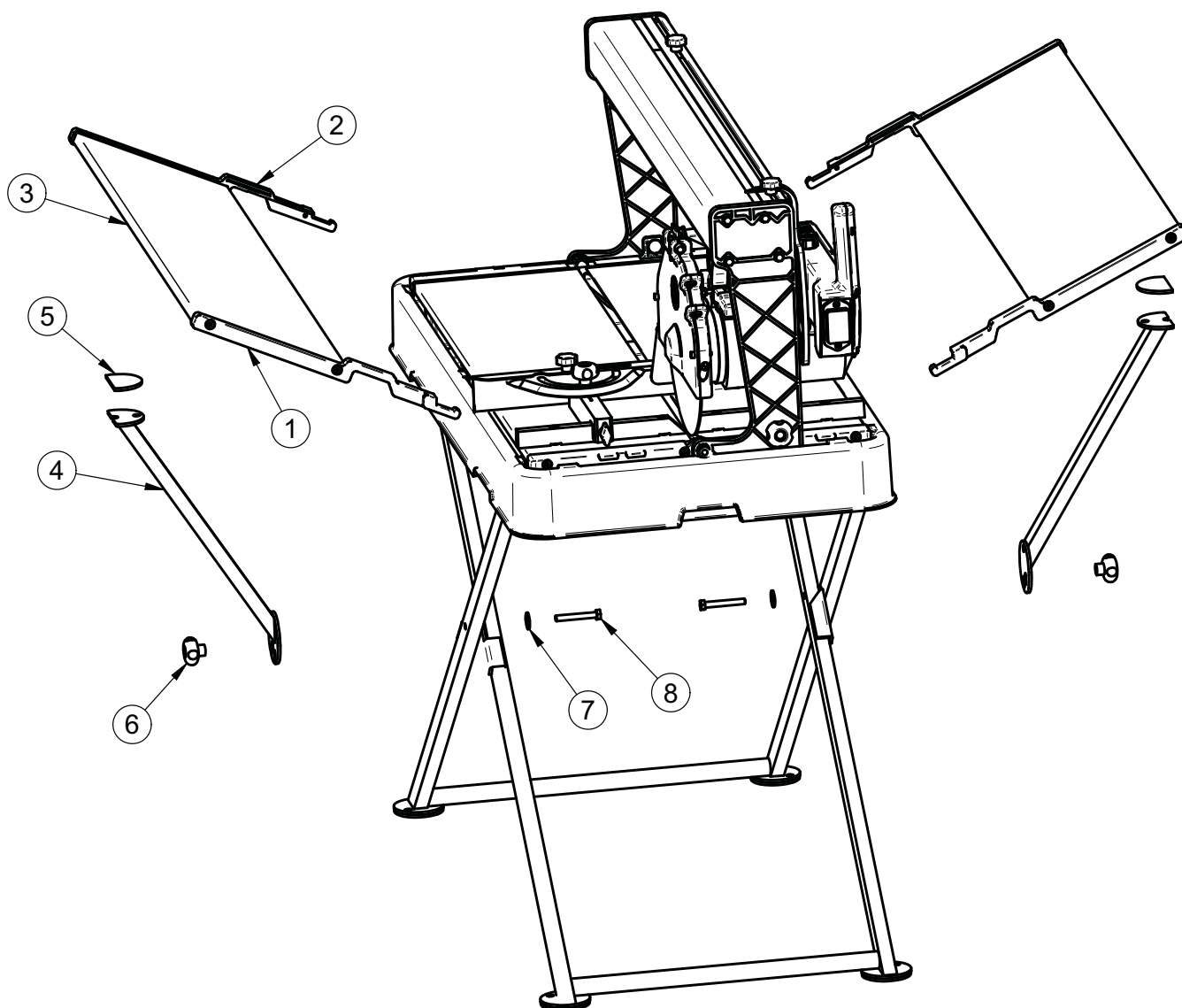


WIRING DIAGRAM	
REF.	DESCRIPTION
S1	CONTROL SWITCH
C1	CAPACITOR
PE	EARTHING CABLE
N	NEUTRAL LINE CABLE
L1	PHASE LINE CONDUCTOR
M1	BLADE MOTOR
M2	PUMP MOTOR
ID	CURRENT CIRCUIT BREAKER



TAV. 6 - CARRIAGE			
REF.	CODE	DESCRIPTION	NOTES
1	3210031	CARRIAGE	
2	3210032	CAM	
3	3207393	SPACER BRACKET	
4	3204945	BEARING	608 2RS1
5	3207397	WHEEL ASSEMBLY	
6	3210627	RING	
7	3210036	BOLT	TCEI 5931 M5X16
8	3210622	SPACER BRACKET	
9	2222114	BOLT	TE 5737 M8X90
10	2223923	NUT	7473 M8
11	3210028	CARRIAGE BLOCK	
12	3210105	BOLT	TSP PH M5X12
13	3210029	BLADE GUARD	
14	2222000	BOLT	TE 5739 M5X16





**FIG. 7**

COD.1188166		TAV. 7 - SIDE ROLLER	
REF.	CODE	DESCRIPTION	NOTES
1	3226145	SUPPORT	
2	3226146	SUPPORT	
3	3226066	SIDE ROLLER	
4	3226233	SUPPORT	
5	3210646	RUBBER COATING	
6	2284866	HANDWHEEL	M8X30
7	2224204	WASHER	6593 D.8X24 Z
8	1222030	BOLT	TE 8.8 5737 M8X60 Z