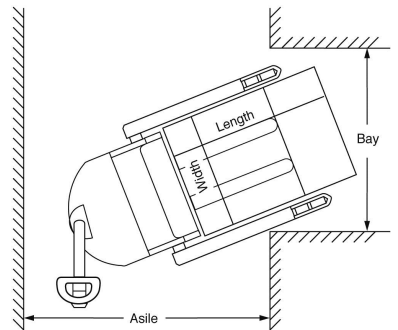


Aisle Guide

PDS40 - Right Angle Stacking

Load Width	Load Length		
	36"	40"	48"
36"	79.5"	79.5"	79.5"
40"	80.5"	80.5"	80.5"
48"	80.5"	80.5"	80.5"

For ease of use add 8" to aisle dimension listed. If sideshift option is used add 2".



Aisle dimensions listed above assume the minimum bay width to be straddle OD plus 5" (2.5" on each either side of straddle leg). Straddle OD is the load width plus 10". Truck performance may vary due to application requirements and changes in model design.

Model #	Mast	Lift Height	Col Height	Free Lift	Ext Height w/LBR	Fixed Straddle Leg		**Weight Chassis Only
		A	C	D	E	F	G	
4000 Capacity								
PDS40-104	Two Stage	104	72.5	6	142	42 or 50	50 or 58	2118
PDS40-126	Two Stage	126	83.5	6	165	42 or 50	50 or 58	2238
PDS40-157	Three Stage	157	72	50	193	42 or 50	50 or 58	2514
PDS40-177*	Three Stage	177	80	58	213	42 or 50	50 or 58	2624

* Derates 1500 LBS above 162"

** Estimated shipping weight without battery



Big Lift LLC
www.bigjoeforklifts.com
630-916-2600

Certification
All units are built to be in compliance with the Occupational Safety & Health Act (OSHA)
Big Lift LLC will not assume liability for injuries or damage arising from, or caused by, the removal of any safety devices from their vehicles by user. Because of the Big Lift LLC continuing product improvements, specifications are subject to change without notice.

© Copyright 2019, Big Lift LLC Printed USA 0713