



WPT60

Electric Power Pallet Truck

HEAVY DUTY MOTORIZED PALLET, IDEAL FOR MANUFACTURING, LOADING DOCKS, AND CONGESTED AREAS



CAPACITY

6000 lbs.

BATTERY

Compartment: 31.12" x 13.12" x 31.62
Anderson 175 Gray—A-11 Min/Max battery weight 975/1500lbs.

TRAVEL SPEED

24-volt ZAPI Travel Controller

Variable 0 mph up to 3.5 mph empty
Variable 0 mph up to 3.4 mph loaded

TIRES AND WHEELS

PRESS-ON DRIVE

10" x 4" polyurethane

LOAD

2 - 3.25" x 6.5" polyurethane

TILLER ARM CONTROLS

Travel, lift, and lower functions are located in the ergonomic operator handle. All operator controls are accessible without having to lift the hand from the handle.

Angle grips are designed to allow easy operation with either hand. Wrap around guard, reversing switch, thumb control, and horn are standard. Low mounted tiller arm offers excellent operator comfort and minimum steering effort. Gas assisted spring handle gently returns handle to vertical position.

ELECTRICAL

Heavy-duty, 24-Volt system for demanding warehouse applications. The programmable ZAPI traction control and matching drive motor provide high performance throughout the entire speed range.

Travel speed remains constant relative to throttle position regardless of load. Separately fused power control circuits, quick disconnect EPD power cut off, hour meter / battery discharge indicator combination gauge complete the system. Power configurations and diagnostic features are standard.

HYDRAULICS

Heavy duty pump motor with center mounted lift cylinder. Heavy-duty, pump unit, motor, hydraulic reservoir, solenoid, and gear pump. Integral pressure compensated flow control valve regulates lowering speeds.

DRIVE UNIT

Vertically mounted drive motor is directly mounted to gear housing. Oil bathed hypoid bevel gear drive train with tapered roller bearings transfers power to axle. State of the art optimized gear technology supplies advantages such as minimal envelope circle, zero maintenance, low noise level, high efficiency and high performance. Regenerative electromagnetic brake is mounted on motor armature shaft multiplying the braking power through the transmission. Brake is applied when control arm is in the vertical or horizontal handle position. System features anti-roll back and neutral braking.

FORK ASSEMBLY

Pallet entry slide allows easy pallet entry by lifting the fork up and over bottom board. Eight easily accessed grease zerks for ease of maintenance.

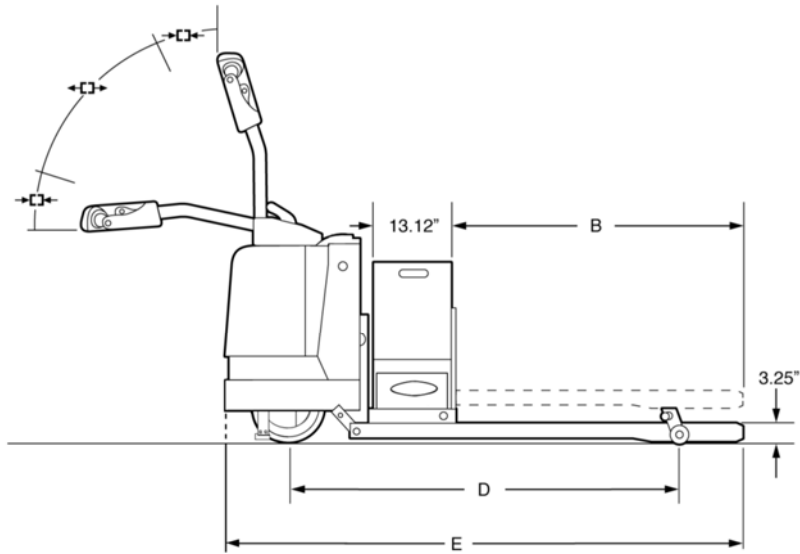
ACCESSIBILITY

Heavy duty composite one piece cover exposes major components for inspection and maintenance.

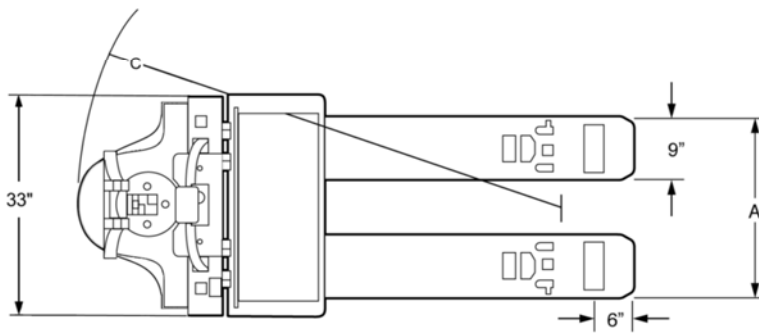
STANDARD EQUIPMENT

- 24-Volt regenerative braking
- Large AC traction motor
- Two piece powerhead cover
- Tapered fork tips w/entry skid plate
- Programmable performance travel / plugging / braking





ERGONOMIC OPERATOR'S HANDLE



Gradeability	
Without Load	10%
With Load.....	6%
Travel - Variable	
Empty:	0 to 3.5 mph
Loaded:	0 to 3.4 mph
Fork	
Lowered Height:	3.25"
Maximum Lift Height:	5.05"
Extended Height:	8.3"

Model #	Forks	Fork Width	Actual Fork Length	Turning Radius	Wheelbase	Overall Length	² Weight (lbs.)
		A	B	C	D	E	
Fork Dimensions: 27" Wide							
WPT 60	27 x 36	27	35.5	71.9	55.8	73.1	1175
WPT 60	27 x 48	27	46.8	73.3	67.8	84.5	1254
WPT 60	27 x 60	27	59.5	85.9	67.8	97.1	1354

² Estimated shipping weight without battery