



T40

Electric Walkie Tugger

Improve safety and productivity by reducing the strain involved in the transport of common industrial carts.

TOWING CAPACITY
4,000 lbs.

EASY EXCHANGE Lithium Battery System
24v 20AH battery fits into on-board dock and external 110V 10A charger.

TRAVEL SPEED

Variable from 0 mph to 3 mph empty
Variable from 0 mph to 2 mph loaded

WEIGHT

625 lbs.

TIRES / CASTERS

DRIVE

(2) 9.8" x 3.3" Pneumatic rubber tires Stability casters

(2) 3" x 1.3" polyurethane

DRIVE

24-Volt DC 0.5 horsepower

S2 60 minute rated electric drive motor with heavy duty transaxle housing.

BRAKE

Electromagnetic brake.

CONTROLS & FEATURES

Ergonomic control head with (3) height adjustments accommodates different size operators. Wrap around hand guard, dual butterfly travel controls with infinitely variable forward and reverse travel control, reversing switch, key switch, battery discharge indicator and horn as standard equipment.

180 DEGREE ARTICULATING TOW ARM

Spring loaded tow arm articulates for easy turning and comes with both a pin style and frame grab tools for easy integration with many common industrial carts.

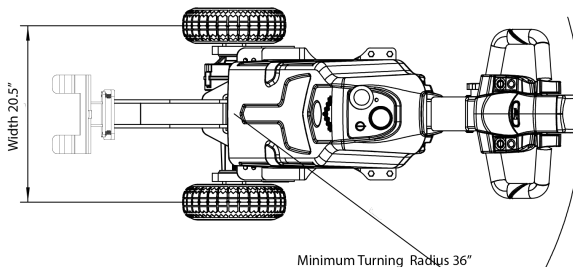
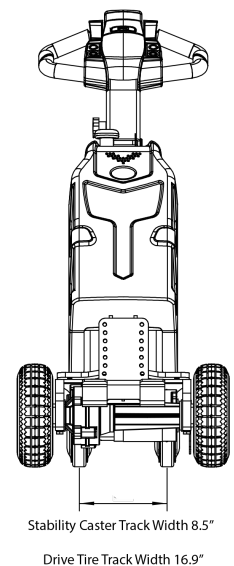
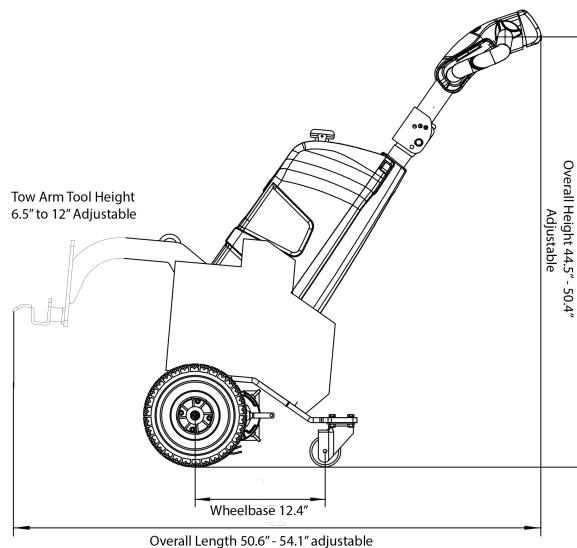


PERFORMANCE

Performance may be reduced depending on the type of cart being towed, cart wheel size and composition, integration of tow arm tools with cart providing adequate weight transfer, and other factors.

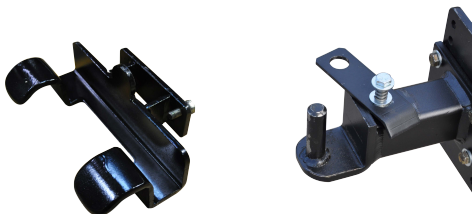
DUTY CYCLE

Revolutionary Easy Exchange Battery delivers up to 2 hours of continuous operation and can be fully charged within 2.5 hours. Optional extra batteries can be used to extend run time or to serve as a reliable back-up.



Maximum gradeability

3% Loaded
10% Unloaded



Certification
All units are built to be in compliance with the Occupational Safety & Health Act (OSHA)

Big Lift LLC will not assume liability for injuries or damage arising from, or caused by, the removal of any safety devices from their vehicles by user. Because of Big Lift continuing to improve products, specifications are subject to change without notice.

© Copyright 2019, Big Lift LLC Printed USA 0210