



#### **CAPACITY**

2200 lbs. @ 24" Load Center

#### **INTEGRAL BATTERY / CHARGER**

24-volt maintenance free batteries

110A smart charger @15A.

#### **SPEED**

Curtis transistor travel controller

#### **TRAVEL**

Variable from 0 mph to 3.4 mph empty

Variable from 0 mph to 2.5 mph loaded

#### **LIFT**

Up to 39 fpm empty.

Up to 20 fpm loaded

#### **LOWERING**

Up to 21 fpm empty

Up to 21 fpm loaded

#### **WEIGHT**

1125 lbs. with battery and charger

#### **TIRES / WHEELS**

##### **DRIVE**

8.3" x 2.8" polyurethane

##### **STABILITY**

4" x 2" polyurethane

##### **DUAL LOAD**

(2) 4" x 2" polyurethane

#### **HYDRAULICS**

Lift cylinder is hard chrome. Permanent magnet pump motor and chrome plated lift cylinder provides smooth lifting and lowering. Pump unit includes DC motor, solenoid, and gear pump.

#### **DRIVE**

24-Volt permanent magnet DC drive motor with rare earth neodymium magnets increases efficiency and duty cycle.

#### **ELECTRICAL**

**Curtis** travel control provides smooth step less travel. Quick disconnect EPD power cut off and battery discharge indicator are standard equipment.

#### **BRAKES**

Electro-magnetic disc brake.

#### **TILLER ARM CONTROLS**

Offset steering arm provides excellent line of sight for operators. Right angle stacking in aisles as narrow as 60".

Travel, lift, and lower functions are located in the ergonomic operator handle. All operator controls are accessible without having to lift the hand from the handle.

Angle grips are designed to allow easy operation with either hand. Wrap around guard, reversing switch, thumb control, and horn are standard. Low mounted tiller arm offers excellent operator comfort and minimum steering effort.

#### **FRAME AND MAST**

Unitized all steel construction for added durability.

S22-62R non-telescoping mono mast with single lifting chain, adjustable mast rollers. Chrome plated lift cylinder provides smooth lift/lower operation and long life.

Fully enclosed wheel guard and flush mounted axles prevent wheel and axle damage during normal use.

# S22-62R

## Powered Drive Forkover Stacker

FORK-OVER DESIGN OFFERS AN IDEAL WAY TO EFFICIENTLY HANDLE WIRE BASKETS, PLASTIC PALLETS, AND SKIDS. TRUCK OUTRIGGERS ARE POSITIONED UNDERNEATH THE FORKS

#### **SERVICEABILITY**

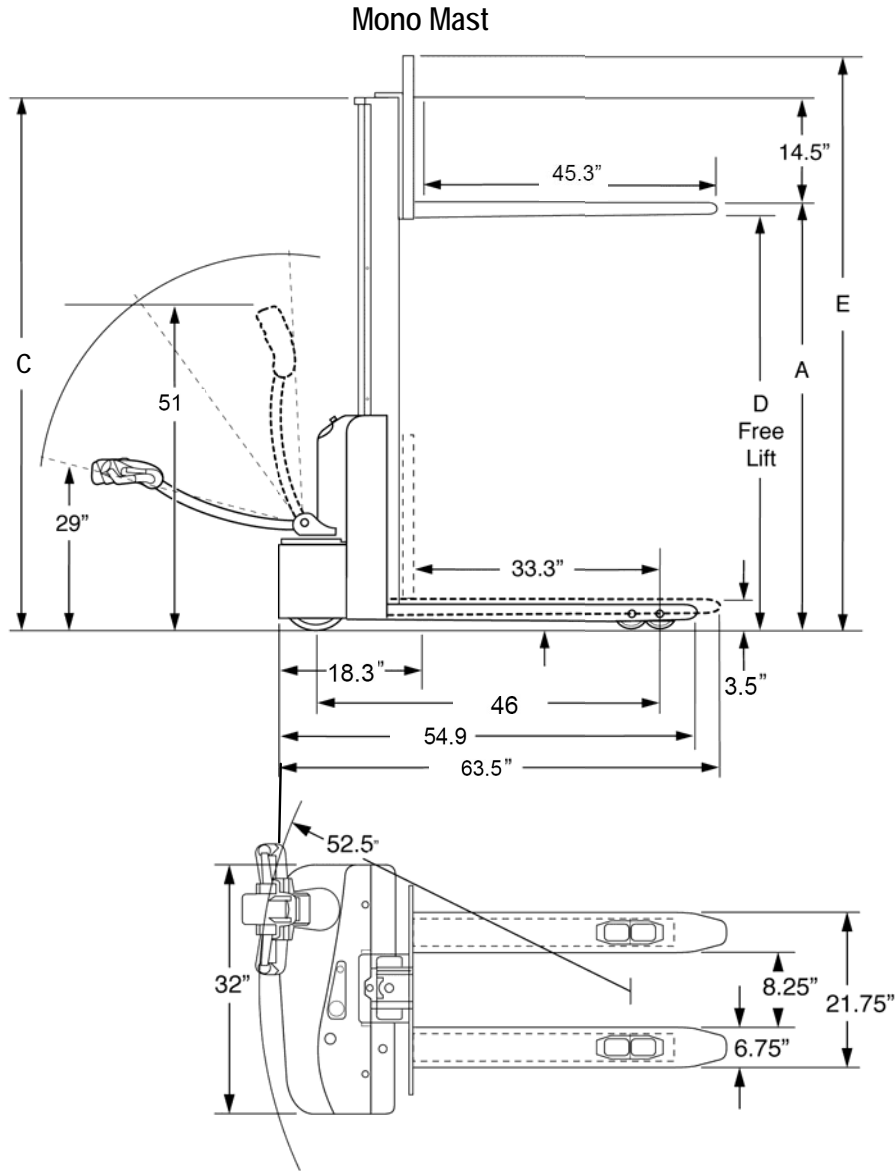
Removable one piece power head cover allows for easy maintenance.

#### **OPTIONAL BATTERY UPGRADE**

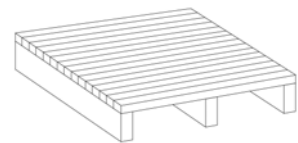
- 85AH available on model S22-62
- Hand held remote lift & lower control box with 3' coiled cord

#### **FORKOVER RIGID CARRIAGE**

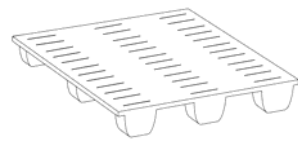
Forkover style forks are fixed on a rigid carriage and nest over the straddle legs. Standard fork is 45" long x 6.75" wide x 2.25" thick.



Skids, bins, and pallets without bottom boards are all loads that can be lifted by an S22 forklift



Pallet without Bottom Boards



4-Way Plastic Pallet



Skid

Model #	Mast	Lift Height	Col Height	Free Lift	Ext Height w/LBR	Fixed Straddle Legs		Weight Complete <sup>3</sup>
		A	C			ID	OD	
2200 Capacity @ 24" Load Center / Forkover - Rigid Fork Carriage								
S22-62R	Mono	62	76.5	56	77	10.0	19.9	1125

<sup>3</sup> Complete weight includes truck, battery and charger