



# PDX20

## Power Drive Intermediate Straddle Trucks

This series has a short turning radius and 24V power making it an excellent choice for narrow aisles, tool rooms or street level loading.



### CAPACITY

2000 lbs. at 24" load center

### BATTERY

Two 12V poly-cased batteries connected in series, providing a 24V power source at 85AH

### CHARGER

Internal automatic smart charger. Input: 120VAC-1Ø-60hz Output: 15A. Supports gel, absorbed glass and flooded lead acid batteries.

### PERFORMANCE

Curtis® transistor travel control

#### TRAVEL

Variable from 0 mph to 3.0mph empty  
Variable from 0 mph to 2.2 mph loaded

#### LIFT

Up to 39 fpm empty.  
Up to 26 fpm loaded—2000 lbs

#### LOWERING

Up to 20 fpm empty.  
Up to 56 fpm loaded—2000 lbs

### CHASSIS WEIGHT

1600 lbs with batteries (max.)

### TIRES

#### DRIVE WHEEL

9" x 3" polyurethane

#### LOAD WHEELS

4" x 2.75" polyurethane

**CONTROL HANDLE** Designed to allow smooth operation with either hand. Protective wraparound hand guard, rubber hand grips, horn, "Belly But-ton" reversing switch, thumb and twist grip travel control are all standard.

### HYDRAULICS

Self-contained hydraulic power unit.

Infinitely variable ball-type lowering valve provides a full range of low-ering speeds for optimum control.

Premium design lift cylinder provides smooth lifting and lowering and long life with minimal maintenance.

Full system filtration prevents contaminants from entering the hydraulic system. Pressure compensating flow control valve at base of lift cylinder regulates lowering speeds.

### ELECTRICAL

All cables and wires are numbered for easy service and tracing. Control circuits are fuse-protected, and use plug-in type connector.

Zapi motor controller provides infinitely variable travel speeds with efficient use of battery power.

Hydraulic lift pump motor is specially designed for peak electrical efficiency at specific torque and rpm levels.

### DRIVE SYSTEM and BRAKES

Compact, open frame 24V DC drive motor provides ample torque and RPM at low current and temperature levels.

Electric disc brake is mounted on the drive motor armature shaft utilizing the 25:1 gear ratio transmission to multiply the braking force for safe

The drive motor, transmission, brake and drive wheel are coupled to the control arm via pivot tube that provides the operator direct control of all drive functions.

The entire drive system is mounted within the truck frame for maximum protection.

### ACCESSIBILITY

Removal of one piece power head cover exposes major components for inspection and maintenance.

### OPTIONAL EQUIPMENT

- 36" wide fork carriage
- Remote lift/lower box
- Adjustable straddle legs
- Rigid fork carriage
- 1500 lbs capacity

### OPTIONAL ATTACHMENTS

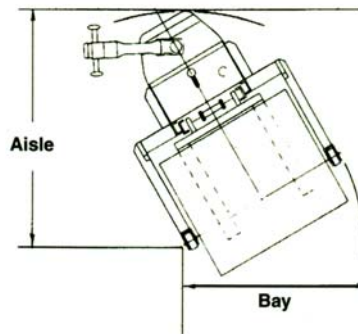
- Boom with hook
- Die handler—manual
- Ram
- Removable load platform
- Roller bed

### RIGID FORK MODELS

### Right Angle Stacking Aisle Dimensions

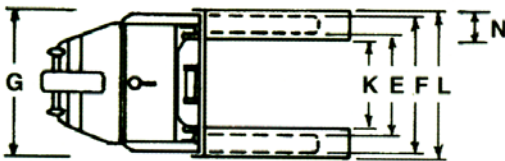
Load Length	Load Width			
	36"	40"	42"	48"
36"	66"	66"	68"	69"
42"	66"	66"	68"	69"
48"	80"	80"	79"	77"

- Aisle dimensions listed have zero clearance
- Add 12" for ease of use



Note: Aisle dimensions listed above assume the bay width to be straddle OD plus 2" (1" on each either side of straddle leg). Straddle OD is the load width plus 10"

### TELESCOPIC AND ADJUSTABLE FORK MODELS



Model #	Lift Height	<sup>1</sup> Col Height		Ext Height	Straddles Standard			Overall Width	Power Head Length	<sup>4</sup> Overall Length	Turn Radius	Forks Dimensions					Ship Weight
		A	B		C	<sup>2</sup> Length	ID					OD	ID	OD	Length	Width	
					D	E	F	G	H	J		K	L	M	N	O	

#### 2000 Capacity @ 24" Load Center, (R) Rigid Fork Carriage, Non-Telescopic

PDX2024-R5	60	74.8	76	29.4	16.62	24.62	29.5	25	55	53	15.3	26	30	5.4	4.5	1175
PDX2024-R6	72	86.8	88	29.4	16.62	24.62	29.5	25.9	55	53	15.3	26	30	5.4	4.5	1200

#### 2000 Capacity @ 24" Load Center, (A) Adjustable Fork Carriage, Non-Telescopic

PDX2024-A5	57	74.8	76	29.9	26 or 42	34 or 50	29.5	27.9	58	56	6	24	42	4	1.75	1275
PDX2024-A6	69	86.8	88	29.9	26 or 42	34 or 50	29.5	27.9	58	56	6	24	42	4	1.75	1300
PDX2024-A7	81	98.8	100	29.9	26 or 42	34 or 50	29.25	27.9	58	56	6	24	42	4	1.75	1325

PDX2024-T8	96	69	116	29.4	30 or 42	38 or 50	29.5	28.6	58	56	10.1	24	42	4	2.5	1375
PDX2024-T9	108	75	128	29.4	30 or 42	38 or 50	29.5	28.6	58	56	10.1	24	42	4	2.5	1400
PDX2024-T10	120	81	140	29.4	42	50	29.5	28.6	58	56	10.1	24	42	4	2.5	1425
PDX2024-T11	132	87	152	29.4	42	50	29.5	28.6	58	56	10.1	24	42	4	2.5	1450
PDX2024-T12	144	93	164	29.4	42	50	29.5	28.6	58	56	10.1	24	42	4	2.5	1475

<sup>1</sup> For adjustable straddles add 3.25" to the overall collapsed height

<sup>2</sup> To face of forks

<sup>3</sup> Face of fork to end of load wheels

<sup>4</sup> To end of load wheels.

