

PDC25

Power Drive Counterbalanced



THIS SERIES REPRESENTS THE WALKIE LIFT TRUCK VERSION OF THE SIT-DOWN RIDER LIFT TRUCK. IDEAL CHOICE WHEN HANDLING OR STAGING A VARIETY OF LOAD SIZES.

CAPACITY

2500 lbs. 24" load center

BATTERY

Compartment : 31.4" x 13.1" x open
Anderson SB-175 gray connector

PERFORMANCE

24-volt transistor travel controller

TRAVEL

From 0 mph to 3.0 mph empty
From 0 mph to 2.8 mph loaded

LIFT

Up to 42 fpm empty
Up to 22 fpm loaded

LOWERING

Up to 28 fpm empty
Up to 56 fpm loaded

DUAL TILT CYLINDERS

3° forward 9° back

CLASS II ITA FORKS

36", 42" or 48" x 4" x 1.5" thick

TIRES

DRIVE WHEEL

10.5" x 5" crowned polyurethane

LOAD WHEELS



CONTROL HANDLE "All Steel"

Designed to allow smooth operation with either hand. Protective wraparound hand guard, rubber hand grips, horn, "Belly Button" reversing switch, thumb and twist grip travel control are all standard.

HYDRAULICS

The dashboard mounted lift and lower lever allow uncomplicated and precise load placement. Infinitely variable ball-type lowering valve provides a full range of lowering speeds for optimum control. Premium design lift cylinder provides smooth lifting and lowering. Pressure compensating flow control valve at base of lift cylinder regulates lowering speeds.



ELECTRICAL

All cables and wires are color coded and or numbered for easy service and tracing. Control circuits are fuse-protected, and use plug-in type connector.

Curtis® travel controller provides infinitely variable travel speeds with efficient use of battery power.

Hydraulic lift pump motor is specially designed for peak electrical efficiency at specific torque and rpm levels.

DRIVE SYSTEM and BRAKES

Compact, open frame 24V DC drive motor provides ample torque and RPM at low current and temperature levels.

Direct drive full oil bath transmission, operates through a 25:1 transmission ratio to multiple the braking force for safe stopping performance.

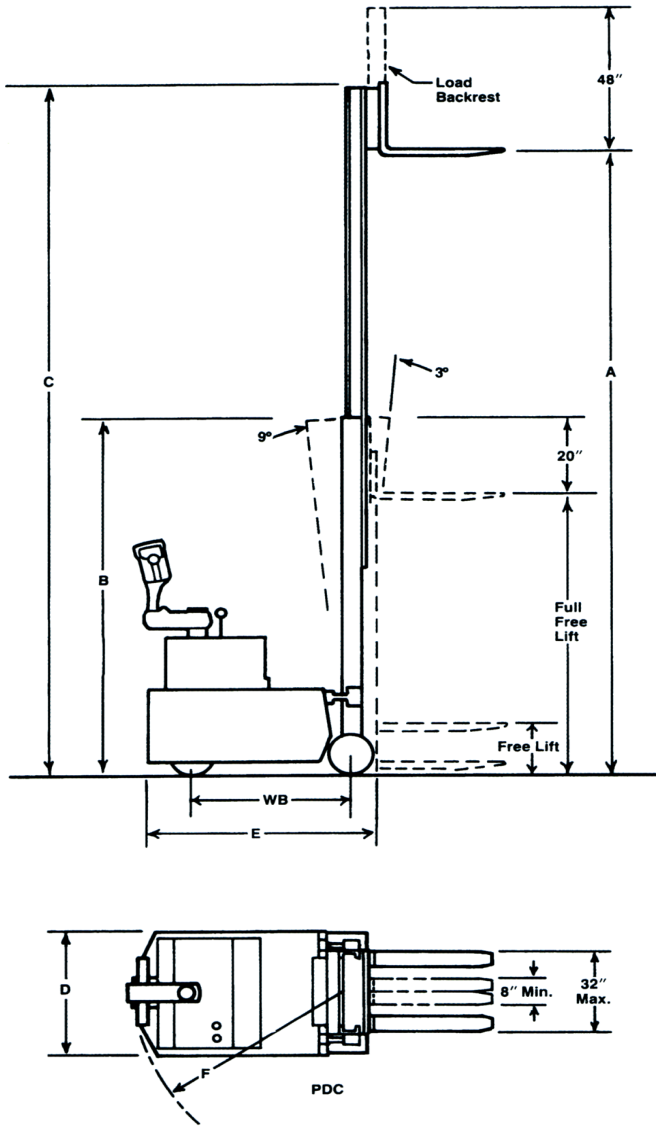
The drive motor, transmission, brake and drive wheel are coupled to the control arm via pivot tube that provides the operator direct control of all drive functions.

ACCESSIBILITY

Removal of one piece power head cover exposes major components for inspection and maintenance.

OPTIONAL EQUIPMENT

- Hour meter
- Battery discharge indicator (BDI)
- Key switch
- Lift lock out
- Remote lift/lower buttons in handle
- Remote lift and lower control box
- 36", 42" or 48" wide fork carriage
- Cold conditioning
- Side shifting fork carriage



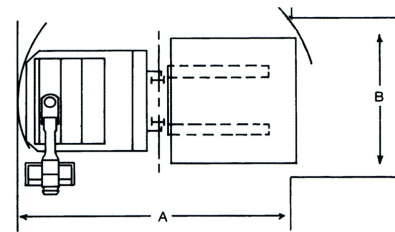
Right Angle Stacking Requirements

Aisle Dimensions

A = Aisle B = Bay

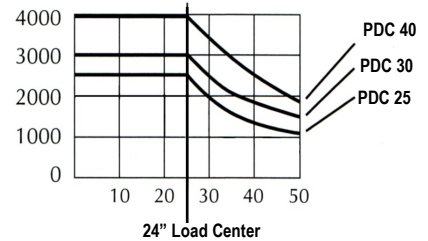
Model Number	Truck Length	Load Size					
		36" x 36"		42" x 42"		48" x 48"	
		B	A	B	A	B	A
PDC-25	61"	42"	98"	48"	104"	54"	110"
PDC-30	67"	42"	104"	48"	110"	54"	116"
PDC-40	73"	42"	110"	48"	116"	54"	122"

- Aisle dimensions listed have zero clearance
- Add 12" for ease of use



Load Capacity Chart

154" Maximum Lift Height



Model #	Capacity at 24" Load Center	Lift Height	Col Height	² Ext Height	² Free Lift Height	Overall Width D	Power Head Length E	Turn Radius F	CL LOAD WHEEL TO CL DRIVE WHEEL WB	Battery 24V	Charger 24V	³ Ship Weight
		A	B	C								
PDC 25 Series												
PDC 25-60 Non-Tel	2500	60	77	80	57	36	61.4	53.8	43.3	340 AH (721 lbs.)	40 Amp (60 lbs)	3870
PDC 25-106	2500	106	71	123	12	36	61.4	53.8	43.3			4315
PDC 25-130	2500	130	83	147	12	36	61.4	53.8	43.3			4420
PDC 25-154	2500	154	95	171	12	36	61.4	53.8	43.3			4600
PDC 25-168	2500	168	102	185	12	36	61.4	53.8	43.3			4675
PDC 25-158 Trimast™	2500	158	71.75	178	51	36	61.5	53.8	43.3			4760
PDC 25-194 Trimast™	2500	194	83.75	214	63	36	61.5	53.8	43.3			4890

PDC 25-194 derates 500 lbs. above 158"

² Add 31" for 48" tall load backrest

³ Estimated shipping weight without battery