



MSA22

Pump-Up Manual Straddle Truck

CAPACITY

2200 lbs. @ 24" Load center

CHASSIS WEIGHT

600 lbs.

FORKS

42" Long x 4" Wide x 1.4" Thick

WHEELS

SWIVEL CASTER

(2)6" x 2" phenolic

LOAD—STEEL HUB

(2)3.75" x 1.75" phenolic



CONTROLS

Hydraulic lifting by foot lever

Two position fold down steer bar

Foot actuated floor lock on rear swivel casters

HYDRAULICS

Galvanized housing, Fully sealed precision welded pump assembly Hardened chrome lift cylinder

FRAME AND MAST

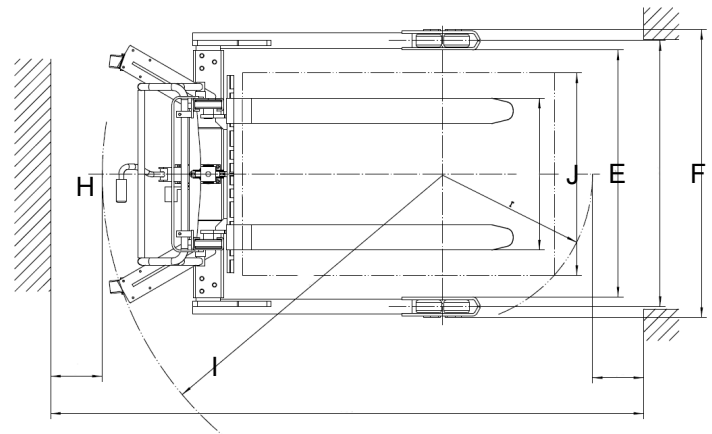
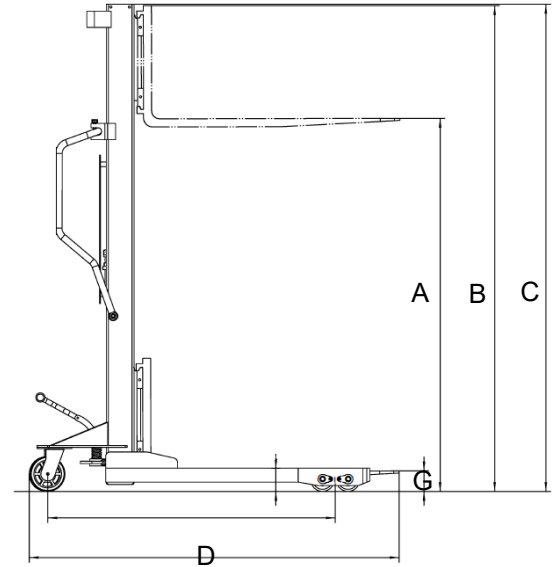
All steel construction with welded rigid steel chassis for distortion free service life

Adjustable forks on ITA style carriage

High visibility mast with single lifting chain, heavy duty mast rollers

Adjustable straddle legs

Plexiglass mast guard



Model #	Lift Height	Col. Height	Ext. Height	Adjustable Straddle Legs			Lowered Fork Height	Pumps to Maximum Elevation	Turning Radius	Carriage Width	Ship Weight
	A	B	C	Length	ID	OD					

2200 lbs. @ 24" Load Center

MSA22-62	62	82	82	63	38, 42, 46, 50	44, 48, 52, 56	3.0	90	51	30.7	700
MSA22-96	96	70	117.6	63	38, 42, 46, 50	44, 48, 52, 56	3.0	140	51	30.7	750

Measurements in inches