

6. **SCREEN:** Place the screen on the floor of the bin.
7. **GROUND STAPLES:** Secure the screen flat onto the ground by pushing a ground staple through the screen in each corner. **Figure 5.**
8. **DOOR:** Slide the front door into the slot you have made in front of the braces. **Figure 6.**
9. **HANDLE:** Insert the spindle of the handle into the large pre-drilled hole in the lid. Using the small bolts provided, tighten the bolts into the handle through the small pre-drilled holes. **Figure 7.**
10. **CAM:** Push the cam onto the spindle as high as it will go. Tighten the cam onto the spindle with the set screw. **Figure 8.**

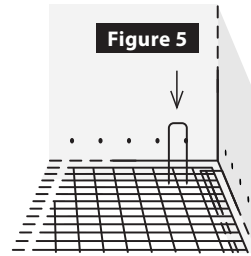


Figure 6

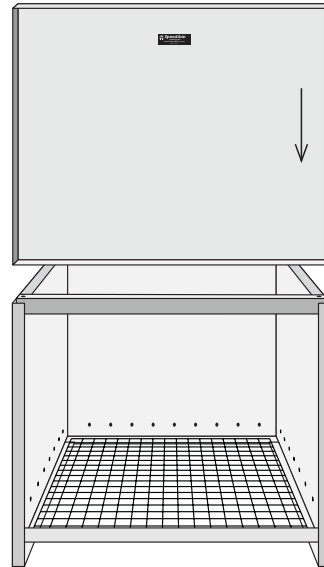


Figure 9

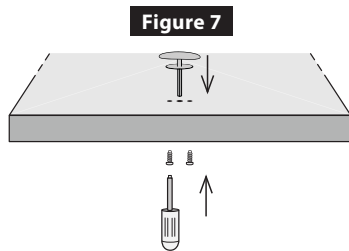
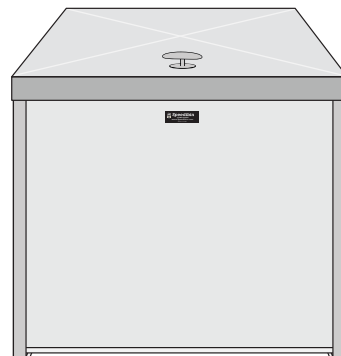
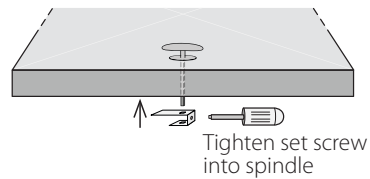


Figure 8



11. **LID:** Put the lid onto the Speedibin. Ensure that the lid's back tab tucks under the tab on the back panel. Twist the handle to lock out raccoons.
12. Done! **Figure 9.**



## Assembly Instructions

Only two screwdrivers needed: a regular flathead and a #2 Robertson screw driver (that's the square-head with the red handle). Wear work gloves when handling the sheet metal during assembly.

### Parts List

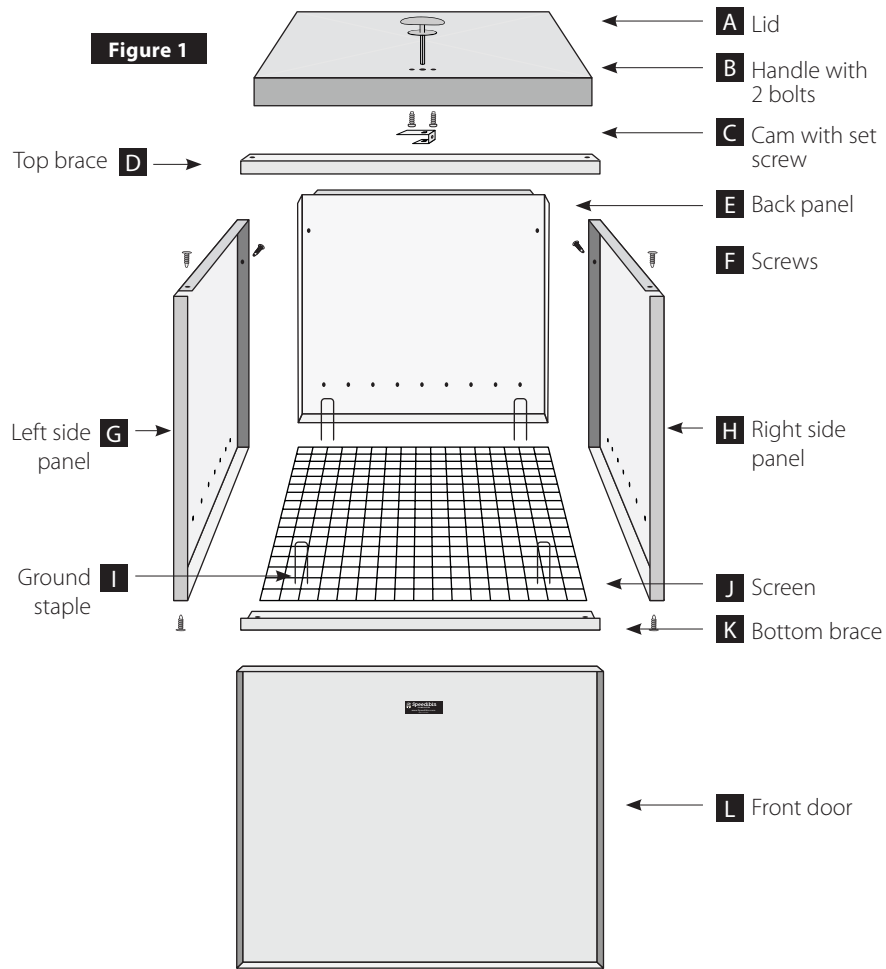
<b>A</b> Lid	<b>E</b> Back panel	<b>I</b> Ground staples (4)
<b>B</b> Handle with 2 bolts	<b>F</b> Screws (6)	<b>J</b> Screen
<b>C</b> Cam with set screw	<b>G</b> Left side panel	<b>K</b> Bottom brace
<b>D</b> Top brace	<b>H</b> Right side panel	<b>L</b> Front door

### Tips

1. Toss in your mix of greens, browns, kitchen scraps, coffee grounds, lawn clippings, leaves, and even shredded paper or cardboard such as the Speedibin packaging material.
2. If you can, in a few days or when it heats up, turn over the compost.
3. Grass clippings heat the pile. If it reaches 60C (140F) most weed seeds are killed.
4. When you have created a rich black loam – in a few weeks or much longer in the winter – use your compost on your garden.
5. Sit back and enjoy the lush growth in your garden!

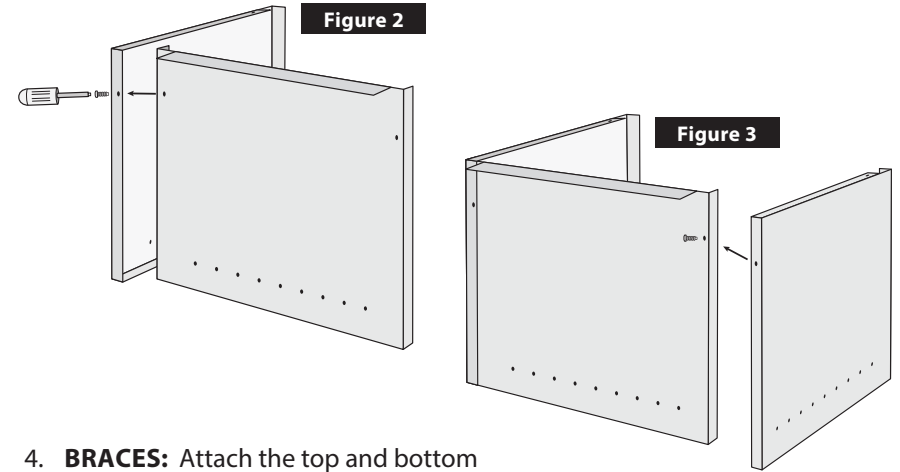
## Assembly Instructions

- LOCATION:** Select a suitable area on the ground, preferably close to the source of your compostable material. The ground must be level so that the screen sits flat. A sunny location may slightly speed the composting but may also necessitate watering. It needs to be on earth or grass. Worms and microorganisms cannot get through concrete!
- Identify all the pieces. **Figure 1**

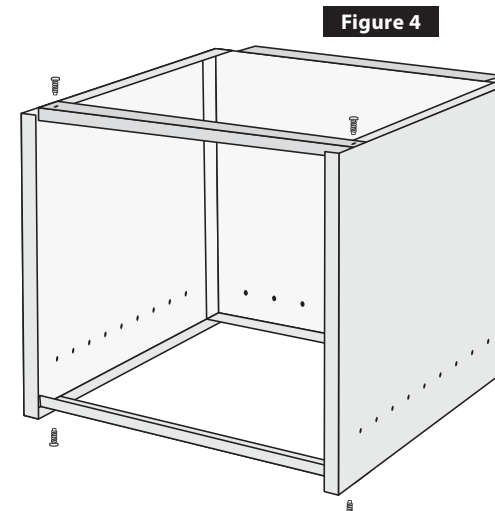


2

- SIDES:** Screw one side panel to the back panel using the screws provided. White sides inside, dark sides out. **Figure 2.** Screw the other side to the back panel. **Figure 3.**



- BRACES:** Attach the top and bottom braces to the pre-drilled holes on the side panels using the screws and your #2 Robertson screwdriver. It is a little easier to do the top brace first. **Figure 4.**



3

- This is a good time to move the bin to exactly where you want it. Then check that it is perfectly square. An easy way to test for square-ness is to put the lid on.