



Speedibin

COMPOSTER

Assembly Instructions

SPEEDIBIN DELUXE

You do not need tools as the wing nuts can be finger tightened onto the bolts. However, if you want to tighten more securely, use a Philips #2 and a crescent wrench. Wear work gloves when handling the sheet metal during assembly.

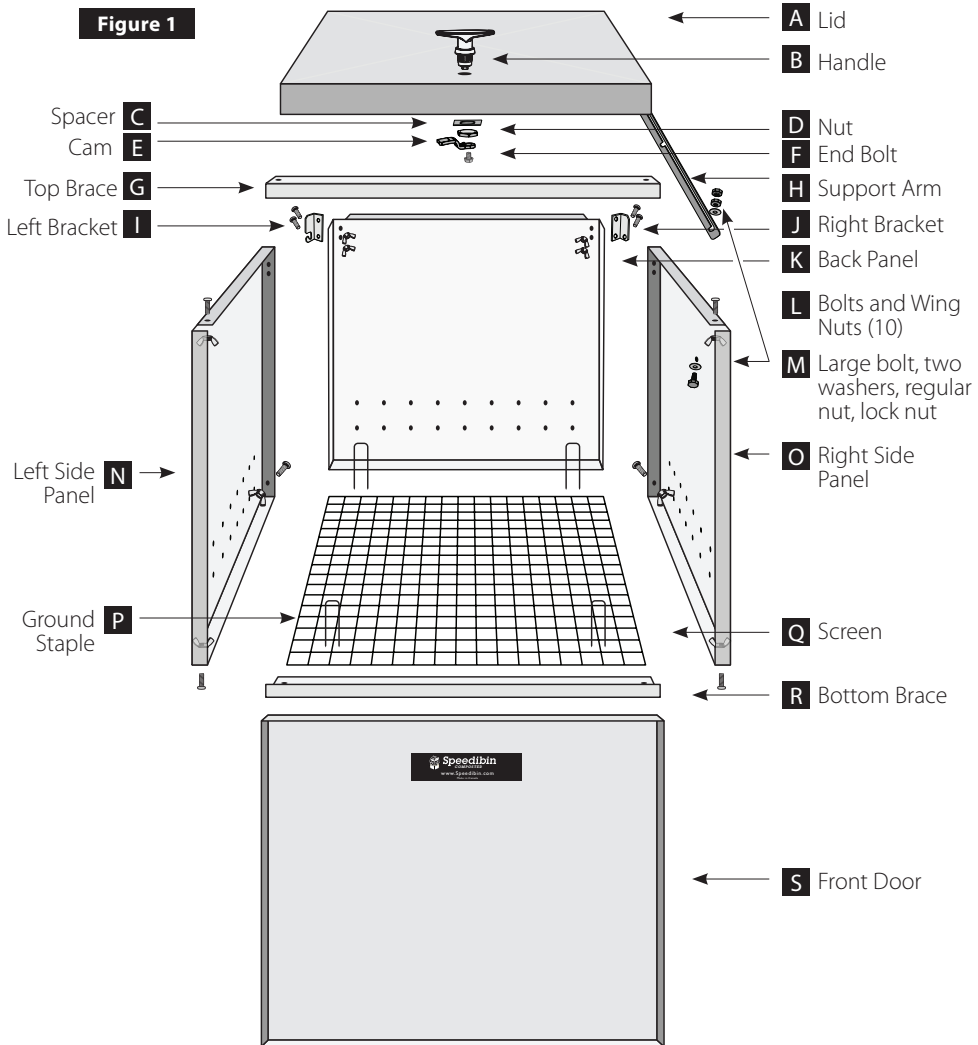
1. **LOCATION:** Select a suitable area on the ground, preferably close to the source of your compostable material. The ground must be level so that the screen sits flat. A sunny location may slightly speed the composting but may also necessitate watering. It needs to be on earth or grass. Worms and microorganisms cannot get through concrete!
2. Identify all the pieces. **Figure 1**
3. **RIGHT BRACKET:** Attach the right side panel to the back panel through the right bracket. Green sides out, gray sides in. The single hole of the bracket goes to the bottom. Line up the two matching pre-drilled holes and secure with two bolts and wingnuts. Finger tight is good or you can tighten with a Philips screwdriver. **Figure 2.**

Parts List

A Lid	K Back Panel
B Handle	L Bolts and Wing Nuts (10)
C Spacer	M Large bolt, two washers, regular nut, lock nut
D Nut	N Left Side Panel
E Cam	O Right Side Panel
F End Bolt	P Ground Staples (4)
G Top Brace	Q Screen
H Support Arm	R Bottom Brace
I Left Bracket	S Front Door
J Right Bracket	

TIPS

1. Toss in your mix of greens, browns, kitchen scraps, coffee grounds, lawn clippings, leaves, and even shredded paper or cardboard such as the Speedibin packaging material.
2. If you can, in a few days or when it heats up, turn over the compost.
3. Grass clippings heat the pile. If it reaches 60C (140F) most weed seeds are killed.
4. When you have created a rich black loam – in a few weeks or much longer in the winter – use your compost on your garden.
5. Sit back and enjoy the lush growth in your garden!



- LEFT BRACKET:** Attach the left side to the back panel through the left bracket. The open slot of the left bracket goes to the bottom. Secure with two bolts and wing nuts. **Figure 3.**
- SIDES:** Finish securing the two sides to the back panel with another bolt and wing nut each, near the bottom. **Figure 4.**

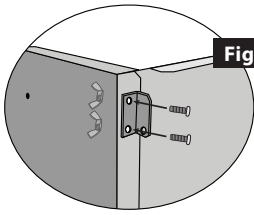


Figure 2

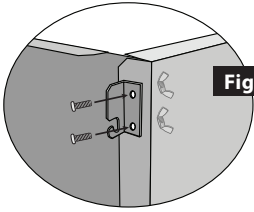


Figure 3

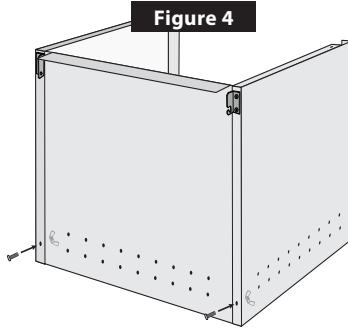


Figure 4

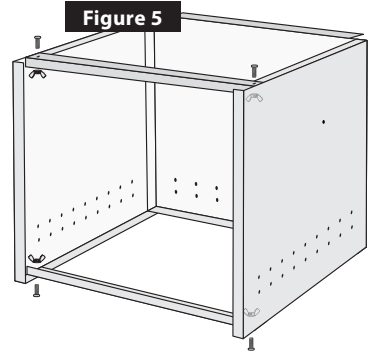


Figure 5

6. **BRACES:** Attach the top and bottom braces to the side panels by pushing a bolt through the pre-drilled holes and fastening with a wing nut. It is a little easier to do the top brace first. **Figure 5.**

7. **SCREEN:** Place the screen on the floor of the bin.

8. **DOOR:** Slide the front door into the slot you have made in front of the braces. **Figure 6.**

9. **HANDLE INSTALLATION: Figure 7**

- Remove nut and end bolt. You may need the Phillips screwdriver for the end bolt.
- Place the handle through the mounting hole of the lid, making sure that the black rubber washer is on the shaft first.
- Place square spacer plate on the handle shaft.
- Tighten nut onto handle.
- Put the cam onto the shaft so that the raised notch slots into the groove on the shaft.
- Insert the end bolt and tighten with the Philips screwdriver.
- Ensure that the cam turns in the correct direction to catch the top brace.

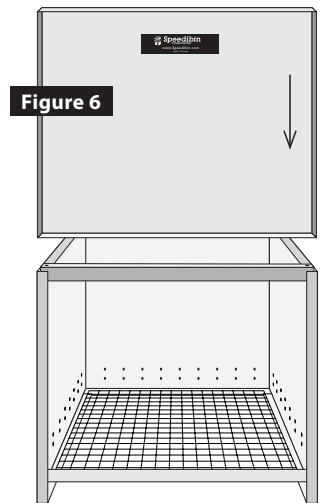


Figure 6

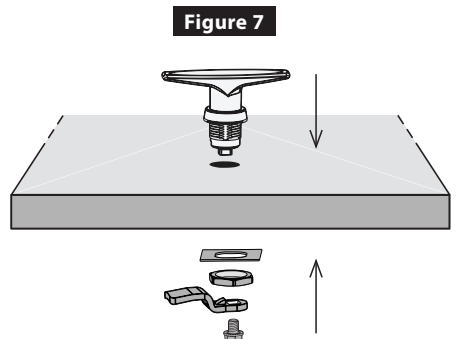


Figure 7

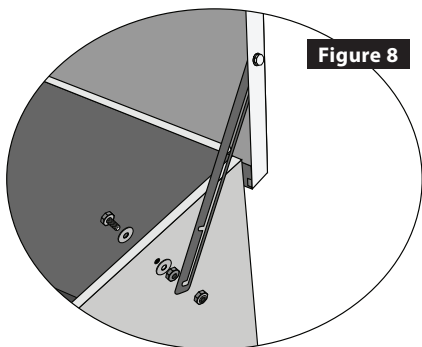


Figure 8

10. **SUPPORT ARM BOLT:** Put a washer on the large bolt and push it out through the hole on the right side panel. Place the second washer on the bolt and tighten the regular nut onto the bolt. **Figure 8.**

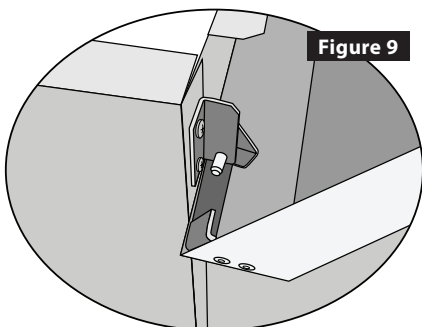


Figure 9

11. **LID:** Attach the lid by inserting the lid's right hinge pin into the hole in the right bracket on the back panel. **Figure 9.** Slide the lid's left hinge pin into the slot in the left bracket. **Figure 10.**

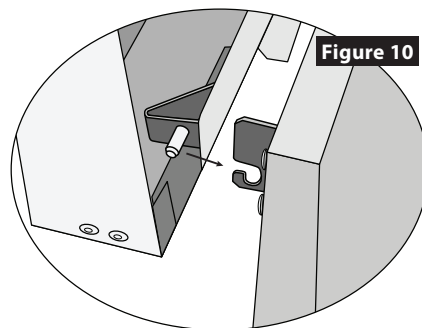


Figure 10

12. **SUPPORT ARM:** Push the slider opening of the support arm onto the bolt now sticking out of the right panel. Tighten the lock nut onto the bolt. The support arm slides between the regular nut and the lock nut. **Figure 8.** Best to tighten the lock nut with a crescent wrench (or a 7/16" wrench) until the lock nut is flush with the bolt. The lid will now hold in place when the bolt is in a notch in the support arm at either $\frac{3}{4}$ open or fully open. Close the lid to test that the bin is square and level. Twist the handle to lock out raccoons.

13. **GROUND STAPLES:** Secure the screen flat onto the ground by pushing a ground staple through the screen in each corner. **Figure 11.**

14. Done! **Figure 12.**

