

## APPLICATION INFORMATION

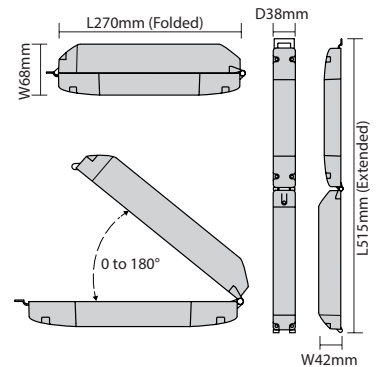
- EDUCATION PROVIDERS
- OFFICES
- RETAIL

The EMLEDKIT2 and EMLEDKIT3 provide a simple plug-and-play emergency conversion for a range of LED Panels. The units provide a constant power output of 2W or 3W and are operable on LED arrays with a voltage requirement between 9 and 55V DC. The flexi construction enables the unit to be used in confined spaces.



## SPECIFICATION

Mains Frequency	50/60Hz
Power Consumption:	4VA
Material:	Plastic
Emergency Duration:	3 Hours
Charging Time:	24 Hours
Batteries:	NiCd 2.4V / NiCd 3.6V
Guarantee:	5 Years
Working Temperature:	5°C - 35°C
Extra Information:	Complies to IEC 61347-2-7. Do not include LED drivers. Emergency constant power output of 2W or 3W. Manufactured in the UK.



Operable on LED arrays with a voltage requirement between 9 and 55V DC. Protection class 1. Suitable for installation to EN50172 and BS7671. The battery has a designed service life of 4 years and must be replaced in a timely manner to ensure the integrity of the emergency lighting system is maintained. In any case, the battery should be replaced when it no longer provides the rated duration (3 hours). Weight: 0.7KG / 0.8KG

MODEL	BATTERY	CONNECTORS	DIMENSIONS (FOLDED) L x W x D MM)	DIMENSIONS (EXTENDED) L x W x D MM)
EMLEDKIT2	2.4V	LOCKING 2.1MM DC	270 x 38x 68	515 x 38 x 42
EMLEDKIT3	3.6V	NON-LOCKING 2.1MM DC	270 x 38x 68	515 x 38 x 42