



APPLICATION INFORMATION

- EDUCATION PROVIDERS
- HOSPITALITY
- RESIDENTIAL

The 18W Diecast LED Bulkheads are a versatile range, suitable for use where robust lighting is required in areas where there is high footfall, for example corridors. They are available with emergency and photocell options.



220-240V



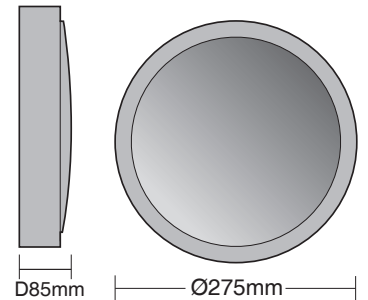
18W

IP65

IK08

SPECIFICATION

LED:	96pcs of 0.2W 2835 San'an Hongli LED
Material:	Diecast aluminium body and polycarbonate diffuser
Lumen Output:	1400lm (220lm in emergency mode)
Colour Temperature:	4000K
Guarantee:	3 Years
Life Expectancy:	30,000 Hours
Working Temperature:	-20°C - 50°C
Power Factor:	>0.93
Beam Angle:	120°
CRI:	>80
Extra Information:	Black finish Complies to EN 60598-1:2015, EN 60598-2-1:1989, EN 62031:2008+A1:2013+A2:2015, EN 62471:2008, EN 62493:2015, EN 55015:2013+A1:2015, EN 61547:2009, EN 61000-3-2:2014 and EN 61000-3-3:2013 Standards.



MODEL	EMERGENCY	PHOTOCELL	LUMEN OUTPUT (LM)	DIMENSIONS (Ø x D mm)
DBR18	NO	NO	1400	275 x 85
DBR18E	YES	NO	1400/220	275 x 85
DBR18PC	NO	YES	1400	275 x 85
DBR18EPC	YES	YES	1400/220	275 x 85