

A 144.5 mm x 7	B 316.5 mm x 45	C 661 mm x 4	D 488.7 mm x 4
E J3 x 11	F J4 x 14	G J5 x 5	H J6 x 1
I J3T x 2	J x 2	K x 1	L x 2
M x 1	N x 1	O x 1	P x 2
Q x 50	R		

ASSEMBLY INSTRUCTIONS

Complete assembly of the eezy peezy Play with 50 Balls must be conducted by an adult. This product contains small parts, which may be a choking hazard. Please keep all parts away from children until fully assembled.
If you have difficulty fitting any tubes around joiners, please use a wooden or plastic hammer(not included) and apply minimum force until tube fully surrounds joiner (Figure a). Then align tube hole with the joiner spring until it clicks securely into place (Figure b).

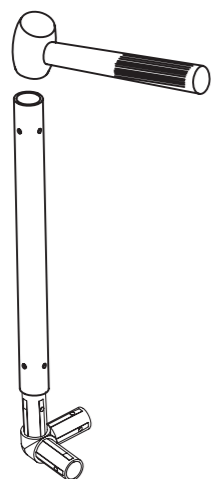


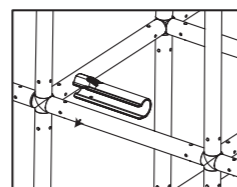
Figure a.



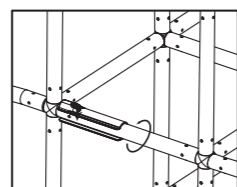
Figure b.

DISASSEMBLY INSTRUCTIONS

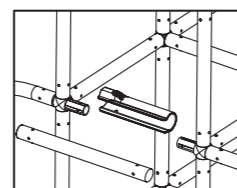
For disassembly, please follow steps below with dismantle tool supplied.



Step 1: Attach the dismantle tool to the tube as shown above. Make sure the curved pivot on the tool is aligned with the spring bead on the tube.



Step 2: Press the tool firmly until the spring bead is released from the tube as shown in above diagram.



Step 3: Once the spring bead is released, separate the tube from the joiner as shown in above diagram.

Warning! Please always use the dismantle tool supplied for disassembly. Otherwise the product maybe damaged by using other tools.

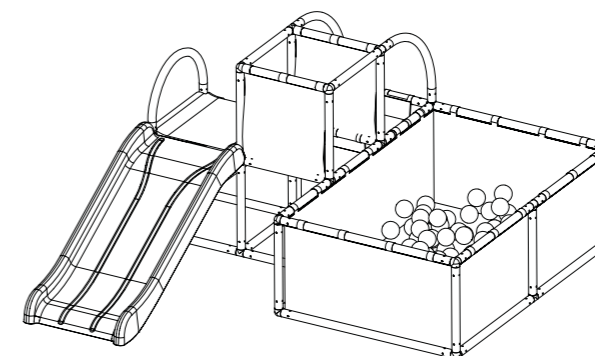
MAINTENANCE INSTRUCTIONS

1. Check all joiners and tubes before use every time for cracking or deterioration. If either the joiners or the tubes are cracked or damaged please replace the damaged part immediately. It is particularly important that this procedure be followed at the beginning of each season. Replacement should be made in accordance with the instructions. If these checks are not carried out the product could overturn or cause a fall.
2. Please make sure to carry out checks and maintenance of the main parts of this product at regular intervals. If these checks are not carried out, this product may could overturn or cause a fall. Please correctly assemble this product as per the instructions, otherwise it will cause danger to your child.
3. Check all nuts and bolts twice monthly during the usage season for tightness and tighten as required. It is particularly important that this procedure be followed at the beginning of each season.
4. Do not use when the temperature drops below 32 degrees F, (zero degrees Celsius).
5. Check all coverings for bolts and sharp edges twice monthly during usage season to be certain they are in place. Replace when necessary. It is especially important to do this at the beginning of each new season.

REPLACEMENT PARTS & SERVICE

Care has been taken during the manufacturing and packing of this product to ensure that you receive quality merchandise. However, should you have damaged or missing parts, do not return this unit to the store, please send email to us.
Our email address is: cs@toymonster.com

Manufactured by ToyMonster Ltd.
4-5th Floor, No.16, Lane 658, Jin Zhong Rd., Chang Ning District, Shanghai, PRC.
Tel: +86-21-6238-5522 Fax: +86-21-5218-0520
www.toymonster.com



eezy peezy Play with 50 Balls

Instruction Manual

Please read carefully before assembly and use

The eezy peezy Play with 50 Balls is a lightweight, easy to assemble fun activity centre for children from ages 12 months to 36 months.

It has the capacity to hold a maximum of 2 children at one time with a combined weight of 70 kilos.

Assembly by an adult.

Adult supervision required.

Warning! Keep away from fire!

WARNING: Prior to assembly, this package contains small parts which may be a choking hazard; please keep this product away from all children until it's assembled. Please dispose of all plastic bags immediately after assembly.

This product is intended for use by children from ages 12 months to 36 months. It is not intended for children under 12 months, and may cause injury, due to an inability to safely use the product.

Remember: Please inspect your eezy peezy Play with 50 Balls every time before use for any signs of deterioration. If the tubes or joiners are cracked or damaged, please replace the part immediately. Otherwise serious injuries will occur to you child.

Please keep this book in a safe place for future reference.

SAFETY AND USAGE INSTRUCTIONS

Your children's safety is our primary concern. Observing the following statements and warnings reduces the likelihood of serious or fatal injury. Help us ensure years of safe, active play by reading and following these recommendations.

1. The eezy peezy Slide with 50 Balls is designed for children of the ages of not less than 12 months and not greater than 36 months, with a total combined maximum weight of 70 kilograms. The maximum number of children using the product at one time is 2.
2. Children must be supervised at all times that this product is in use. This product is not suitable for children under 12 months old.
3. DO NOT wear loose fitting clothing or shoes, (i.e. draw strings on hoods, mitten cords, hat strings, scarves, helmets, ponchos or heavy necklaces). Children's loose clothing can cause a potential danger of strangulation while playing.
4. DO NOT walk close to, in front of, behind, or between moving equipment or children sliding.
5. DO NOT use this product in a manner other than intended.
6. DO NOT use this product when it is wet as it will become slippery and serious injury may result.
7. DO NOT attach additional items such as jump ropes, clothesline, pet leashes or other items not designed for use with the playground equipment, unless the attachment has our specific approval or is sold as one of our products, as they may cause a strangulation hazard.
8. DO NOT allow objects to be placed under the product. Boxes, bicycles, trikes, toys or any other hard object on the ground under the product will increase the risk of injury to children dropping to the ground.
9. DO NOT install this product over concrete, asphalt, packed earth, or any other hard surface. A fall onto a hard surface can result in serious injury to the product user.
10. DO NOT let children use this product until properly assembled. Place this product on LEVEL GROUND not less than 6.6 feet (2 m) from any structures or obstacles such as fences, overhanging branches, laundry or electrical lines, garages, sheds or houses.
11. Dispose of all packaging properly after unit has been assembled.

DISPOSAL INSTRUCTIONS

Please always remember to disassemble and dispose of the playground equipment in such a way that no unreasonable hazards will exist at the time the product is discarded.

