



US00D971614S

(12) **United States Design Patent** (10) **Patent No.:** **US D971,614 S**
Lash (45) **Date of Patent:** **** Dec. 6, 2022**

(54) **EDGE-STYLING MULTI-TOOL**
(71) Applicant: **PuffCuff LLC**, Marietta, GA (US)
(72) Inventor: **Ceata Lash**, Marietta, GA (US)
(**) Term: **15 Years**
(21) Appl. No.: **29/755,980**
(22) Filed: **Oct. 23, 2020**
(51) **LOC (13) Cl.** **28-03**
(52) **U.S. Cl.**
USPC **D4/117; D28/25**
(58) **Field of Classification Search**
CPC A46B 2200/104; A46B 2200/10; A46B
9/023; A46B 9/02; A46B 5/0016; A46B
15/0055; A46B 15/0059; A45D 24/16
See application file for complete search history.

(56) **References Cited**
U.S. PATENT DOCUMENTS
707,563 A * 8/1902 Durgin 132/120
1,118,432 A * 11/1914 Makowski 132/120
D137,637 S * 4/1944 Nelson et al. D28/25
2,602,457 A * 7/1952 Mele A45D 24/16
132/122
D339,235 S * 9/1993 Hirzel D28/7
D742,650 S * 11/2015 Albers D4/116
D744,758 S * 12/2015 Albers D4/121
D866,984 S * 11/2019 Odum D4/117
D884,358 S * 5/2020 Kweon D4/116
D892,507 S * 8/2020 Odum D4/117
D941,586 S * 1/2022 Russo D4/120
D941,587 S * 1/2022 Russo D4/120
D941,588 S * 1/2022 Russo D4/120
D948,873 S * 4/2022 Odum D4/117
2015/0181999 A1 * 7/2015 Albers A45D 26/0066
606/133
2022/0125177 A1 * 4/2022 Lash A45D 24/16

FOREIGN PATENT DOCUMENTS
JP D1705109 * 1/2022

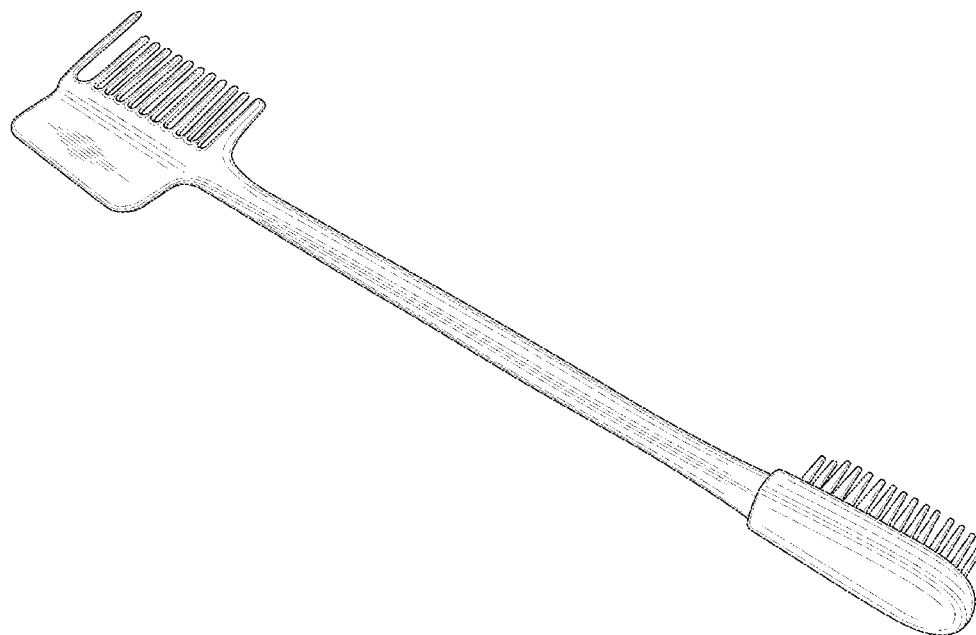
OTHER PUBLICATIONS
EdgeMaster 3-in-1 Edge Brush by cuffpuff [on-line]. [Original date of publication unknown.] [Retrieved from the Internet Jun. 17, 2022.] URL: <https://thepuffcuff.com/collections/all-1/products/edgemaster-3-in-1-edge-brush> (Year: 2022).*

* cited by examiner
Primary Examiner — Karen E Eldridge Powers
(74) *Attorney, Agent, or Firm* — Law Offices of John G. Posa

(57) **CLAIM**
The ornamental design for an edge-styling multi-tool, as shown and described.

DESCRIPTION
FIG. 1 is first perspective view of an edge-styling multi-tool; FIG. 2 is a second perspective view of the edge-styling multi-tool; FIG. 3 is first side view of the edge-styling multi-tool; FIG. 4 is an opposing side view of the edge-styling multi-tool; FIG. 5 is first edge view of the edge-styling multi-tool; FIG. 6 is an opposing edge view of the edge-styling multi-tool; FIG. 7 is comb-end view of the edge-styling multi-tool; and, FIG. 8 is brush-end view of the edge-styling multi-tool.

1 Claim, 5 Drawing Sheets



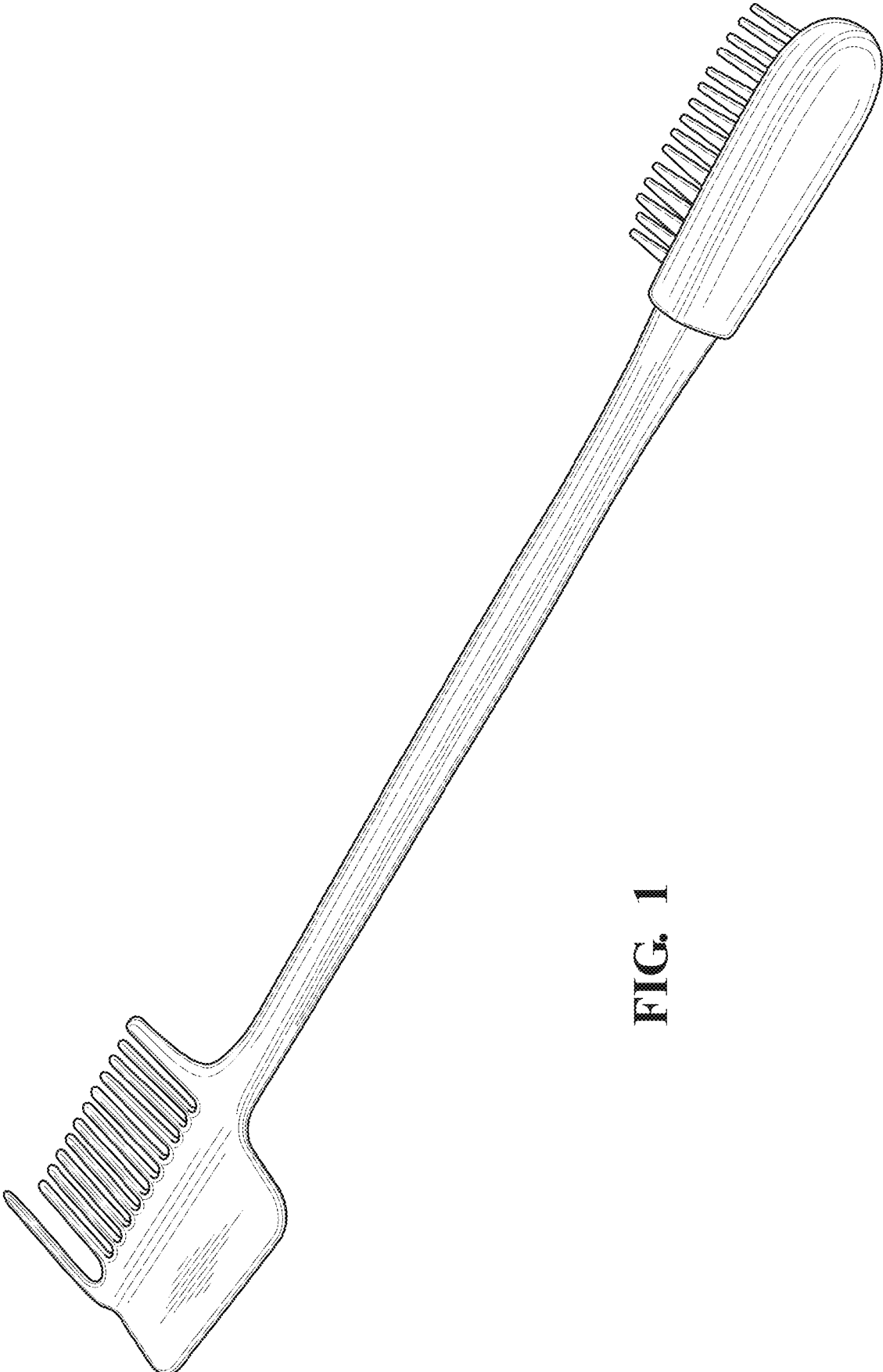


FIG. 1

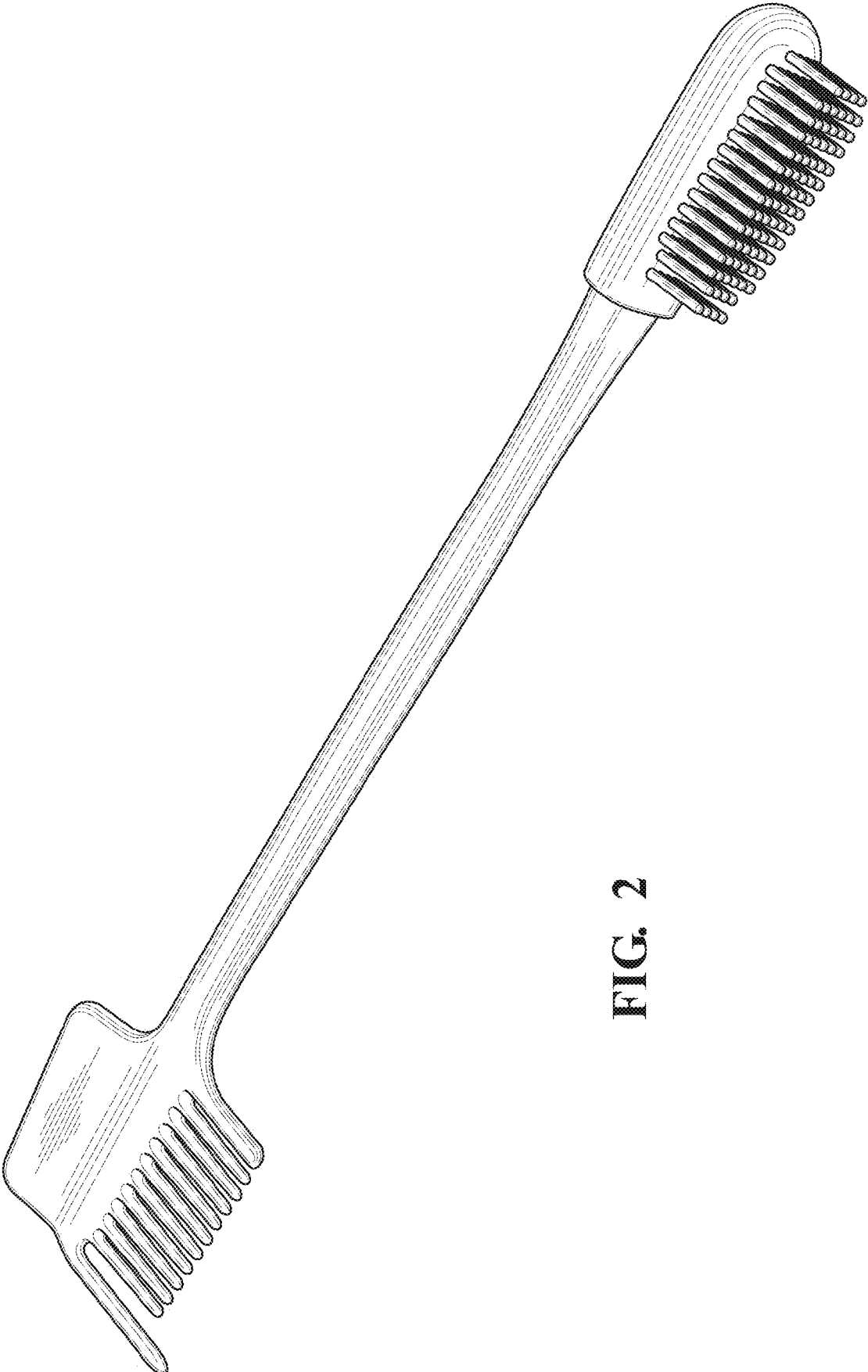


FIG. 2

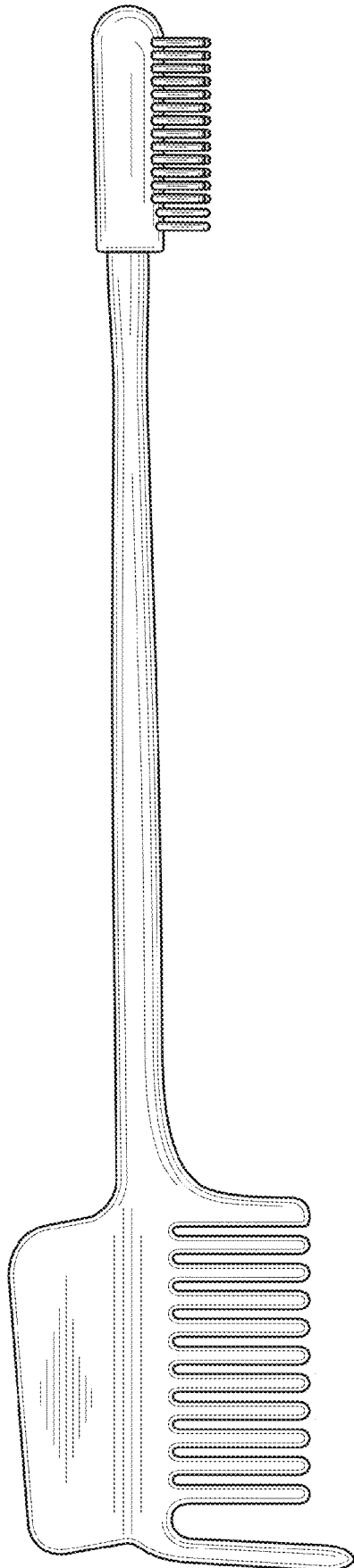


FIG. 3

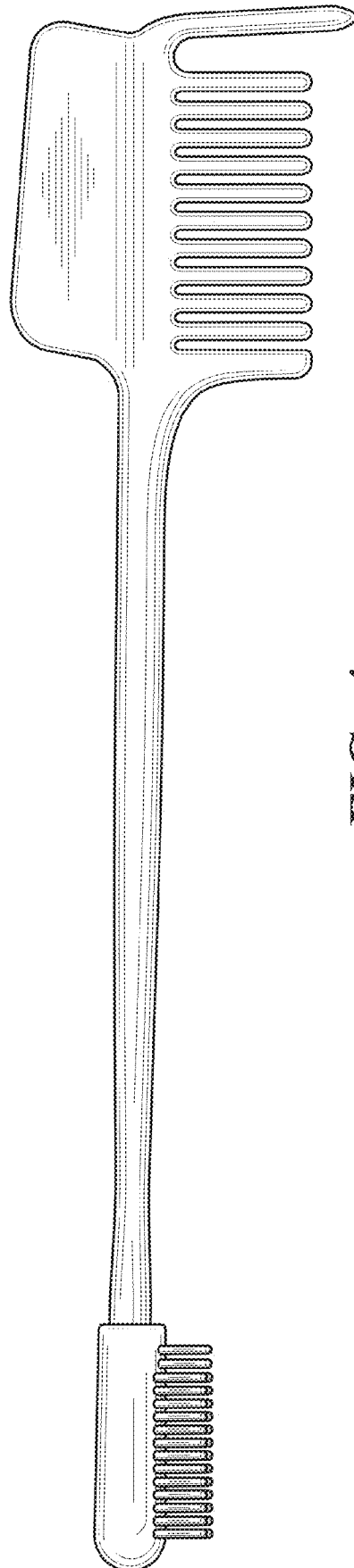


FIG. 4

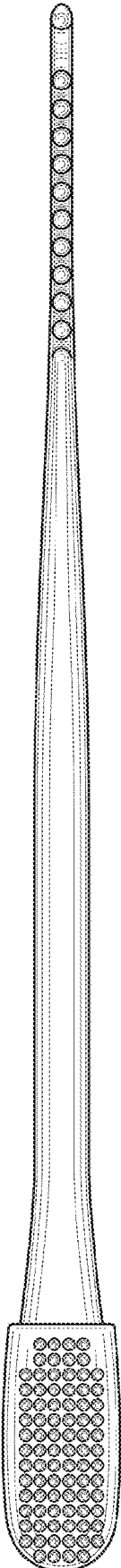


FIG. 5

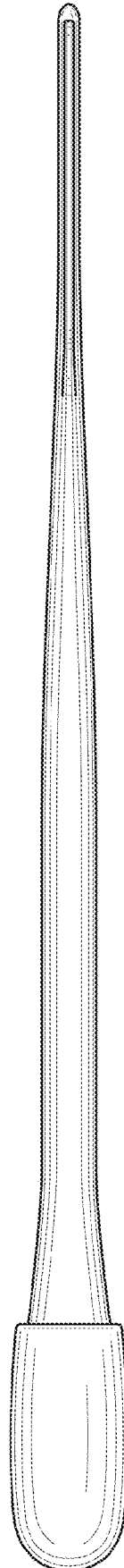


FIG. 6

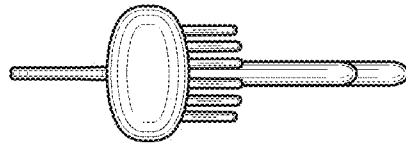


FIG. 8

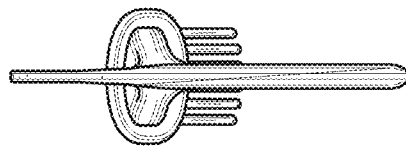


FIG. 7