



GeoSteel.

**Beauty in form and strength
in function, assuring the one
while retaining the other.**



GeoSteel

The **GeoSteel** line of welded wire forms from Geostar provides strong support for both hydro-seeded green walls or galvanized rock-filled wall systems. Typically employed in reinforced slopes greater than 45° (1V:1H), the GeoSteel L-shaped basket and strut system is available in black, electro-galvanized and hot-dipped galvanized.

Used as a supporting player in any slope solution, or in combination with our GeoGrid products for a total Geostar solution, GeoSteel holds on and holds up for a structurally sound and beautifully executed reinforced slope.

And GeoSteel, like all Geostar products, is strategically positioned by purpose, price, proximity and performance.

We have what you need, you can afford it, we can get it to you, and you'll get more than you need from it.

All in this steel basket.

geostar
technologies

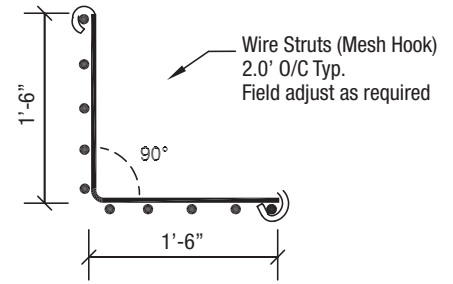
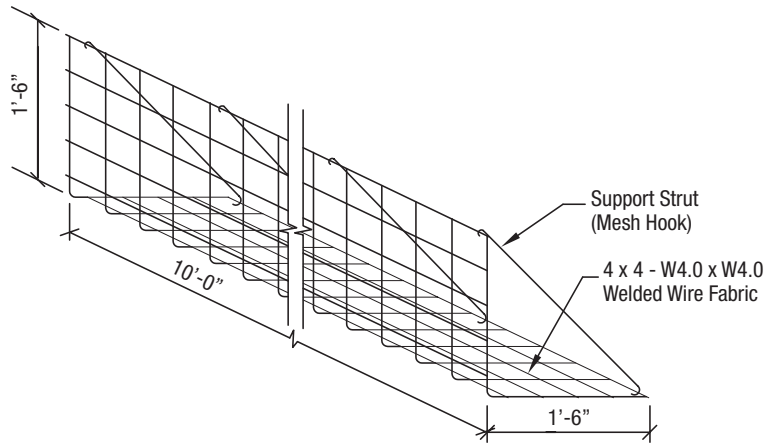
The brightest ideas on earth.

(901) 881-2517 | geostartechnologies.com

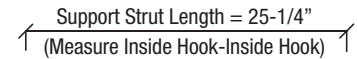
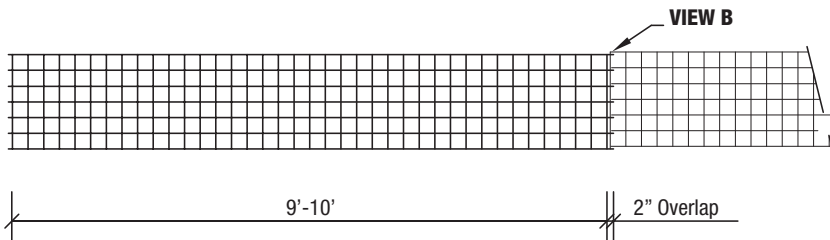
Disclaimer: This Product Data Sheet is the sole and exclusive property of Geostar Technologies LLC ("Geostar"). The Product Data Sheet shall not be reproduced, disseminated or otherwise used in any way, except in connection with the purchase of Geostar GeoSteel Products, without the express written consent of Geostar. Geostar assumes no liability for the accuracy or completeness of this information or for the ultimate use by the purchaser. Geostar disclaims any and all express, implied, or statutory standards, warranties or guarantees, including without limitation any implied warranty as to merchantability or fitness for a particular purpose or arising from a course of dealing or usage of trade as to any equipment, materials, or information furnished herewith. This document should not be construed as engineering advice.



Welded Wire Form Detail



VIEW B



SUPPORT STRUT (MESH HOOK)

NOTES

1. Slope facing to consist of prefabricated Black Steel or Galvanized Steel WWF, 4x4-W4.0xW4.0 forms.
2. All forms and struts (Mesh Hooks) will be fabricated in Black Steel or Galvanized Steel Wire.
3. Overall length of wire forms is 10'-0". Effective constructed width is 9'-10" with 2" overlapping at ends.