



AQUALITE-PRO



OPERATING INSTRUCTIONS AND IMPORTANT INFORMATION

Thank you for purchasing our AQUALITE-PRO dive light. It is designed as a system which can be adapted to many different diving situations. Three optional lamp heads allow for use as a high intensity dive light, a wide angle video light or a specialized ultra-violet light to detect normally unseen marine fluorescence. The AQUALITE-PRO is smaller, brighter and contains the latest LED, optical and Lithium-ion technology as well as charges from a USB power source. In addition, it incorporates UK's unique heat transfer design for increased brightness underwater. With minimal care your UK light will give you years of trouble-free service.

OPERATION

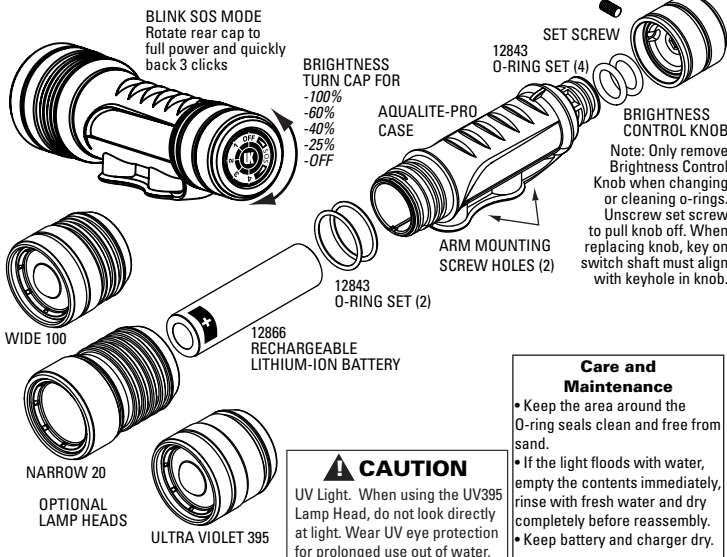
BATTERY INSERTION

Unscrew and remove the Lamp Head. Insert the Rechargeable Lithium-ion Battery into the Case. Be sure that the positive + terminal touches the Lamp Head after inserting the battery. Make sure the o-rings are clean and lubricated with silicone grease. Replace the Lamp Head.

OFF / ON BRIGHTNESS & SOS BLINK CONTROL

The AQUALITE-PRO has 4 brightness settings. Rotate the cap on the back of the light to get the desired power or to turn it to OFF. For SOS blink rotate the cap to Full power and then quickly back 3 clicks (this may take a little practice.)

NOTE: When the AQUALITE-PRO is not in use unscrew the Lamp Head 1/2 turn to disconnect

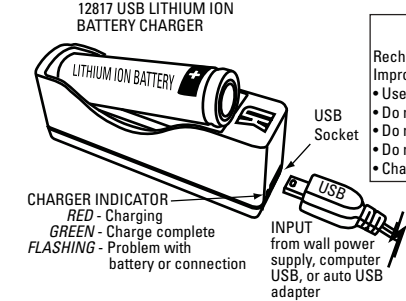


Care and Maintenance
• Keep the area around the O-ring seals clean and free from sand.
• If the light floods with water, empty the contents immediately, rinse with fresh water and dry completely before reassembly.
• Keep battery and charger dry.

CAUTION
UV Light. When using the UV395 Lamp Head, do not look directly at light. Wear UV eye protection for prolonged use out of water.

BATTERY CHARGING

Insert the 12866 Lithium-ion Battery into the charger as shown. Make sure that the positive + end of the battery is inserted next to the positive + mark on the charger or the battery will not charge. Insert the mini-USB plug from a 100-240 VAC, 50-60 HZ wall adapter or USB adapter cord from a computer or 12VDC USB auto adapter into the charger. Charge 2-5 hours depending on the USB source for a complete charge. The indicator light on charger will change from red to green when charging is complete.



CAUTION
Rechargeable Lithium-ion Battery
Improper handling can cause heat, smoke or fire.
• Use only recommended UK charger.
• Do not remove label or disassemble.
• Do not throw in fire.
• Do not short by connecting + to -.
• Charge only indoors. Do not charge when wet.

SPECIFICATIONS

Table with 2 columns: Specification and Value. Includes POWER (12 watt), LAMP (High intensity LED), MODES (Continuous and SOS blink), BRIGHTNESS (100%, 60%, 40%, 25% power), BEAM ANGLE (20°, 100° or 90° UV), BATTERY (3400 mA-Hr), BURN TIME (1.6-12 hr), CHARGE TIME (2-5 hr), INPUT VOLTAGE (4.8-5.2 VDC), SIZE (1.5(3.8) x 5.05(12.8) in), WEIGHT (6.4 (180) oz), TEST DEPTH (500 (150) ft).

WARNING FOR RECHARGEABLE AND LITHIUM BATTERIES: Only empty (run down) batteries should be delivered to battery collection points. IMPORTANT NOTE (EU COUNTRIES) INFORMATION ON HOW TO DISCARD BATTERIES AND ACCUMULATORS: According to Directive 2006/66/EU (in Germany Batteries Act - BattG), any user is obligated by law to return spent used and/or used batteries (rechargeable and non-rechargeable). Batteries and accumulators must not be disposed of with household waste. In Germany old batteries can be handed over free of charge at the local municipal collecting point for such items or returned to any shop that sells batteries of that sort (please note that other countries may handle it differently). If you have purchased any batteries from us, you may as well return them after use by sending them to the address stated below (postage will be paid by us) You are making an important contribution to protecting our environment!

US - Limited Lifetime Warranty

Underwater Kinetics products are engineered for maximum performance and durability. All products carry a Limited Lifetime Warranty to the original retail purchaser to be free from defective material and workmanship under normal and intended use. In addition, the Underwater Kinetics Limited Warranty covers materials used in its products to the original purchaser, from the date of purchase, as follows: plastics for 10 years; rubber for 3 years; LED and electronics for 1 year, lithium ion battery for 90 days.

In the event the original retail purchaser detects a defect in the material or workmanship, the product along with proof of purchase date should be returned to an authorized Underwater Kinetics dealer or directly to Underwater Kinetics with the postage prepaid. Underwater Kinetics agrees to repair or replace at Underwater Kinetics' sole discretion any product found to be defective in material or workmanship within the time period specified above. For the complete Limited Lifetime Warranty write to Underwater Kinetics or go to the web site www.underwaterkinetics.com.

Address all correspondence and returns to: Underwater Kinetics 13400 Danielson Street Poway, CA 92064 tel: (858) 513-9100 fax: (858) 513-9111 email: info@uwkinetics.com web: www.uwkinetics.com

European Warranty

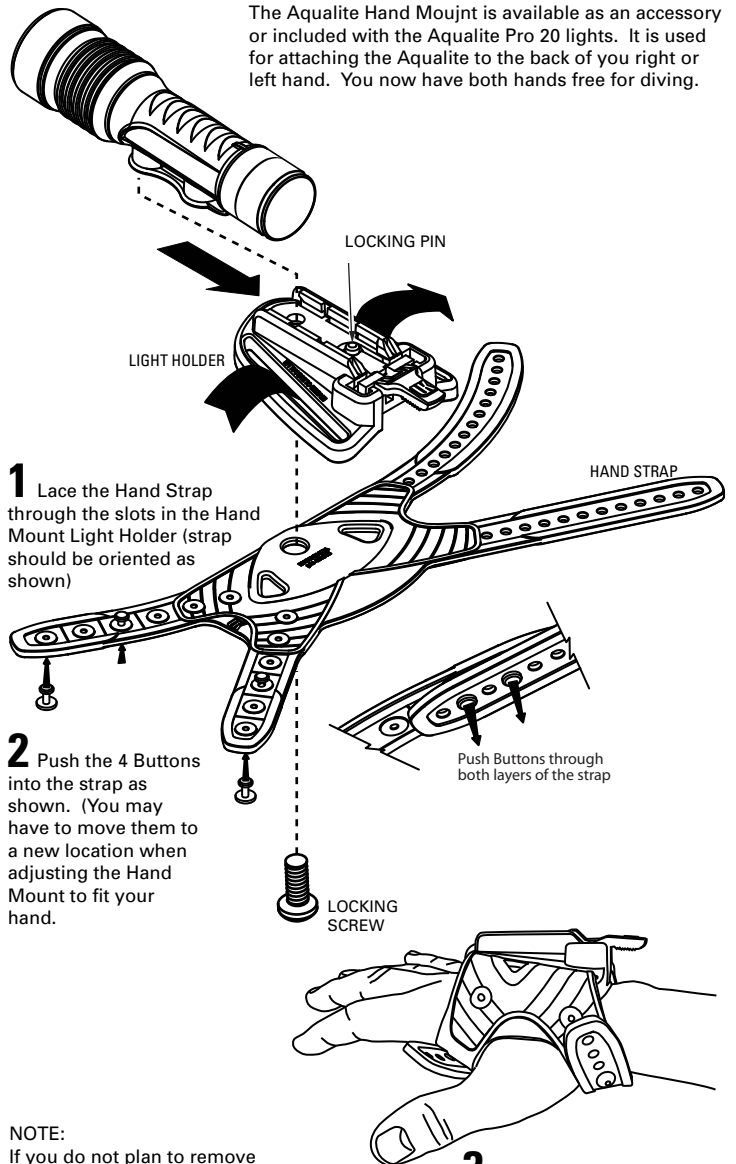
Underwater Kinetics warrants that this product is free from defects in materials and manufacturing for a period of 10 years from the date of purchase under normal use. In addition, the Underwater Kinetics Limited Warranty covers materials used in its products to the original purchaser, from the date of purchase, as follows: plastics for 10 years; rubber for 3 years; LED and electronics for 1 year, rechargeable batteries for 90 days (batteries and lamps are not produced by Underwater Kinetics). This warranty is limited to the first purchaser of the product and is not transferable. This product is not warranted if it is modified or used inappropriately.

If the original retail purchaser detects a defect in the material or workmanship, the product along with proof of purchase date should be returned (postage prepaid) to an authorized Underwater Kinetics dealer in the area or directly to UKE Underwater Kinetics Europe. Underwater Kinetics agrees to repair or replace at Underwater Kinetics' sole discretion any product found to be defective in material or workmanship within the time period specified above. This warranty is not valid when handled by third parties which are not authorized by Underwater Kinetics or its distributors. Nothing contained within these warranty terms detracts from your Statutory Rights. Address all correspondence and returns to: UKE Underwater Kinetics Europe GmbH Ritterstr. 45b, 42899 Remscheid, Germany tel: +49 (0) 2191 890 254 0 fax: +49 (0) 2191 890 254 44 email: info@uwkinetics.eu web: www.uwkinetics.eu



AQUALITE HAND MOUNT

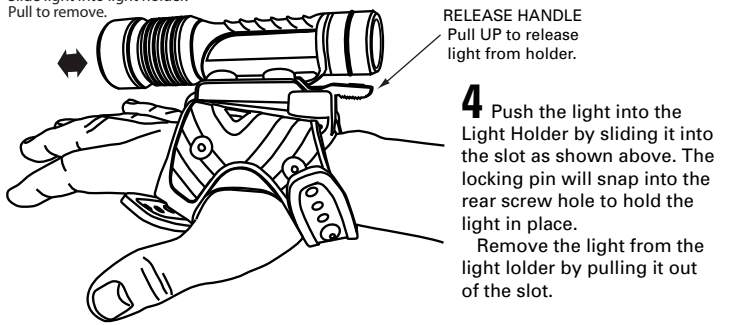
The Aqualite Hand Mount is available as an accessory or included with the Aqualite Pro 20 lights. It is used for attaching the Aqualite to the back of your right or left hand. You now have both hands free for diving.



NOTE: If you do not plan to remove the light from the Hand Mount underwater, the light should be permanently attached to the Light Holder by screwing the stainless steel 1/4-20 Locking Screw through the Light Holder and into the light as shown.

Slide light into light holder. Pull to remove.

RELEASE HANDLE Pull UP to release light from holder.



AQUALITE PHOTO MOUNTS

The Aqualite Photo Mounts are available as an accessory or included with the Aqualite Pro 100 lights. The Ball Arm Mount allows you to attach the Aqualight 100 Video light to a standard ball photo arm system used with many underwater camera housings. The Swivel Mount or Fixed Mount allow you to attach the Aqualite to the UK FlexGrip or many GoPro® cameras and accessories. They can also be used with the UK Space Station™ mounting system. Visit our web site (www.uwkinetics.com) for details

