

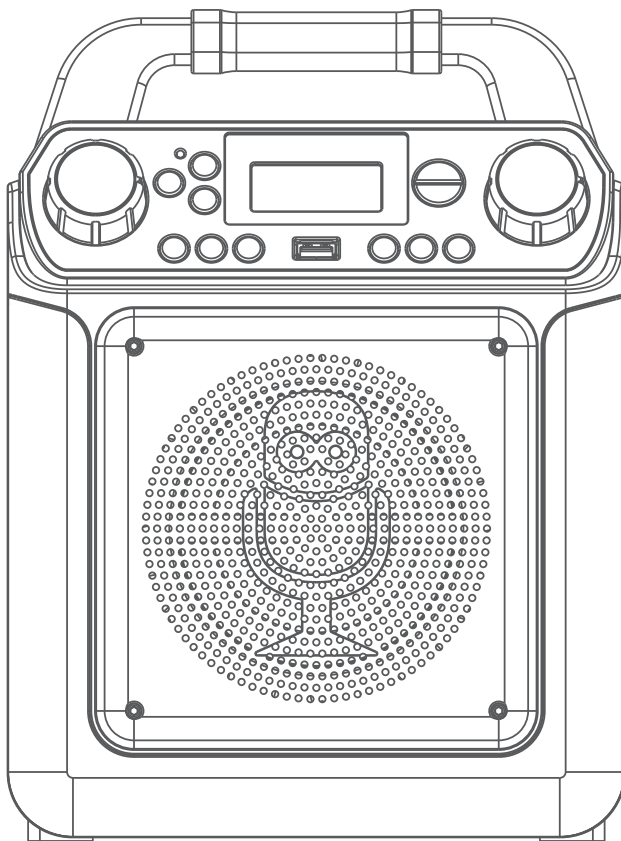


singing machine®

creating Joy through music™

SML2400



INSTRUCTION MANUAL





www.singingsmachine.com

The Singing Machine® is a registered trademark of The Singing Machine Co., Inc.

Warnings

	CAUTION RISK OF ELECTRIC SHOCK DO NOT OPEN	
CAUTION: TO REDUCE THE RISK OF ELECTRIC SHOCK, DO NOT REMOVE COVER (OR BACK). NO USER-SERVICEABLE PARTS INSIDE. REFER SERVICING TO QUALIFIED SERVICE PERSONNEL. The Caution marking is located on the bottom panel.		

 **DANGEROUS VOLTAGE:** The lightning flash with arrowhead symbol within an equilateral triangle is intended to alert the user to the presence of uninsulated dangerous voltage within the product's enclosure that may be of sufficient magnitude to constitute a risk of electric shock to persons.

 **ATTENTION:** The exclamation point within an equilateral triangle is intended to alert the user to the presence of important operating and maintenance (servicing) instructions in the literature accompanying this product.

DRIPPING WARNING: This product shall not be exposed to dripping or splashing, and no objects filled with liquids, such as vases, shall be placed on the product.

VENTILATION WARNING: The normal ventilation of the product shall not be impeded for intended use.

CAUTION: TO PREVENT ELECTRIC SHOCK, MATCH WIDE BLADE OF PLUG TO WIDE SLOT AND FULLY INSERT.

WARNING: TO PREVENT FIRE OR SHOCK HAZARD, DO NOT EXPOSE THIS UNIT TO RAIN OR MOISTURE.

Warning: Changes or modifications to this unit not expressly approved by the party responsible for compliance could void the user's authority to operate the equipment.

FCC WARNING: This equipment may generate or use radio frequency energy. Changes or modifications to this equipment may cause harmful interference unless the modifications are expressly approved in the instruction manual. The user could lose the authority to operate this equipment if an unauthorized change or modification is made.

This device complies with part 15 of the FCC Rules. Operation is subject to the following two conditions: (1) This device may not cause harmful interference, and (2) this device must accept any interference received, including interference that may cause undesired operation.

NOTE: This equipment has been tested and found to comply with the limits for a Class B digital device, pursuant to part 15 of the FCC Rules. These limits are designed to provide reasonable protection against harmful interference in a residential installation. This equipment generates, uses and can radiate radio frequency energy and, if not installed and used in accordance with the instructions, may cause harmful interference to radio communications. However, there is no guarantee that interference will not occur in a particular installation. If this equipment does cause harmful interference to radio or television reception, which can be determined by turning the equipment off and on, the user is encouraged to try to correct the interference by one or more of the following measures:

- Reorient or relocate the receiving antenna.
 - Increase the separation between the equipment and receiver.
 - Connect the equipment into an outlet on a circuit different from that to which the receiver is connected.
 - Consult the dealer or an experienced radio/TV technician for help.
- The rating information is located at the bottom of the unit.

INDUSTRY CANADA NOTICE:

This device complies with Industry Canada license-exempt RSS standard(s). Operation is subject to the following two conditions: (1) This device may not cause interference, and (2) This device must accept any interference, including interference that may cause undesired operation of the device.

Le présent appareil est conforme aux CNR d'Industrie Canada applicables aux appareils radio exempts de licence. L'exploitation est autorisée aux deux conditions suivantes: (1) l'appareil ne doit pas produire de brouillage, et (2) l'utilisateur de l'appareil doit accepter tout brouillage radioélectrique subi, même si le brouillage est susceptible d'en compromettre le fonctionnement. Cet équipement doit être installé et utilisé à une distance minimale de 20 cm entre le radiateur et votre corps.

Important Safety Information

1. Read these Instructions.
2. Keep these Instructions.
3. Heed all Warnings.
4. Follow all Instructions.
5. Do not use this apparatus near water.
6. Clean only with a dry cloth.
7. Do not block any of the ventilation openings. Install in accordance with the Manufacturer's instructions.
8. Do not install near any heat sources such as radiators, heat registers, stoves, or other apparatus (including amplifiers) that produce heat.
9. Do not defeat the safety purpose of the polarized or grounding-type plug. A polarized plug has two blades with one wider than the other. A grounding type plug has two blades and a third grounding prong. The wide blade or the third prong are provided for your safety. When the provided plug does not fit into your outlet, consult an electrician for replacement of the obsolete outlet.
10. Protect the power cord from being walked on or pinched particularly at plugs, convenience receptacles, and the point where they exit from the apparatus.
11. Only use attachments/accessories specified by the manufacturer.

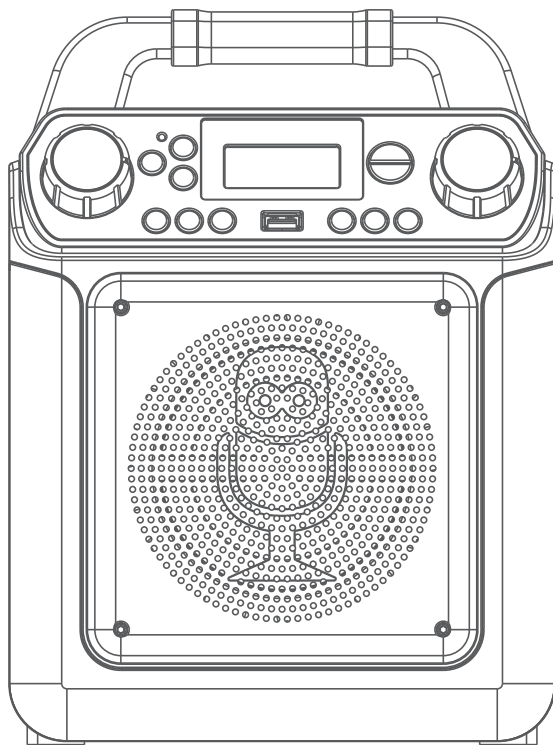
12. Use only with a cart, stand, tripod, bracket, or table specified by the manufacturer, or sold with the apparatus. When a cart is used, use caution when moving the cart/apparatus combination to avoid injury from tip-over.



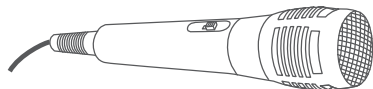
13. Unplug this apparatus during lightning storms or when unused for long periods of time.
14. Refer all servicing to qualified service personnel. Servicing is required when the apparatus has been damaged in any way, such as power-supply cord or plug is damaged, liquid has been spilled or objects have fallen into the apparatus, the apparatus has been exposed to rain or moisture, does not operate normally, or has been dropped.
15. **WARNING:** To reduce the risk of fire or electric shock, do not expose this apparatus to rain or moisture. Do not place objects filled with water, such as a vase, on the apparatus.
16. The AC mains plug is used as the power disconnect device and it should remain readily accessible and operable during intended use. In order to completely disconnect the apparatus from power, the mains plug should be completely removed from the AC outlet socket.
17. **CAUTION:** To reduce the risk of fire or explosion, do not expose batteries to excessive heat such as sunshine, fire or other heat sources.

Included

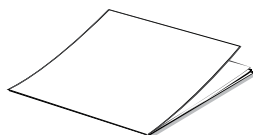
Please make sure the following items are included.



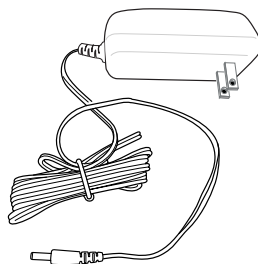
Main Unit



Wired Microphone x2

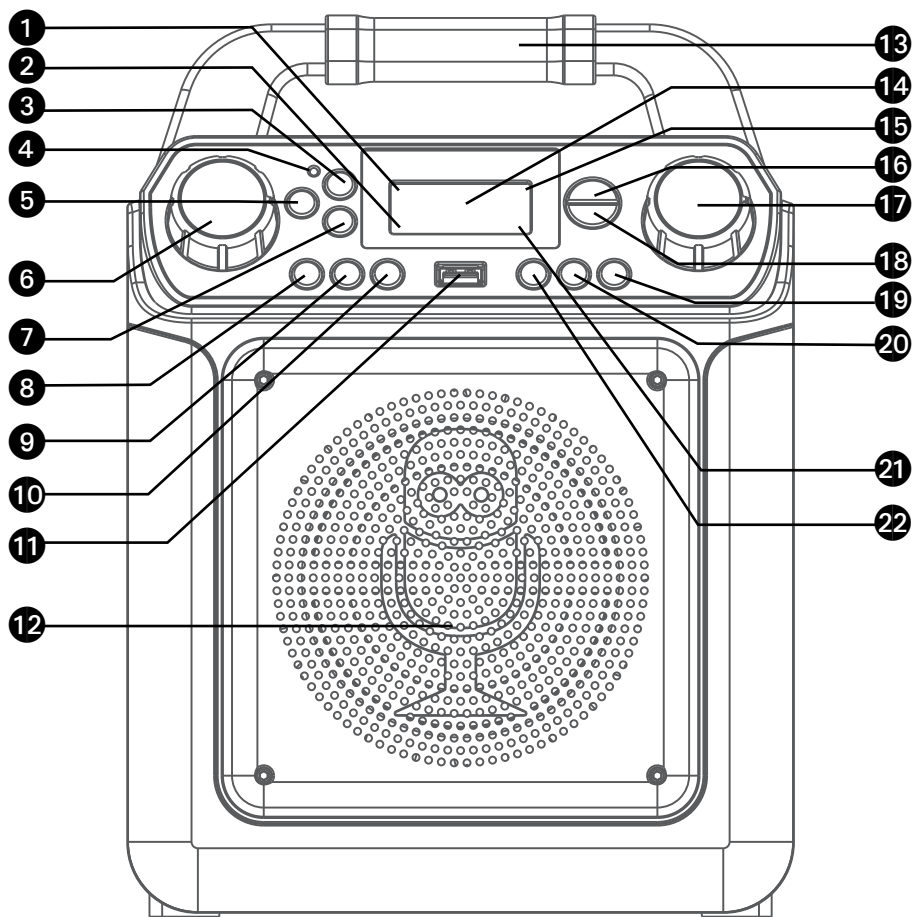


Manual



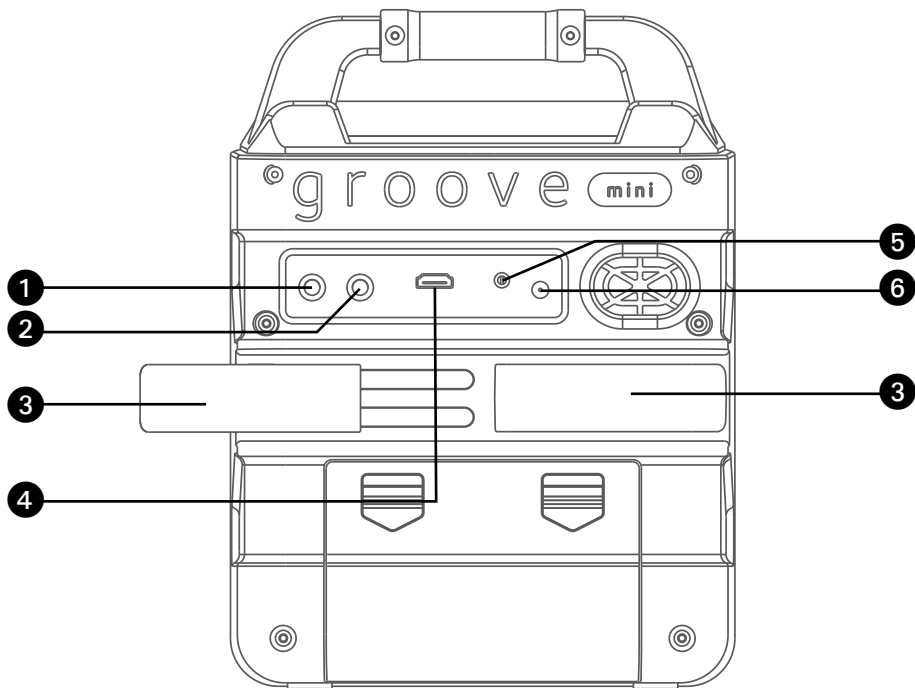
AC Adapter

Location of Controls (Front)



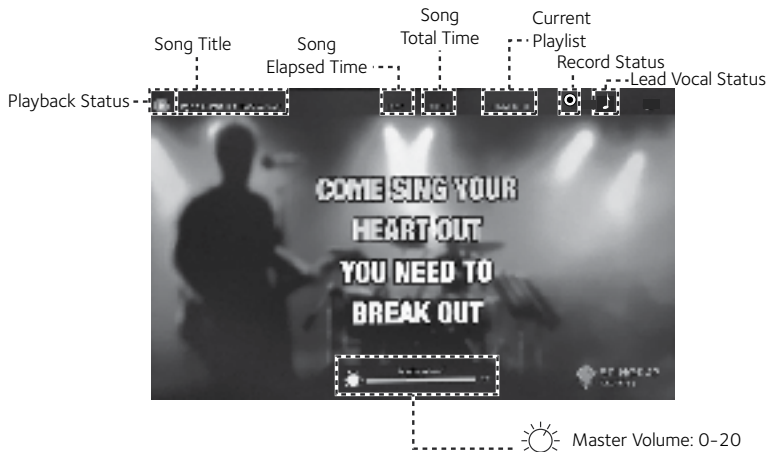
- | | |
|-------------------------------|------------------------------------|
| 1. Play/Pause indicator | 12. Speaker |
| 2. Record indicator | 13. Handle |
| 3. Bluetooth Button | 14. Display |
| 4. Bluetooth indicator | 15. Favorite indicator |
| 5. ON/STANDBY Button | 16. FAVOR / Navigation ◀ Button |
| 6. MIC VOLUME Control | 17. MASTER VOLUME Control |
| 7. LIGHTS/FUNCTION Button | 18. PLAYLIST / Navigation ▶ Button |
| 8. VOCAL/VOICE EFFECTS Button | 19. Skip ►►/ Navigation ▼ Button |
| 9. RECORD Button | 20. Skip ◀◀/ Navigation ▲ Button |
| 10. STOP Button | 21. Playlist indicator |
| 11. USB Port | 22. PLAY/PAUSE ►►/ ENTER Button |

Location of Controls (Rear)



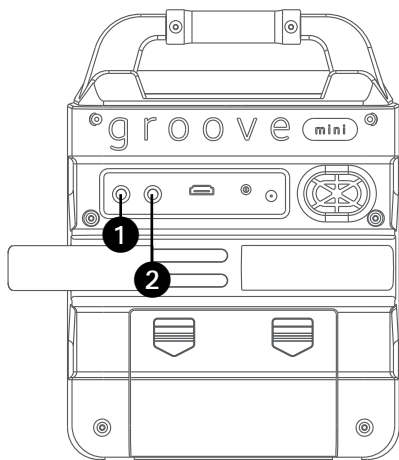
- | | |
|---------------------------|----------------|
| 1. MIC 1 Jack | 4. HDMI Jack |
| 2. MIC 2 Jack | 5. AUX IN Jack |
| 3. Extendable MIC holders | 6. DC IN Jack |

Location of Controls (Playback Display)



Connection

Connecting the Microphone(s)

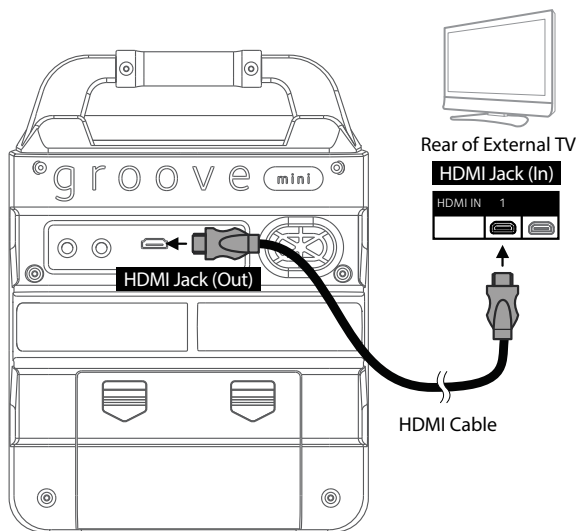


Microphones:

Connect a microphone into Mic jack 1 **1** as well as Mic jack 2 **2** (when desired).

NOTE: Do not drop or tap the Mic as damage to the Mic or speakers may occur. Do not twirl the microphone cord as it will cause damage to the encased wiring.

Connecting the Unit to a TV



To output the video, lyrics and audio to your TV, perform the following steps:

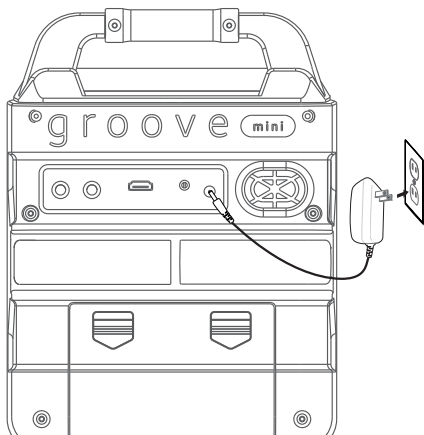
Plug the HDMI cable (not included) into the HDMI Jack on the back of the unit. Plug the other end of the HDMI cable into the HDMI input on your TV.

NOTES:

- This unit can be used with or without a TV, but it is highly recommended to use a TV in order to utilize all the features.
- Also refer to the TV's User Guide for input and display instructions.
- To see the lyrics on the screen, you must play MP4 or MP3+G files through the USB port.

Connection

Connecting to AC Power

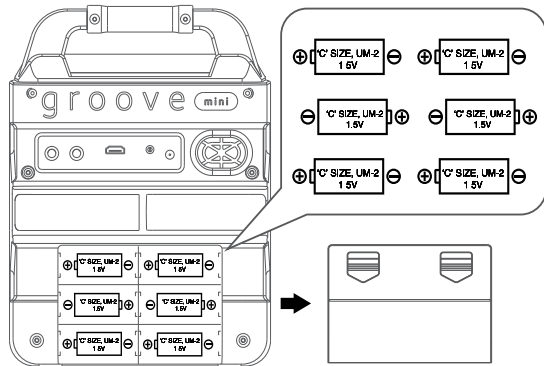


Insert the AC power cord into a conveniently located AC outlet having AC 120V, 60Hz.

NOTE:

Make all connections before connecting to AC power.

Inserting Batteries



1 Slide the battery door in the direction the arrow indicate to reveal the battery compartment. Insert six (6) "C" size alkaline batteries (not included) as indicated on the diagram.

2 Replace cover tightly before operating.

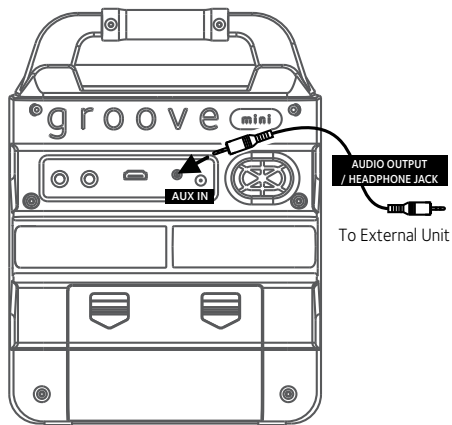
Battery Precautions

The precautions below should be followed when using batteries in this device:

1. Use only the size and type of batteries specified.
2. Be sure to follow the correct polarity when installing the batteries as indicated in the battery compartment. Reversed batteries may cause damage to the device.
3. Do not mix different types of batteries together (e.g. Alkaline and Carbon Zinc) or old batteries with fresh ones.
4. If the device is not to be used for a long period of time, remove the batteries to prevent damage or injury from possible battery leakage.
5. Do not try to recharge batteries not intended to be recharged, they can overheat and rupture. (Follow battery manufacturer's directions.)
6. Rechargeable batteries are to be removed from the product before being charged.
7. Rechargeable batteries are only to be charged under adult supervision.
8. Exhausted batteries are to be removed from the product.
9. Batteries shall not be exposed to excessive heat such as sunshine, fire or the like.

Connection

Connecting to AUX IN Jack

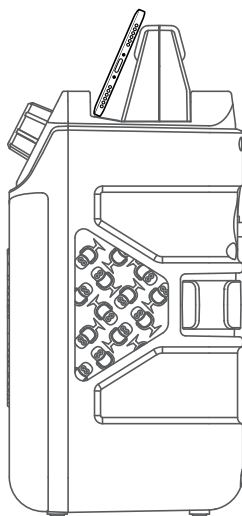
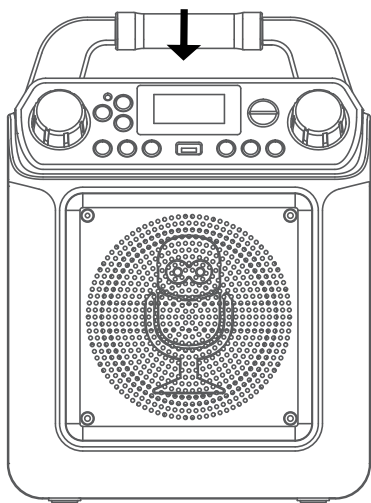
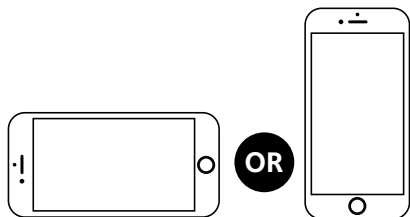


Connect an external device by using an appropriate cable (3.5mm audio cable not included) as shown.

NOTE:

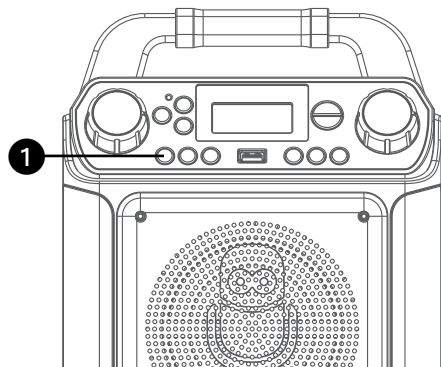
See page E20 to select and use the Aux In function.

Cradle



Operation

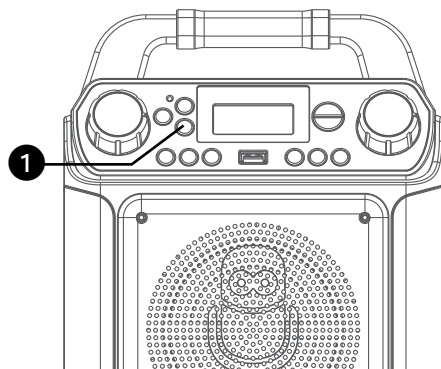
Voice Effects



Repeatedly press the **VOCAL/VOICE EFFECTS** button to select different vocal effect. Display will show:

- EF0 - OFF
- EF1 - ECHO
- EF2 - FEMALE
- EF3 - MALE
- EF4 - CHIPMUNK
- EF5 - ROBOT
- EF6 - RADIO

Speaker Lights

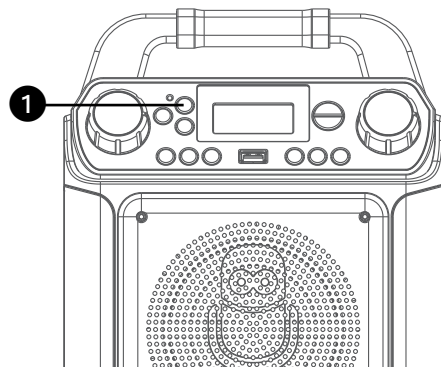




When the unit is turned on, the Light mode 1 is automatically activated. The lights will light up and will synchronize with the sound when you speak or sing into the microphone.

Press and hold the **LIGHTS/FUNCTION** button for Light mode 2 which will display the light show but will not respond to the microphone.

Press and hold the **LIGHTS/FUNCTION** button once again to turn off the Lights.

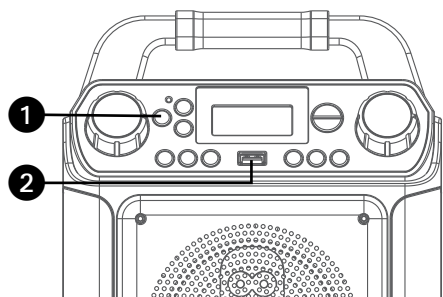
Bluetooth Mode




Press the  button to easily set the machine into bluetooth mode. Press and hold the  button to set the machine into pairing mode.

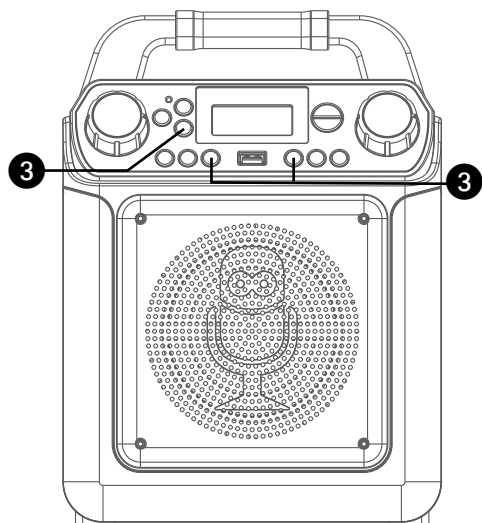
Operation


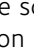

Playing Songs from the USB



1 Connect the unit as described previously. Press the  button to turn the unit on.

2 Insert a USB flash drive containing MP3 or MP4 files into the USB port on the unit. We have a large selection of karaoke music available for download through our Karaoke Store.



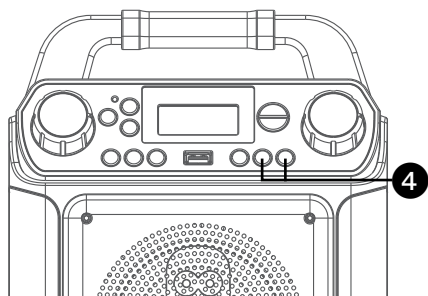
3 Repeatedly press the **LIGHTS/FUNCTION** button to select the USB mode. "USB" will appear in the display. Press the  button to start the playback. If you have connected to a TV, the downloaded karaoke video will play on the screen. Press the  button during playback to pause the song. Press the  button to stop the playback.

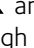
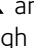
NOTES:

- The USB mode cannot be accessed until a flash drive is inserted.



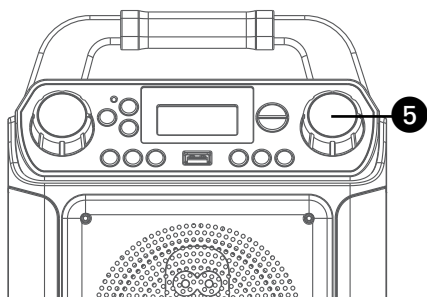
- A loading icon  will appear when the system is loading the files.



4 It is highly recommended to have it connected to a TV for USB playback. Use the  and  buttons to navigate through the list of songs that you have previously downloaded on your USB.

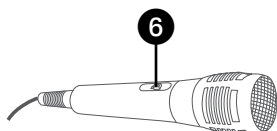
Operation

Playing Songs from the USB (Continued)



5 Adjust the volume to a comfortable level using the **MASTER VOLUME** control.

NOTE: If connected to a TV, adjust the volume of the TV using its own volume control.



6 Connect microphone(s) and slide the **ON/OFF** switch on the microphone to the ON position.

7 Adjust the **MIC VOLUME** control as desired. Increasing this control will increase the volume of both microphones.

8 **SKIP:** Advance or go back one track by pressing the **◀/▶** or **▶/▼** button. You can also skip ahead 10 files/tracks simply press and hold the **◀/▶** or **▶/▼** buttons in stop mode.

9 Press the **■** button to stop playback.

10 **RECORD YOUR VOCAL PERFORMANCE:**

To record your singing as well as the music, press the **REC** button; recording will begin and the record indicator will start flashing.

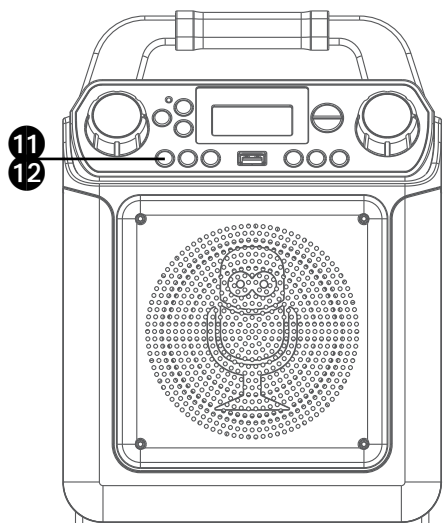
When done recording, press the **REC** button again; the Record indicator will turn off.

NOTE:

- The recorded audio file will record onto the USB drive.

Operation

Playing Songs from the USB (Continued)



- 11 VOCALS:** To sing with the lead singer on the recording, press and hold the **VOCAL/VOICE EFFECTS** button. To listen to music only, press and hold the **VOCAL/VOICE EFFECTS** button again.

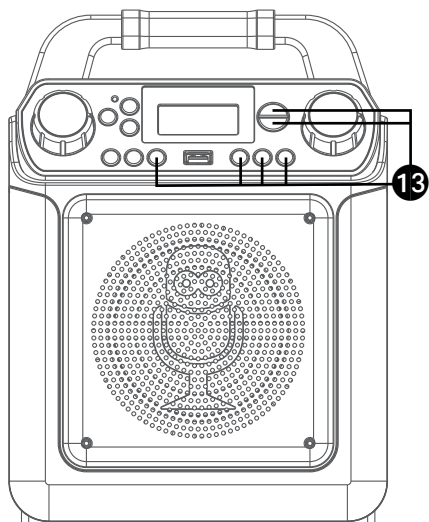
NOTE: The song must be downloaded with separate vocals (aka multiplex recording) in order to utilize the Lead Vocal function.

- 12 VOICE EFFECTS:** Repeatedly press the **VOCAL/VOICE EFFECTS** button to select from ECHO, FEMALE, MALE, CHIPMUNK, ROBOT or RADIO vocal effect. Select OFF to sing without any voice effect.

- 13 SEARCHING BY GENRE, ARTIST or TITLE (Connected to a TV only):**

While in the USB menu, press the **■** button to enter the search mode. "SEA" will appear in the display. Select search using the **FAVOR/◀** or **PLAYLIST/▶** buttons, then press the **▶||/ENTER** button. The alphabet will appear at the bottom of the screen. Select the desired starting letter using the **FAVOR/◀** and **PLAYLIST/▶** buttons or rotate the **MASTER VOLUME** control, then press the **▶||/ENTER** button to select it. A list of songs that meet the criteria will appear. Use the **◀◀/▲** and **▶▶/▼** buttons to navigate through the list of songs, then press the **▶||/ENTER** button to play your selection, or select the next letter the same way.

NOTE: You can search up to six letters. After the sixth letter the search will reset.



Operation

Playing Songs from the USB (Continued)



14 CREATING THE PLAYLIST: To create a personalized playlist, select a song using the **◀◀/▲** and **▶▶/▼** buttons. Press the **PLAYLIST/▶** button to confirm the operation; “Added” will appear. Repeat this step to add more songs.

Or press the **PLAYLIST/▶** button once during the playback of the song.

NOTES:

- The personalized Playlist will be kept even if the unit is reset.
- You can always edit your Playlist after you create it select a song that was added and press the **PLAYLIST/▶** button again; “Added” will change to “Add”.

15 USING THE PLAYLIST: To play your previously created playlist. While in the USB menu, press the **■** button to enter the search mode. “SEA” will appear in the display. select **Playlist** using the **FAVOR/◀** or **PLAYLIST/▶** button then press the **▶||/ENTER** button; the row under Playlist will be highlighted. Select the desired selection using the **◀◀/▲** or **▶▶/▼** button as follows:

TO PLAY ALL:

Select **PLAY ALL** and then press the **ENTER ▶||** button.

NOTE: You can always play your created playlist by press and hold the **PLAYLIST/▶** button.



Operation

Playing Songs from the USB (Continued)



PRIORITY:

a. Select **PRIORITY** using the **◀◀/▲** and **▶▶/▼** buttons then navigate down to the song you want to prioritize.

b. Press the **FAVOR/◀** and **PLAYLIST/▶** buttons and the numbers will change to 0001, 0002, etc. According to the numbers displayed the songs will be listed in that order from top to bottom. Press the **▶▶/ENTER** button to confirm.

c. After setting all songs on your priority list, press the **■** button then the playlist will be highlighted. Use the **FAVOR/◀** or **PLAYLIST/▶** button selected **PLAYALL**.

d. Use the **◀◀/▲** and **▶▶/▼** buttons to select the first song and press the **▶▶/ENTER** button or press and hold **PLAYLIST/▶** button to start the playback of all songs on the play list.



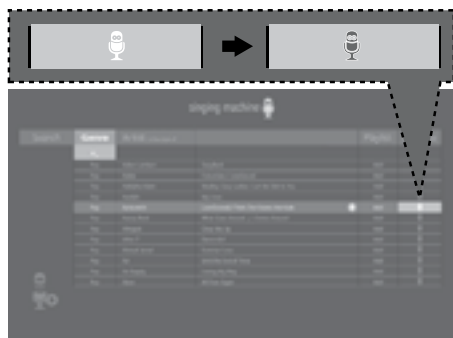
REMOVE: Select **REMOVE** using the **◀◀/▲** and **▶▶/▼** buttons and then select a song to remove using the **◀◀/▲** and **▶▶/▼** buttons. Press the **▶▶/ENTER** button; the song will be deleted from the playlist.



RM ALL: To empty the whole Playlist, select **RM ALL** using the **◀◀/▲** and **▶▶/▼** buttons and then press the **ENTER ▶▶** button; the whole Playlist will be empty.

Operation

Playing Songs from the USB (Continued)



- 16 CREATING FAVORITES:** To create a favorite playlist, select a song using the **◀◀/▲** and **▶▶/▼** buttons. Press the **FAVOR/◀** button to confirm the operation; the icon will turn from white to orange. Repeat this step to add more songs. Or press the **FAVOR/◀** button during the playback of the song.

NOTES:

- The Favorites will be stored even if the unit is reset.
- You can always edit Favorites after you create it select a song that was added and press the **FAVOR/◀** button again; it will change from orange to white.

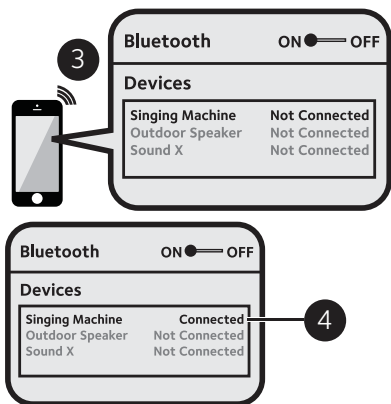
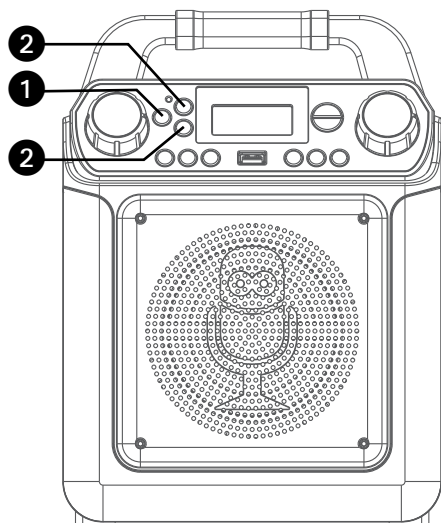



- 17 USING THE FAVORITES:** To play or edit your previously created Favorite playlist. While in the USB menu, press the **■** button to enter the search mode. "SEA" will appear in the display. You can use the **FAVOR/◀** and **PLAYLIST/▶** buttons to select the **FAVORITE** tag. Then press the **▶▶/ENTER** button to show the favorites list. Perform the same steps as shown in the **USING THE PLAYLIST** section on the previous page to play and edit the Favorite playlist.

- 18** Press the **⏻** button to turn the unit off.


Operation


Using a Bluetooth Device



1 Connect the unit as described previously. Press the  button to turn the unit on.

2 Press the  button or repeatedly press the **LIGHTS/FUNCTION** button to select the Bluetooth mode; “bt” will appear in the display.

The unit automatically searches for and pairs a previously paired Bluetooth device (if previously paired). If no previously paired devices are present and you cannot find this unit on your bluetooth compatible device's search list, press and hold the  button; the indicator will flash alternatively blue and red in 60 seconds.

NOTE: You can also press and hold the  button to disconnect any paired devices in order to pair another device.

3 Turn on your device's Bluetooth option in settings to search for a discoverable device with a Bluetooth signal. Select “**SINGING MACHINE**” from the device results on the Bluetooth menu.

NOTE: Also refer to the user manual of your Bluetooth device for detailed instructions.

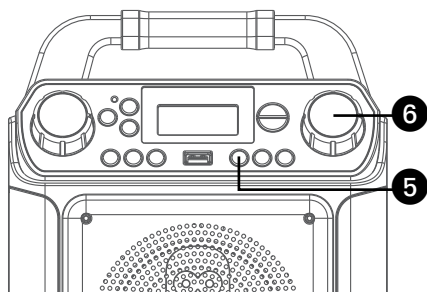
4 The Bluetooth indicator light will turn solid and a chime will sound indicating pairing was successful.

NOTES:

- If your Bluetooth prompts you for a passcode during the pairing process, please enter “0000” to connect.
- On some Bluetooth devices, once pairing is completed, select your Bluetooth device as “Use as Audio Device” or similar.
- If connection is lost after successful pairing, check to make sure the distance between speaker and Bluetooth-enabled device does not exceed 30 feet/10 meters.

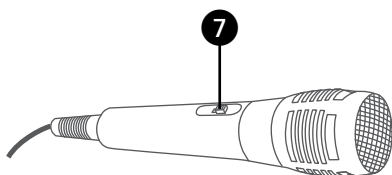
Operation

Using a Bluetooth Device (Continued)

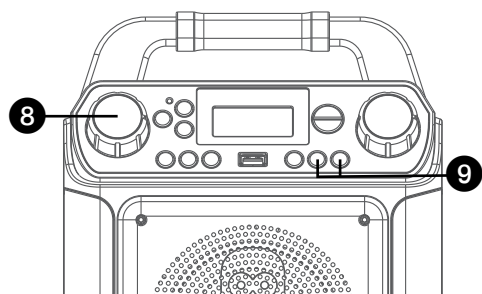


5 To control your Bluetooth device from this unit, press the **▶||/ENTER** button to start playback (music app must be open). Press the **▶||/ENTER** button during playback to pause the song.

6 Adjust the volume to a comfortable level using the **MASTER VOLUME** control on this unit as well as the volume on your Bluetooth device.



7 Connect microphone(s) and slide the **ON/OFF** switch on the microphone to the ON position.

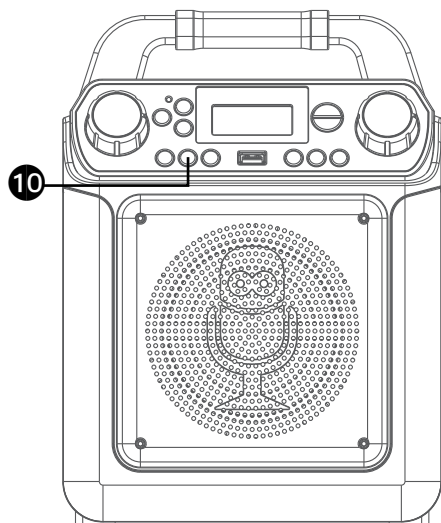


8 Adjust the **MIC VOLUME** control as desired. Increasing this control will increase the volume of both microphones.

9 **SKIP:** Advance or go back one track by pressing the **◀◀/▲** or **▶▶/▼** button.

Operation

Using a Bluetooth Device (Continued)



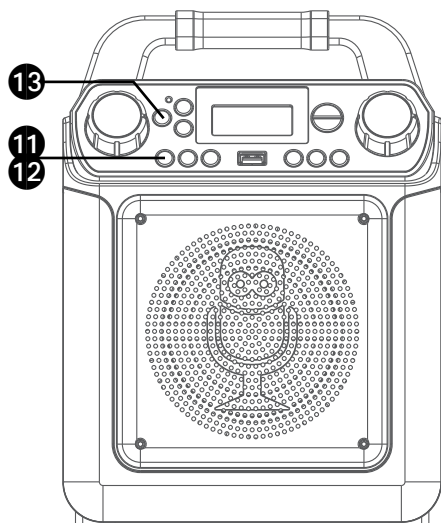
10 RECORD YOUR VOCAL PERFORMANCE:

To record your singing as well as the music, press the **REC** button; recording will begin and the record indicator will start flashing.

When done recording, press the **REC** button again; the Record indicator will turn off.

NOTES:

- The recorded audio file will record onto the USB drive.
- The recorded audio file will be named with the "BT" prefix.



11 VOCALS:

To sing without the lead singer on the recording, press and hold the **VOCAL/VOICE EFFECTS** button.

To resume the lead singer, press and hold the **VOCAL/VOICE EFFECTS** button again.

NOTE: The Vocal off function might not work perfectly. It is song dependent.

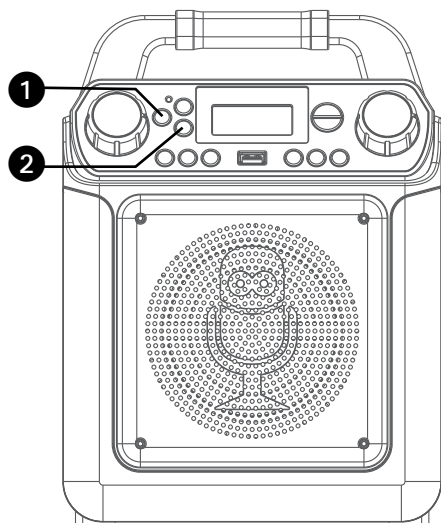
12 VOICE EFFECTS:


Repeatedly press the **VOCAL/VOICE EFFECTS** button to select from ECHO, FEMALE, MALE, CHIPMUNK, ROBOT or RADIO vocal effects. Select OFF to sing without any voice effect.

13 Press the button to turn the unit off.

Operation

Playing Songs from the Recorded Files



1 Connect the unit as described previously; it should be connected to a TV. Press the  button to turn the unit on.



2 Repeatedly press the **LIGHTS/ FUNCTION** button to select the Recordings mode "rEC" will appear in the display.


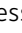
NOTES:

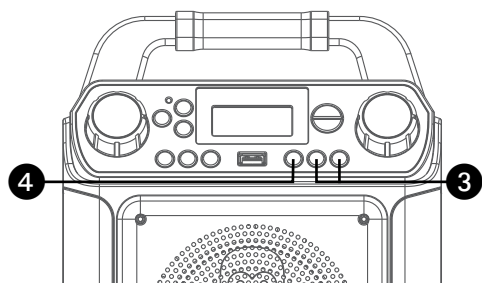
- The Recording mode cannot be accessed until a flash drive is inserted.



- A loading icon  will appear when the system is loading the files.

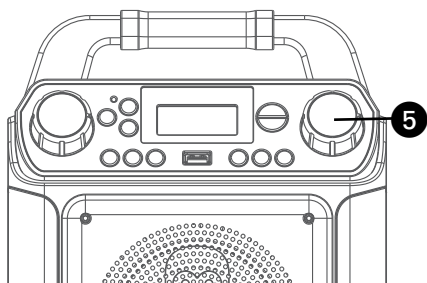
3 It is highly recommended to have it connected to a TV for the recorded files playback. Use the /▲ and /▼ buttons to navigate through the list of recorded files that you have previously recorded on your USB.

4 Press the /ENTER button to start the recorded audio file playback. Press the /ENTER button during playback to pause the file.



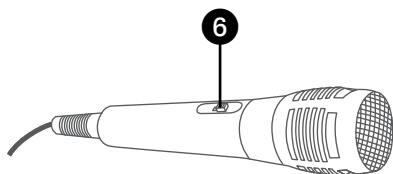
Operation

Playing Songs from the Recorded Files (Continued)

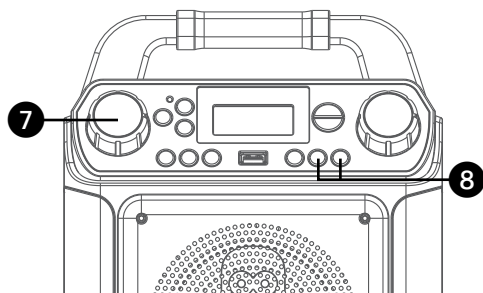


5 Adjust the volume to a comfortable level using the **MASTER VOLUME** control.

NOTE: If connected to a TV, adjust the volume of the TV using its own volume control.



6 Connect microphone(s) and slide the **ON/OFF** switch on the microphone to the ON position.

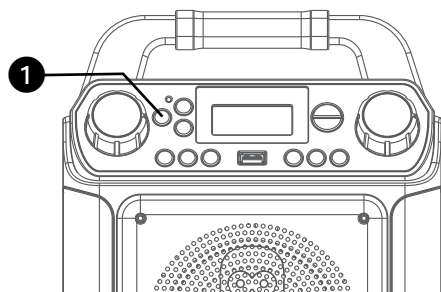


7 Adjust the **MIC VOLUME** control as desired. Increasing this control will increase the volume of both microphones.

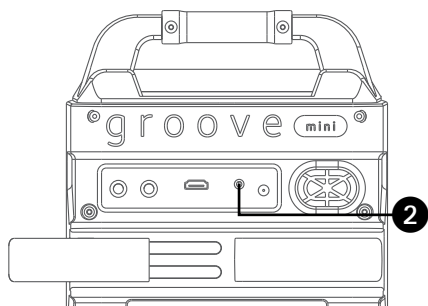
8 **SKIP:** Advance or go back one track by pressing the **◀◀/▲** or **▶▶** /**▼** button. You can also skip ahead 10 files/tracks simply press and hold the **◀◀/▲** or **▶▶/▼** buttons in stop mode.

Operation

Using the AUX IN Jack



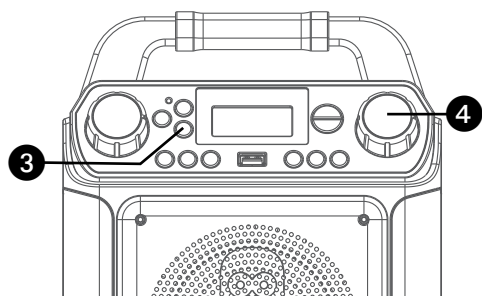
1 Connect the unit as described previously. Press the **⏻** button to turn the unit on.



2 Connect the external unit to the **AUX IN Jack** on the rear of this unit. Connecting an external unit will allow the audio to be played through your Singing Machine.

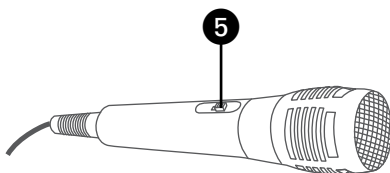
NOTES:

- It is highly recommended to set the volume on the external unit to 1/3 or lower to avoid distortion.
- Skipping files/tracks is not possible to perform on this unit when using an external device.



3 Repeatedly press the **LIGHTS/ FUNCTION** button to select the AUX IN mode; "AU" will appear in the display.

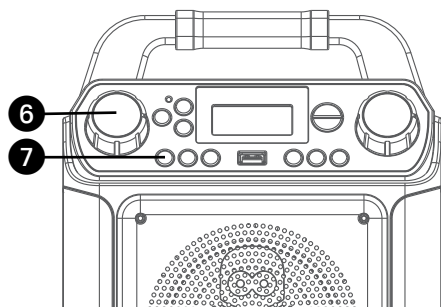
4 Adjust the volume using the **MASTER VOLUME** control on this unit or your external device's volume control.



5 Connect microphone(s) and slide the **ON/OFF** switch on the microphone to the ON position.

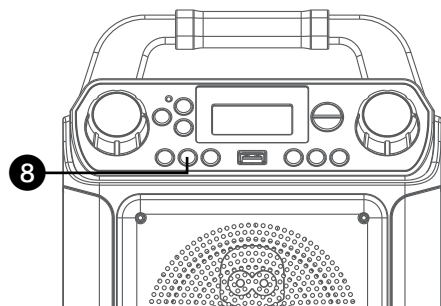
Operation

Using the AUX IN Jack (Continued)



6 Adjust the **MIC VOLUME** control as desired. Increasing this control will increase the volume of both microphones.

7 **VOICE EFFECTS:** Repeatedly press the **VOCAL/VOICE EFFECTS** button to select from ECHO, FEMALE, MALE, CHIPMUNK, ROBOT or RADIO vocal effect. Select OFF to sing without any voice effect.



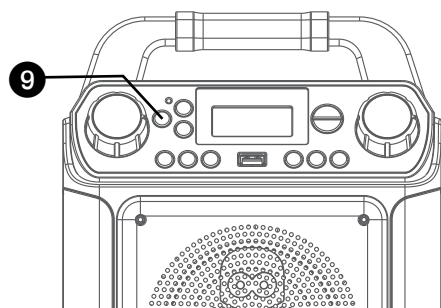
8 **RECORD YOUR VOCAL PERFORMANCE:**

To record your singing as well as the music, press the **REC** button; recording will begin and the record indicator will start flashing.

When done recording, press the **REC** button again; the Record indicator will turn off.

NOTES:

- The recorded audio file will record onto the USB drive.
- The recorded audio file will be named with the "LINEIN" prefix.



9 Press the **⏻** button to turn the unit off.

Karaoke Store

PC Installation

The Karaoke Store application can be installed on Microsoft Windows computers running Vista, Windows 7, and Windows 8 or higher. The Karaoke Store application requires connection to the Internet (a high-speed connection is recommended).

- 1 Insert the USB flash drive (not included) into a powered USB slot on your computer.
- 2 Open your web browser and go to **www.singmachine.com/pages/app-install**. Click **"DOWNLOAD FOR WINDOWS"**. Save the file "Karaoke_Store_Win_Setup.exe" to your USB flash drive.

- 3 Double-click the file named, "Karaoke_Store_Win_Setup". Follow the online instructions to install the software on your computer.

- 4 After installing, open your Program's folder and open the **Karaoke Store** folder.

- 5 Double-click "Karaoke Store" to open the software.

- 6 On this page you can now sign up and purchase/download them to your computer and/or USB drive for playing on your new Singing Machine!

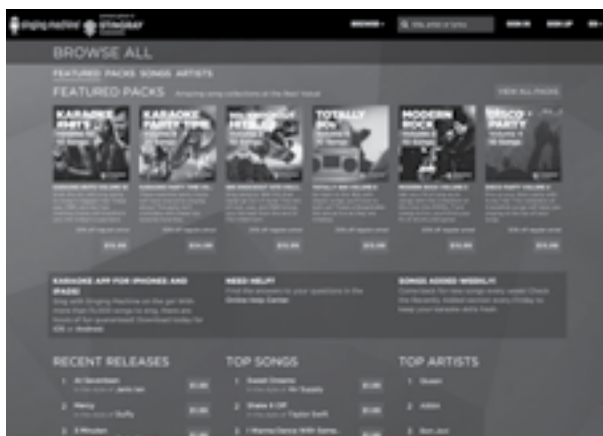
PC INSTALLATION

The Karaoke Store application can be installed on Microsoft Windows computers running Windows 7 and Windows 8 or higher.

1. Download the installer for Windows.

DOWNLOAD FOR WINDOWS

2. Launch "Karaoke_Store_Win_Setup" from the folder where you downloaded the installer.



Karaoke Store

Mac Installation

The Karaoke Store application can be installed on Apple Macintosh computers running OS X 10.8 and higher. The Karaoke Store application requires connection to the Internet (a high-speed connection is recommended).

- 1 Insert the USB flash drive (not included) into a powered USB slot on your computer.
- 2 Open your web browser and go to **www.singmachine.com/pages/app-install**. Click **"DOWNLOAD FOR MAC"**. Save the file "Karaoke_Store_Win_Setup.pkg" to your USB flash drive.
- 3 Double-click the file named, "Karaoke_Store_Win_Setup.pkg". Follow the online instructions to install the software on your computer.
- 4 After installing, open your Application's folder and open the **Stingray Karaoke Store** folder.
- 5 Double-click Karaoke Store App to open the software.
- 6 On this page you can now sign up and purchase/download them to your computer and/or USB drive for playing on your new Singing Machine!

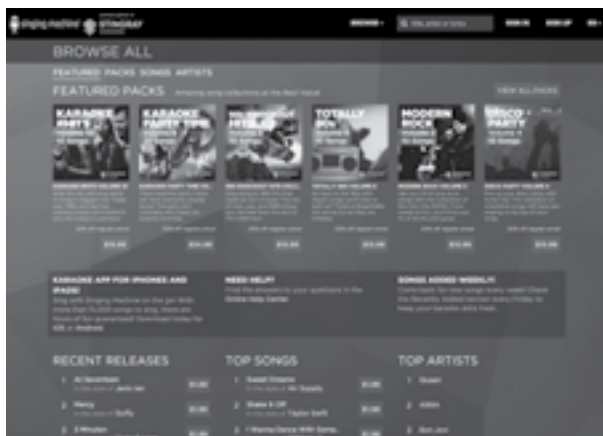
MAC INSTALLATION

The Karaoke Store application can be installed on Apple Macintosh computers running OS X 10.11 and higher.

1. Download the installer for Mac:

DOWNLOAD FOR MAC


2. Launch "Karaoke_Store_Mac_Setup.pkg" from the folder where you downloaded the installer.



Troubleshooting Guide

Should this unit exhibit a problem, check the following before seeking service:

No Power

- Power is not on; press the  **ON/STANDBY** button to turn unit on.
- Confirm that the AC adapter is connected securely to the back of the unit.
- Connect the unit to a different outlet.
- The normal function of the product may be disturbed by strong Electro-Magnetic Interference. If so, simply restart the product to resume normal operation by following the instruction manual. In the event the function does not resume, please use the machine in another part of the home.

No Sound – General

- **Master Volume** is set to minimum; raise volume.
- Correct Function was not selected; press the **LIGHTS/FUNCTION** button to change the function.
- If using an external device, raise the volume.


No Sound – If connected to a TV

- Volume on the TV is muted or too low.
- Correct source (usually HDMI) was not selected on the TV's menu.

No sound from the microphone

- Make sure the microphone is firmly connected to the MIC 1 or MIC 2 jack.
- Make sure the **ON/OFF** switch on the microphone is set to the ON position.
- Make sure the **MIC VOLUME** control is not set too low.
- **MASTER VOLUME** is set to minimum; raise volume.

The Bluetooth device cannot be paired or connected with the unit

- You have not activated the Bluetooth function of your device; see page E15 or refer to the Bluetooth device user's manual.
- The system is not in pairing mode; press and hold the  button to restart pairing.
- Ensure any other Bluetooth devices are turned off to avoid accidental pairing.

The Music is not available on the unit after successfully connecting the Bluetooth

- Ensure your Bluetooth device can support the A2DP Bluetooth profile.
- The volume on the external Bluetooth device is set too low or muted; raise as desired.
- Make sure your music's application is open.

Energy Saving (Auto Power System-APS)

This unit will automatically turn off after 15 minutes of inactivity. APS is for energy saving purposes.

The unit can be resumed to turn on by pressing the **ON/STANDBY** button once. APS is for energy saving purposes.

Specifications

AUDIO

OUTPUT POWER (MAXIMUM) 10 Watts (RMS)
OUTPUT IMPEDANCE 4 Ohms

USB

Format FAT32
Maximum Capacity 32GB

BLUETOOTH

Bluetooth Version V5.0
Working Distance Up to 30 feet/10 meters measured in open space

AUX IN SECTION 3.5 mm Stereo Headphone Jack

MICROPHONE -73db 600 Ohm Impedance with 6.3 mm Dynamic Microphone

POWER SECTION 9VDC --- 1A ⚡
..... 9VDC (6 x "C" batteries) (Batteries not included)

DIMENSIONS (HxWxD) 11.2 x 8.3 x 5.4 inches / 28.5 x 21 x 13.8 cm

WEIGHT 2.86 lbs/1.3 kgs

Specifications are subject to change without notice.



The terms HDMI and HDMI High-Definition Multimedia Interface, and the HDMI Logo are trademarks or registered trademarks of HDMI Licensing Administrator, Inc. in the United States and other countries.



The Bluetooth® word mark and logos are registered trademarks owned by Bluetooth SIG, Inc. and any use of such marks by The Singing Machine Company, Inc. is under license. Other trademarks and trade names are those of their respective owners.

Visit Our Website: www.singingmachine.com

Copyright © 2023 All Rights Reserved.

The Singing Machine Company, Inc.
4060 E Jurupa Street, Unit B
Ontario, CA 91761-1413 USA

The Responsible Party

Company Name : The Singing Machine Company, Inc.

Address : 6301 NW 5th Way, Suite 2900, Fort Lauderdale,
FL33309, USA

Telephone : 954 -596-1000

Website : www.singingmachine.com

PRINTED IN CHINA
2400-2303-ENG01-US