

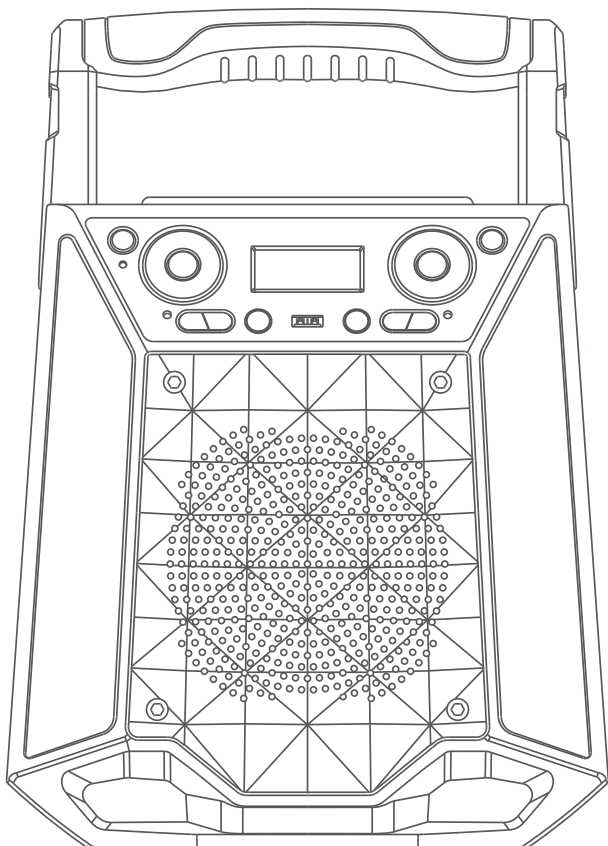


# singing machine®

creating Joy through music™

## SML2260


INSTRUCTION MANUAL



[www.singingmachine.com](http://www.singingmachine.com)

The Singing Machine® is a registered trademark of The Singing Machine Co., Inc.

# Warnings

	<b>CAUTION</b> RISK OF ELECTRIC SHOCK DO NOT OPEN	
<b>CAUTION:</b> TO REDUCE THE RISK OF ELECTRIC SHOCK, DO NOT REMOVE COVER (OR BACK). NO USER-SERVICEABLE PARTS INSIDE. REFER SERVICING TO QUALIFIED SERVICE PERSONNEL.		



**DANGEROUS VOLTAGE:** The lightning flash with arrowhead symbol within an equilateral triangle is intended to alert the user to the presence of uninsulated dangerous voltage within the product's enclosure that may be of sufficient magnitude to constitute a risk of electric shock to persons.



**ATTENTION:** The exclamation point within an equilateral triangle is intended to alert the user to the presence of important operating and maintenance (servicing) instructions in the literature accompanying this product.

**DRIPPING WARNING:** This product shall not be exposed to dripping or splashing, and no objects filled with liquids, such as vases, shall be placed on the product.

**VENTILATION WARNING:** The normal ventilation of the product shall not be impeded for intended use.

**CAUTION:** TO PREVENT ELECTRIC SHOCK, MATCH WIDE BLADE OF PLUG TO WIDE SLOT AND FULLY INSERT.

**WARNING:** TO PREVENT FIRE OR SHOCK HAZARD, DO NOT EXPOSE THIS UNIT TO RAIN OR MOISTURE.


**FCC WARNING:** This equipment may generate or use radio frequency energy. Changes or modifications to this equipment may cause harmful interference unless the modifications are expressly approved in the instruction manual. The user could lose the authority to operate this equipment if an unauthorized change or modification is made.

This device complies with part 15 of the FCC Rules. Operation is subject to the following two conditions: (1) This device may not cause harmful interference, and (2) this device must accept any interference received, including interference that may cause undesired operation.

**NOTE:** This equipment has been tested and found to comply with the limits for a Class B digital device, pursuant to part 15 of the FCC Rules. These limits are designed to provide reasonable protection against harmful interference in a residential installation. This equipment generates, uses and can radiate radio frequency energy and, if not installed and used in accordance with the instructions, may cause harmful interference to radio communications. However, there is no guarantee that interference will not occur in a particular installation. If this equipment does cause harmful interference to radio or television reception, which can be determined by turning the equipment off and on, the user is encouraged to try to correct the interference by one or more of the following measures:

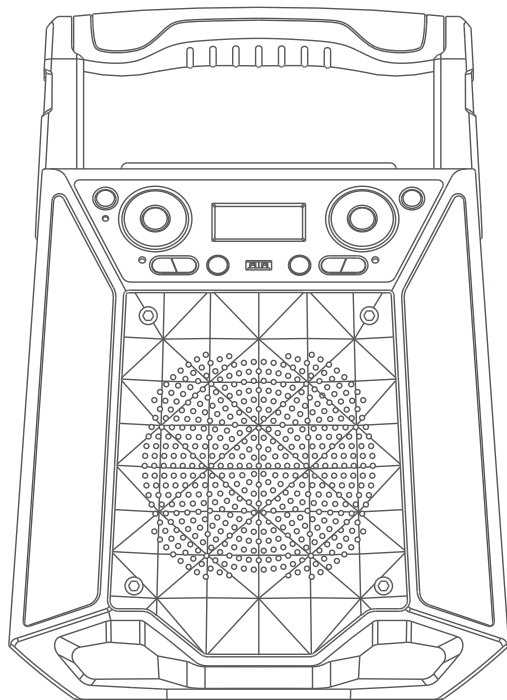
- Reorient or relocate the receiving antenna.
- Increase the separation between the equipment and receiver.
- Connect the equipment into an outlet on a circuit different from that to which the receiver is connected.
- Consult the dealer or an experienced radio/TV technician for help.
- The rating information is located at the back of the unit.

## Important Safety Information

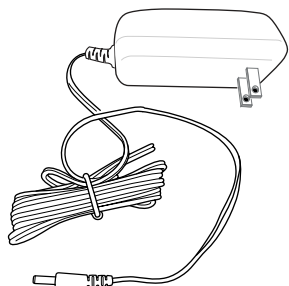
1. Read these Instructions.
2. Keep these Instructions.
3. Heed all Warnings.
4. Follow all Instructions.
5. Do not use this apparatus near water.
6. Clean only with a dry cloth.
7. Do not block any of the ventilation openings. Install in accordance with the Manufacturer's instructions.
8. Do not install near any heat sources such as radiators, heat registers, stoves, or other apparatus (including amplifiers) that produce heat.
9. Do not defeat the safety purpose of the polarized or grounding-type plug. A polarized plug has two blades with one wider than the other. A grounding type plug has two blades and a third grounding prong. The wide blade or the third prong are provided for your safety. When the provided plug does not fit into your outlet, consult an electrician for replacement of the obsolete outlet.
10. Protect the power cord from being walked on or pinched particularly at plugs, convenience receptacles, and the point where they exit from the apparatus.
11. Only use attachments/accessories specified by the manufacturer.
12. Use only with a cart, stand, tripod, bracket, or table specified by the manufacturer, or sold with the apparatus. When a cart is used, use caution when moving the cart/apparatus combination to avoid injury from tip-over. PORTABLE CART WARNING  
(symbol provided by RETAC)
13. Unplug this apparatus during lightning storms or when unused for long periods of time.
14. Refer all servicing to qualified service personnel. Servicing is required when the apparatus has been damaged in any way, such as power-supply cord or plug is damaged, liquid has been spilled or objects have fallen into the apparatus, the apparatus has been exposed to rain or moisture, does not operate normally, or has been dropped.
15. **WARNING:** To reduce the risk of fire or electric shock, do not expose this apparatus to rain or moisture. Do not place objects filled with water, such as a vase, on the apparatus.
16. The AC mains plug is used as the power disconnect device and it should remain readily accessible and operable during intended use. In order to completely disconnect the apparatus from power, the mains plug should be completely removed from the AC outlet socket.
17. **CAUTION:** To reduce the risk of fire or explosion, do not expose batteries to excessive heat such as sunshine, fire or other heat sources.

# Included

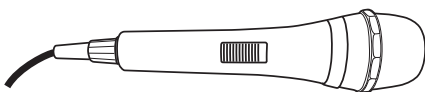
What's in the box.



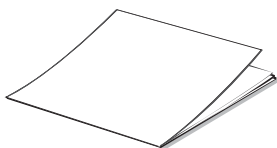
Main Unit



AC Adapter

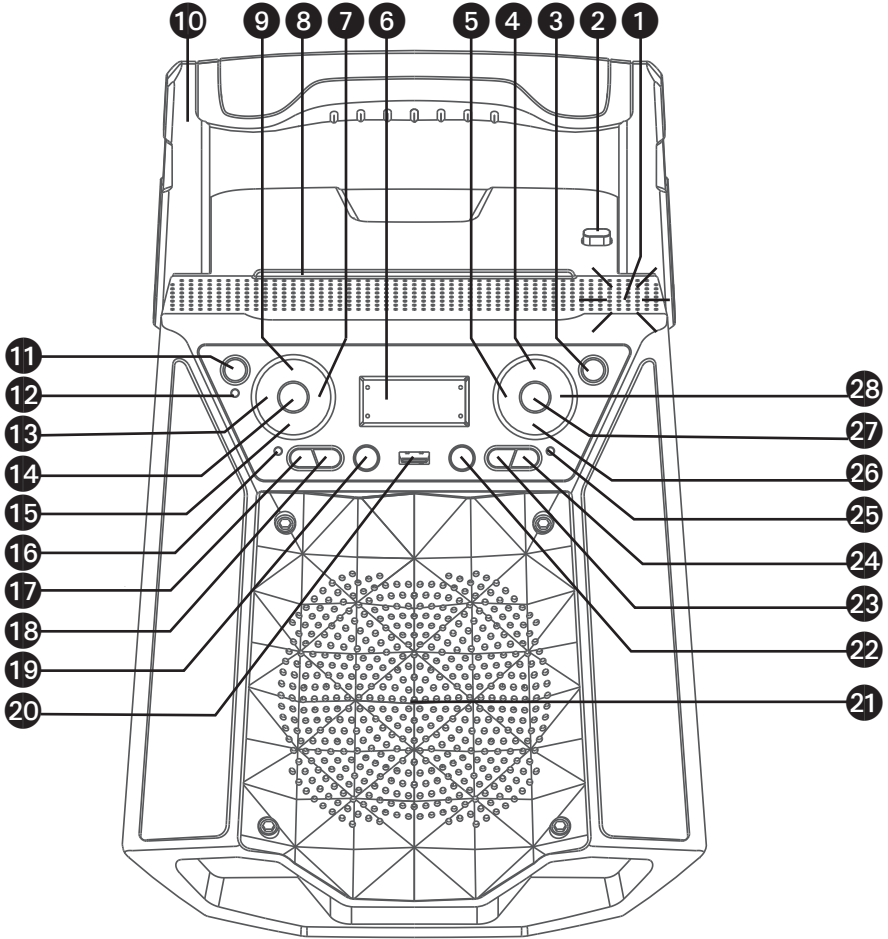


Wired Microphone x2



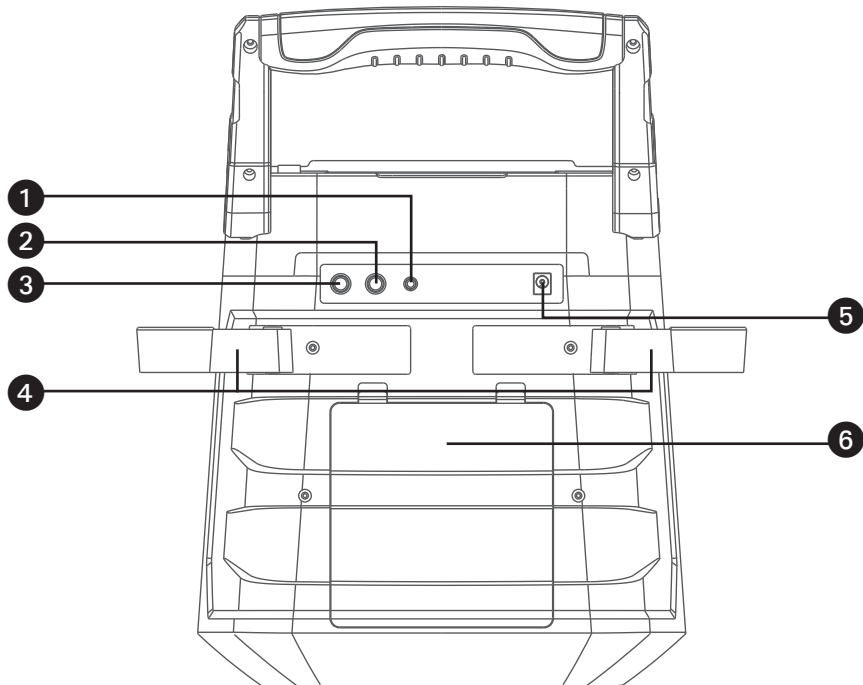
Manual

# Location of Controls (Top/Front)



- |                                 |                          |                               |
|---------------------------------|--------------------------|-------------------------------|
| 1. Virtual Assistant microphone | 11.  ON/STANDBY Button   | 22.  Virtual Assistant Button |
| 2. Handle release Button        | 12. Power indicator      | 23. PLAYBACK Button           |
| 3. FUNCTION Button              | 13. LIGHTS Button        | 24. RECORD Button             |
| 4. MASTER VOLUME + Button       | 14. REPEAT Button        | 25. Record indicator          |
| 5. Skip  Button                 | 15. MIC VOLUME - Button  | 26. MASTER VOLUME - Button    |
| 6. Display                      | 16. Bluetooth indicator  | 27.  (PLAY/PAUSE) Button      |
| 7. SKIP 10+ Button              | 17. BLUETOOTH Button     | 28. Skip  Button              |
| 8. Cradle                       | 18. VOCALS OFF Button    |                               |
| 9. MIC VOLUME + Button          | 19. VOICE EFFECTS Button |                               |
| 10. Handle                      | 20. USB slot             |                               |
|                                 | 21. Speaker              |                               |

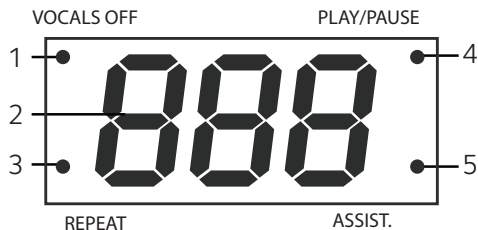
# Location of Controls (Rear)



- 1. Line In Jack
- 2. Mic 2 Jack
- 3. Mic 1 Jack

- 4. Mic Holders
- 5. DC In Jack
- 6. Battery Compartment

# Location of Controls (Display)

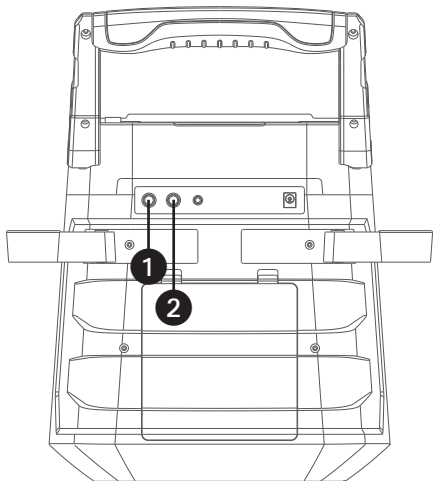


- 1. Vocals Indicator
- 2. Display
- 3. Repeat Indicator

- 4. Play/Pause Indicator
- 5. Assistant indicator

# Connection

## Connecting the Microphone(s)



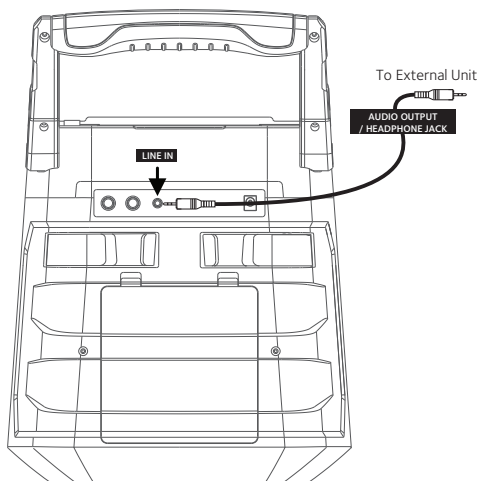
### Microphones:

Connect a microphone into MIC jack 1 ❶ as well as MIC jack 2 ❷ (when desired).

**Note:** Do not drop or tap the Mic as damage to the Mic or speakers may occur. Do not twirl the microphone by cord as it will cause damage to the encased wiring.

---

## Connecting to Line In Jack



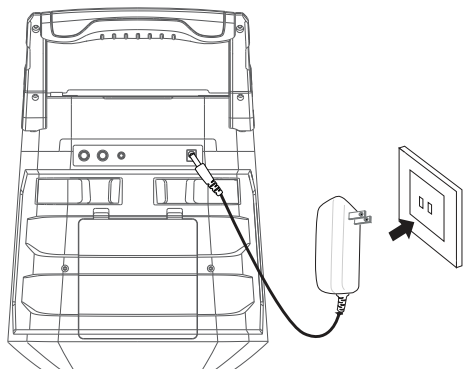
Connect an external device by using an appropriate cable (3.5mm audio cable not included) as shown.

### Note:

See page E14 to select and use the Line In function.

# Connection

## Connecting to AC Power

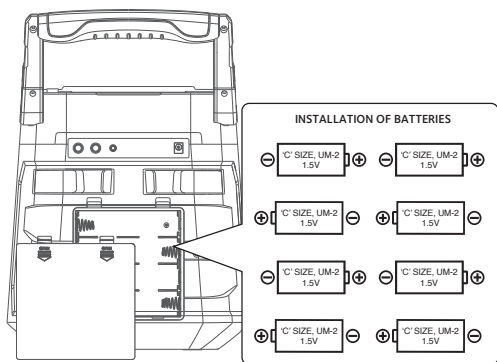


Insert the AC power cord into a conveniently located AC outlet having 120V AC, 60Hz.

### Note:

Make all connections before connecting to AC power.

## Inserting Batteries



1 Slide the battery door in the direction the arrows to reveal the battery compartment. Insert eight (8) "C" size alkaline batteries (not included) as indicated on the diagram.

2 Replace cover tightly before operating.

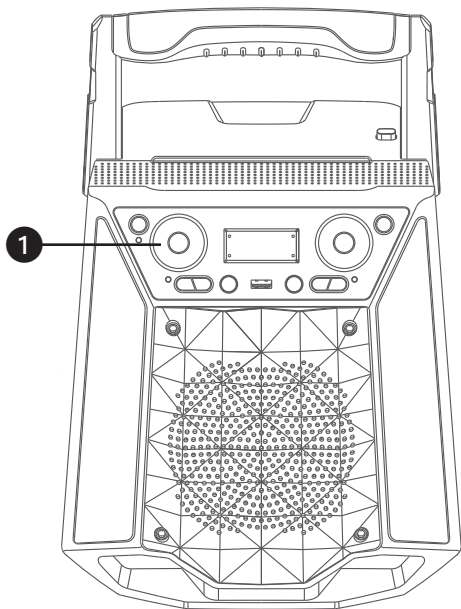
### Battery Precautions

The precautions below should be followed when using batteries in this device:

1. Use only the size and type of batteries specified.
2. Be sure to follow the correct polarity when installing the batteries as indicated in the battery compartment. Reversed batteries may cause damage to the device.
3. Do not mix different types of batteries together (e.g. Alkaline and Carbon Zinc) or old batteries with fresh ones.
4. If the device is not to be used for a long period of time, remove the batteries to prevent damage or injury from possible battery leakage.
5. Do not try to recharge batteries not intended to be recharged, they can overheat and rupture. (Follow battery manufacturer's directions.)
6. Rechargeable batteries are to be removed from the product before being charged.
7. Rechargeable batteries are only to be charged under adult supervision.
8. Exhausted batteries are to be removed from the product.
9. Batteries shall not be exposed to excessive heat such as sunshine, fire or the like.

# Operation

## Disco Lights



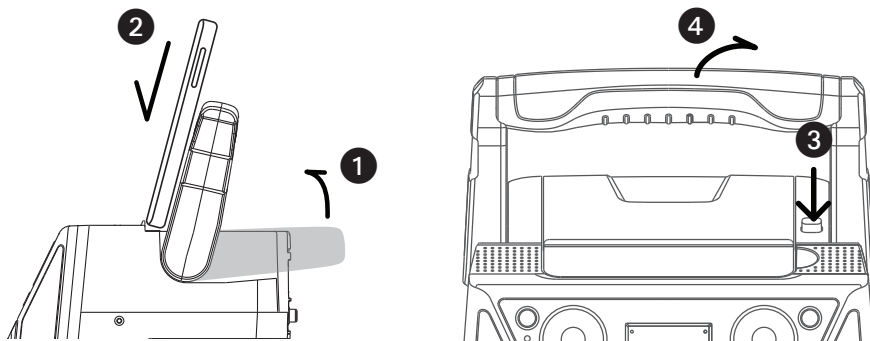
When the unit is turned on, the Light mode 1 is automatically activated. The lights will light up and will synchronize with sound when you speak or sing into the microphone.

Press the **LIGHTS** button for Light mode 2 which will display the light show but will not respond to the microphone.

Press the **LIGHTS** button again to turn off the Lights.

---

## Cradle



Lift the handle **1** until you hear a “Click” sound, the handle will be locked in position.

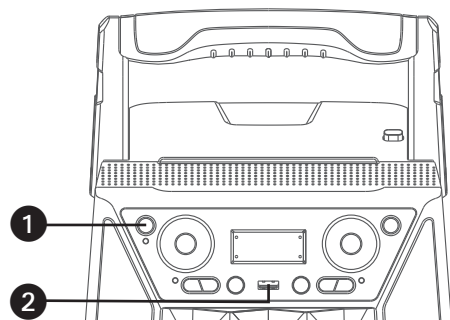
You can now rest your mobile device on the cradle **2**.

To release the handle back to the origin, press the **HANDLE RELEASE** button **3** once and push the handle back to the end.

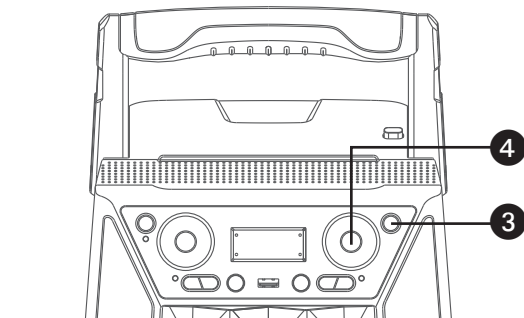


# Operation

## Playing Songs from the USB

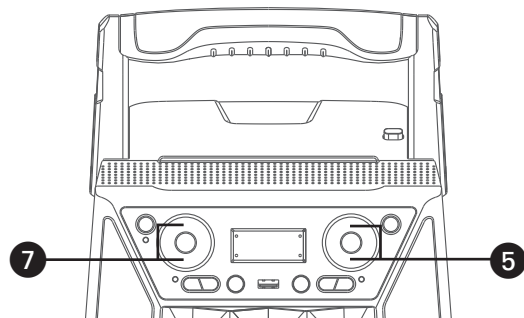


1 Connect the unit as described previously. Press the **⏻** button to turn the unit on; the power indicator will turn on.



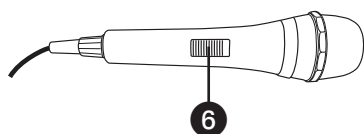
2 Insert a USB flash drive into the USB slot on the unit.

3 Repeatedly press the **FUNC** button to select the USB mode; "USB" will appear when searching the drive and then the total number of files will appear.



4 Press the **▶||** button to start playback. During playback, if you wish to pause the music momentarily, press the **▶||** button; the Play/Pause indicator will blink. Press again to resume normal playback.

5 Adjust the volume to a comfortable level pressing the **MASTER VOL +** or **-** button.

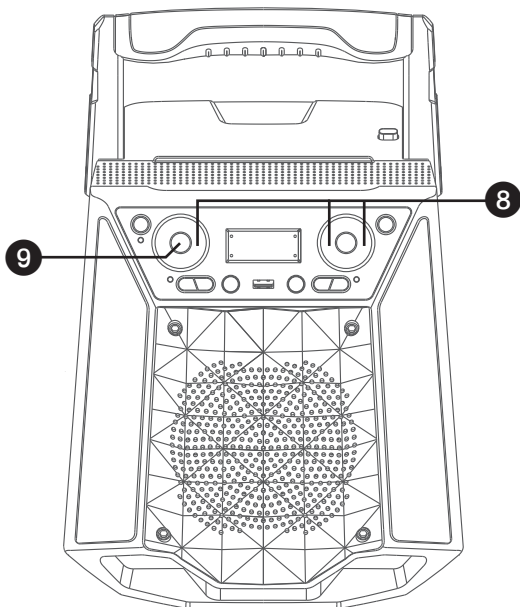


6 Connect microphone(s) and slide the **ON/OFF** switch on the microphone to the ON position.

7 Press the **MIC VOLUME +** or **-** button as desired, which will affect both microphones.

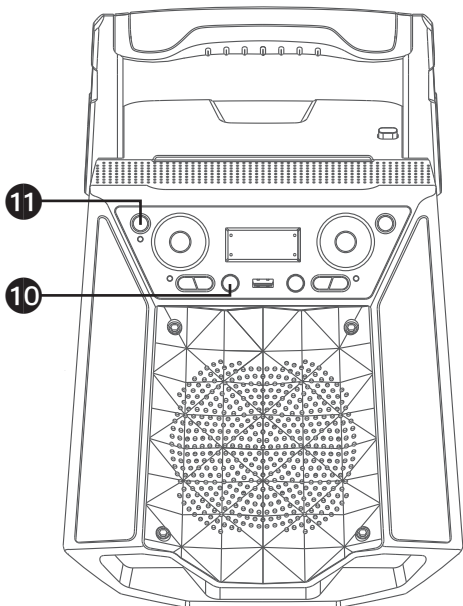
# Operation

## Playing Songs from the USB (Continued)



**8** **SKIP:** Advance or go back one track by pressing the **◀◀** or **▶▶** button. You can also skip ahead 10 files/tracks using the **SKIP 10+** button.

**9** **REPEAT:** During playback, press the **REPEAT** button once to repeatedly play the selected song; the repeat indicator will blink slowly. Press the **REPEAT** button a second time to repeatedly play the selected folder; the repeat indicator will blink rapidly. Press a third time to repeatedly play the USB; the repeat indicator will light solid. Press it again to cancel Repeat function; the indicator will turn off.



## **10** SING-ALONG WITH BUILT-IN VOICE CHANGERS

There are 6 built-in voice changers in this unit. Repeatedly press the **VOICE EFFECTS** button to select different vocal effects.

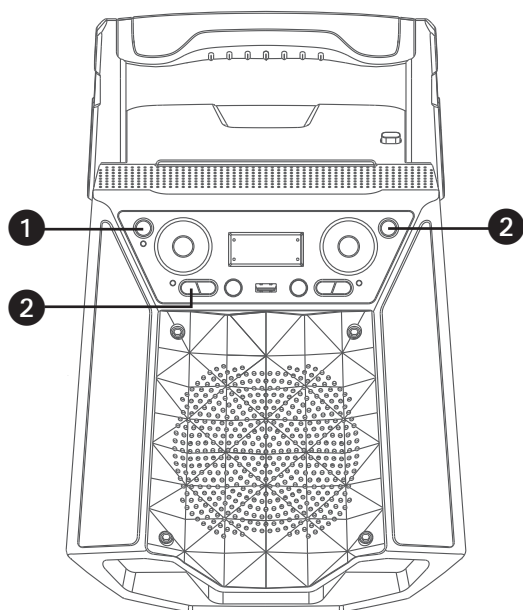
Display will show:

- EF0 - NONE
- EF1 - ECHO
- EF2 - FEMALE
- EF3 - MALE
- EF4 - CHIPMUNK
- EF5 - ROBOT
- EF6 - RADIO

**11** Press the **⏻** button to turn the unit off; the power indicator will turn off.

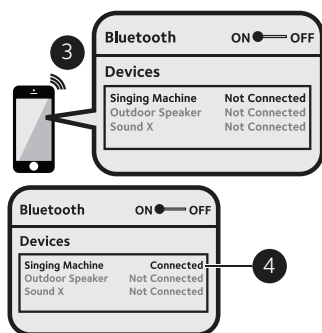
# Operation

## Using a Bluetooth Device



1 Connect the unit as described previously. Press the **U** button to turn the unit on; the power indicator will turn on.

2 Repeatedly press the **FUNC** button to select the Bluetooth; “bt” will appear in the display. The unit automatically searches and pairs a previously paired Bluetooth device (if previously paired). If no previously paired devices are present, you cannot find this unit on your bluetooth compatible device’s search list, connect as shown in the next step.



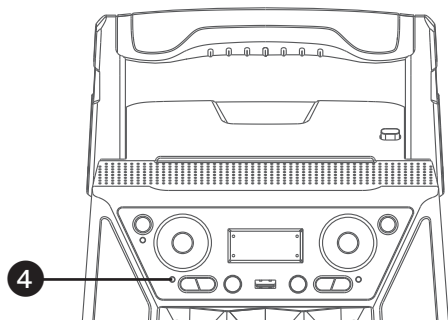
3 Press and hold the **BT** button, the bluetooth indicator will flash alternate blue and red light and the display will flash alternatively “bt” & “pr” in 60 seconds. Your device’s Bluetooth option in settings to search for a discoverable device with a Bluetooth signal. Select “SINGING MACHINE” from the device results on the Bluetooth menu.

### NOTES:

- You can also press and hold the **BT** button to disconnect any paired devices in order to pair another device.
- Also refer to the user manual of your Bluetooth device for detailed instructions.

# Operation

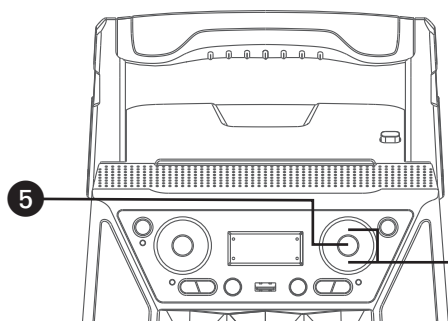
## Using a Bluetooth Device (Continued)



**4** The Bluetooth indicator will light solid blue and a chime will sound.

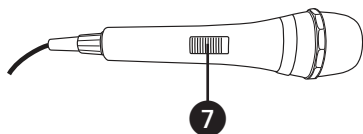
### NOTES:

- If your Bluetooth prompts you for a passcode during the pairing process, please enter "0000" to connect.
- On some Bluetooth devices, once pairing is complete, select your Bluetooth device as "Use as Audio Device" or similar.
- If connection is lost after successful pairing, check to make sure the distance between speaker and Bluetooth-enabled device does not exceed 30 feet/10 meters.



**5** Start playback of your bluetooth device. Press the **▶||** button during playback to pause the song; the Play/Pause indicator will blink. Press again to resume normal playback.

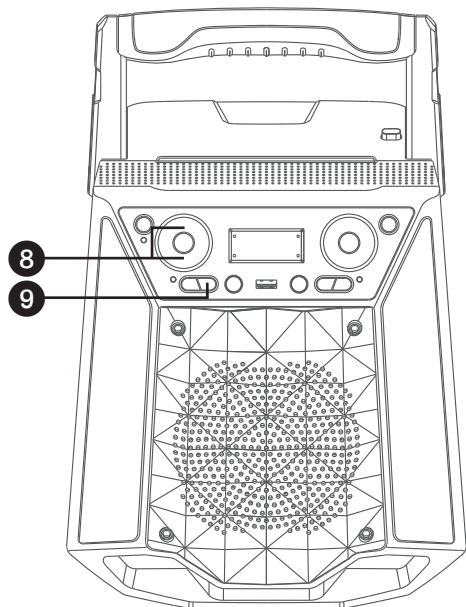
**6** Adjust the volume to a comfortable level pressing the **MASTER VOL +** or **-** button. As well as the volume on your Bluetooth device.



**7** Connect microphone(s) and slide the **ON/OFF** switch on the microphone to the ON position.

# Operation

## Using a Bluetooth Device (Continued)

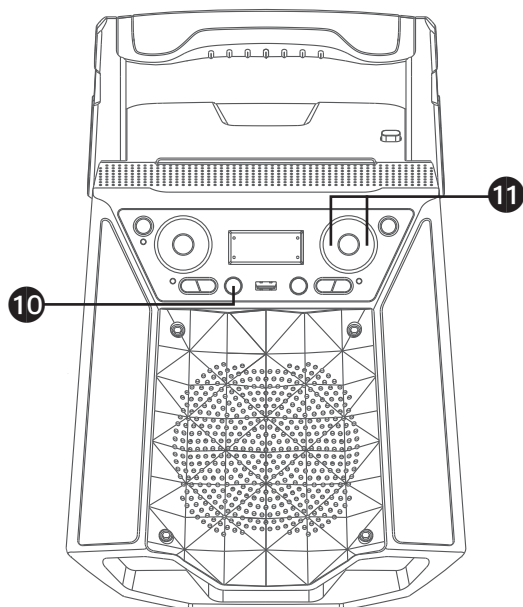


**8** Press the **MIC VOLUME +** or **-** button as desired, which will affect both microphones.

**9** To sing without the lead singer on the recording, press the **VOCALS OFF** button, the vocal off indicator will light solid red. To resume the lead singer, press the **VOCALS OFF** button again.

### NOTES:

- Lead vocal removal may work better on some songs than others.
- The lead vocal function will automatically stop when the **REC** button is pressed.



## **10** SING-ALONG WITH BUILT-IN VOICE CHANGERS

There are 6 built-in voice changers in this unit. Repeatedly press the **VOICE EFFECTS** button to select different vocal effects.

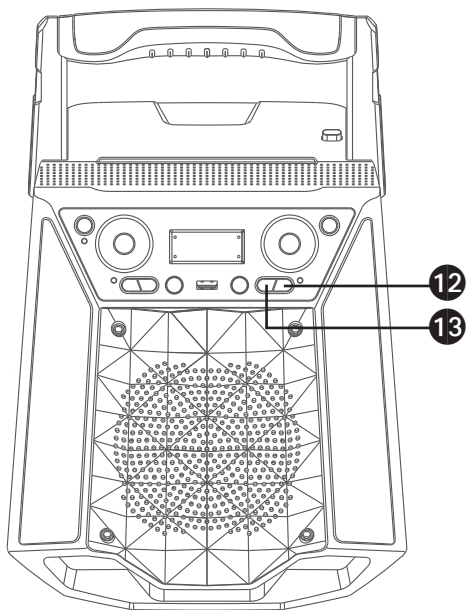
Display will show:

- EF0 - NONE
- EF1 - ECHO
- EF2 - FEMALE
- EF3 - MALE
- EF4 - CHIPMUNK
- EF5 - ROBOT
- EF6 - RADIO

**11** **SKIP:** Advance or go back one track by pressing the **◀◀** or **▶▶** button respectively.

# Operation

## Using a Bluetooth Device (Continued)



### 12 RECORD YOUR VOCAL PERFORMANCE:

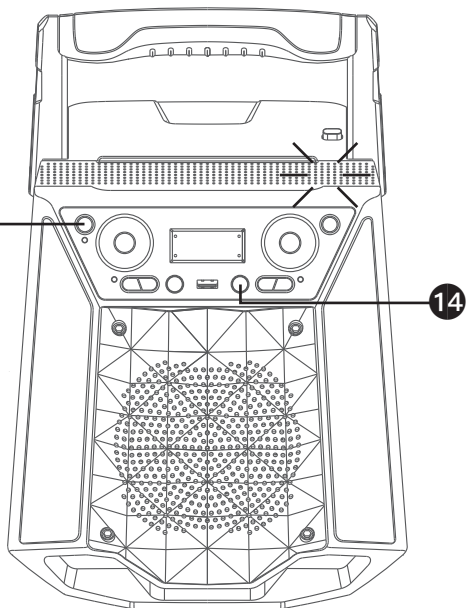
To record your singing as well as the music, press the **REC** button. Recording will begin and the record indicator will light solid.

When done recording, press the **REC** button again; the record indicator will turn off.

#### NOTES:

- A USB drive (not included) must be inserted into USB slot to record.
- The recorded audio file will record onto the USB drive.
- See section “Playing Songs from the USB” to play back your recorded files.
- You can only record your singing when there is no voice effect (EFO - NONE).

### 13 Simply press the **PLAYBACK** button to playback your latest voice recordings.



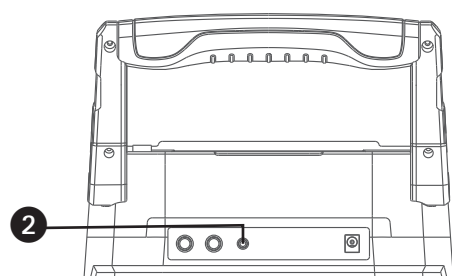
### 14 To voice control your mobile device, you can press the **VIRTUAL ASSISTANT** button and speak to the unit. Remember you have to speak to the Virtual assistant microphone which is located on the top of the unit.

**NOTE:** The voice control functions in Bluetooth connection mode only.

### 15 Press the **⏻** button to turn the unit off; the power indicator will turn off.

# Operation

## Using the LINE IN Jack

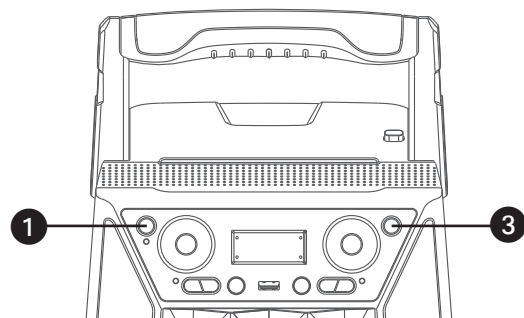


1 Connect the unit as described previously. Press the **⏻** button to turn the unit on; the power indicator will turn on.

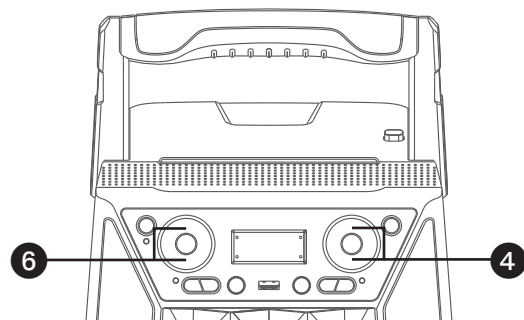
2 Connect the external unit to the LINE IN Jack on the back of this unit. Connecting an external unit will allow the audio to be played through your Singing Machine.

### Notes:

- It is highly recommended to set the volume on the auxiliary unit to 1/3 or lower to avoid distortion.
- Skipping files/tracks is not possible in this unit when using an external device.

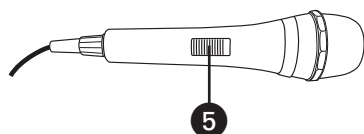


3 Repeatedly press the **FUNC** button to select the LINE IN mode; "AU" will appear in the display.



4 Adjust the volume to a comfortable level pressing the **MASTER VOL +** or **-** button on this unit or your external device's volume control.

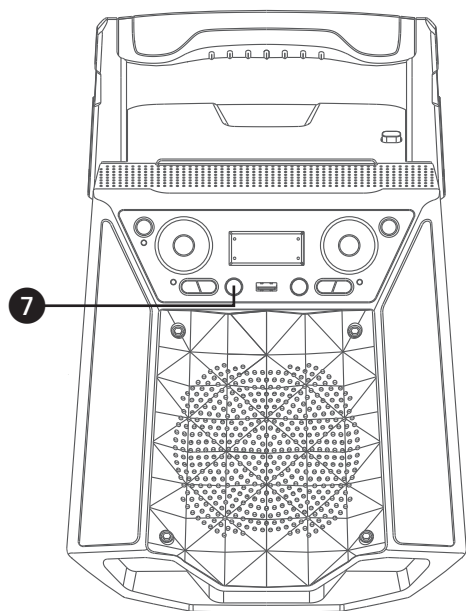
5 Connect microphone(s) and slide the **ON/OFF** switch on the microphone to the ON position.



6 Press the **MIC VOLUME +** or **-** button as desired, which will affect both microphones.

# Operation

## Using the LINE IN Jack (Continued)



### 7 SING-ALONG WITH BUILT-IN VOICE CHANGERS

There are 6 built-in voice changers in this unit. Repeatedly press the **VOICE EFFECTS** button to select different vocal effects.

Display will show:

- EFO - NONE
- EF1 - ECHO
- EF2 - FEMALE
- EF3 - MALE
- EF4 - CHIPMUNK
- EF5 - ROBOT
- EF6 - RADIO

### 8 RECORD YOUR VOCAL PERFORMANCE:

To record your singing as well as the music, press the **REC** button. Recording will begin and the record indicator will light solid.

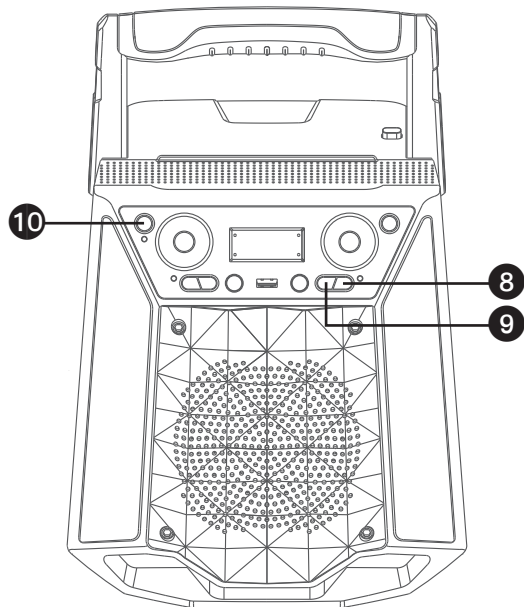
When done recording, press the **REC** button again; the record indicator will turn off.

#### NOTES:

- A USB drive (not included) must be inserted into USB slot to record.
- The recorded audio file will record onto the USB drive.
- See section “Playing Songs from the USB” to play back your recorded files.
- You can only record your singing when there is no voice effect (EFO - NONE).

### 9 Simply press the **PLAYBACK** button to playback your latest voice recordings.

### 10 Press the **POWER** button to turn the unit off; the power indicator will turn off.





# Troubleshooting Guide

Should this unit exhibit a problem, check the following before seeking service:

## No Power

- Power is not on; press the **U** button to turn power on.
- Confirm the AC adapter is connected securely to the back of the unit.
- Connect the unit to a different outlet.
- If using batteries, replace with new ones.
- The normal function of the product may be disturbed by strong Electro-Magnetic Interference. If so, simply restart the product to resume normal operation by following the instruction manual. In the event the function does not resume, please use the machine in another part of the home.

## No Sound – General

- **MASTER VOLUME** is set to minimum; raise volume.
- Correct Function was not selected; select using the **FUNC** button.
- If using an external device, raise the volume.

## No sound from the microphone

- Make sure the microphone is firmly connected to the **MIC 1** or **MIC 2** jack.
- Make sure the **Mic's ON/OFF** switch on the Mic is set to the ON position.
- Make sure the mic's volume is not set too low.
- **MASTER VOLUME** is set to minimum; raise volume.

## File(s) on USB jack not playing

- The file is corrupted; replace the file.
- The file is not in a format this unit will play.
- The connected USB device is not supported by the product.

## The Bluetooth device cannot be paired or connected with the unit

- You have not activated the Bluetooth function of your device; see page E10 or refer to the Bluetooth device user's manual.
- The system is not in pairing mode; press and hold the **BT** button to restart pairing.

## The Music is not available on the unit after successfully connecting the Bluetooth

- Ensure your Bluetooth device can support the A2DP Bluetooth profile.
- The volume on the external Bluetooth device is set to low or muted; raise as desired.

# Specifications

## AUDIO

Output Power ..... 8Watts (RMS) 10% THD  
Output Impedance..... 8 Ohms

## BLUETOOTH

Bluetooth Version .....V5.0  
Working Distance..... Up to 30 feet/10 meters measured in open space

## USB

Format..... FAT32  
Maximum Compatibility ..... 32GB

## GENERAL

Power ..... AC 100-240V ~ 50/60Hz  
Output ..... 12VDC  $\equiv$  1A  
Dimensions - Main Unit..... 251 mm (W) x 351 mm (H) x 207 mm (D)  
Weight - Main Unit..... 1.7 Kg  
Microphone..... -74 dB 600 Ohms impedance with 6.3 mm Dynamic Microphone  
Line In ..... 3.5mm Stereo Jack

Specifications are subject to change without notice.



**Bluetooth**

The Bluetooth® word mark and logos are registered trademarks owned by Bluetooth SIG, Inc. and any use of such marks by The Singing Machine Company, Inc. is under license. Other trademarks and trade names are those of their respective owners.

Visit Our Website: [www.singingmachine.com](http://www.singingmachine.com)

Copyright © 2023 - All Rights Reserved.

U.S. Representative

Company Name : The Singing Machine Company, Inc.

Address : 6301 NW 5th Way, Suite 2900, Fort Lauderdale,  
FL33309, USA

Telephone : 954 -596-1000

Website : [www.singingmachine.com](http://www.singingmachine.com)

PRINTED IN CHINA  
2260-2304-ENG02-US