

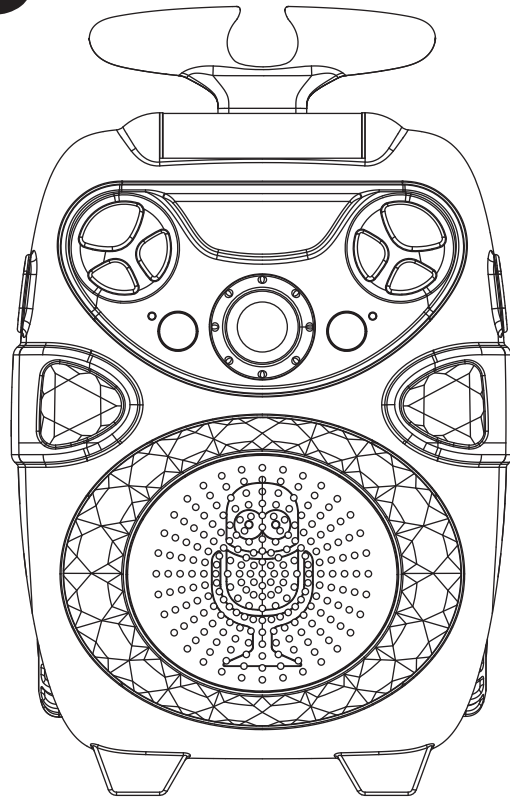


SMK264

INSTRUCTION MANUAL



Age 3yrs+



**WARNING: STRANGULATION HAZARD- LONG CORD. NOT FOR CHILDREN UNDER 36 months.**

## Included

What's in the box



Wired Microphone

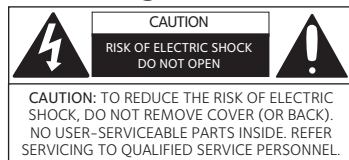
[www.singingmachine.com/kids](http://www.singingmachine.com/kids)

The Singing Machine® is a registered trademark of The Singing Machine Co., Inc.  
Copyright © 2020 All Rights Reserved.

The Singing Machine Company, Inc.  
4060 E Jurupa Street, Unit B  
Ontario, CA 91761-1413 USA

PRINTED IN CHINA  
264-2004-ENGO1-US

## Warnings



**CAUTION: TO REDUCE THE RISK OF ELECTRIC SHOCK, DO NOT REMOVE COVER (OR BACK). NO USER-SERVICEABLE PARTS INSIDE. REFER SERVICING TO QUALIFIED SERVICE PERSONNEL.**

**CAUTION: TO REDUCE THE RISK OF ELECTRIC SHOCK, DO NOT REMOVE COVER (OR BACK). NO USER-SERVICEABLE PARTS INSIDE. REFER SERVICING TO QUALIFIED SERVICE PERSONNEL.**

**CAUTION: TO REDUCE THE RISK OF ELECTRIC SHOCK, DO NOT REMOVE COVER (OR BACK). NO USER-SERVICEABLE PARTS INSIDE. REFER SERVICING TO QUALIFIED SERVICE PERSONNEL.**

**CAUTION: TO REDUCE THE RISK OF ELECTRIC SHOCK, DO NOT REMOVE COVER (OR BACK). NO USER-SERVICEABLE PARTS INSIDE. REFER SERVICING TO QUALIFIED SERVICE PERSONNEL.**

**CAUTION: TO REDUCE THE RISK OF ELECTRIC SHOCK, DO NOT REMOVE COVER (OR BACK). NO USER-SERVICEABLE PARTS INSIDE. REFER SERVICING TO QUALIFIED SERVICE PERSONNEL.**

**FCC WARNING:** This equipment may generate or use radio frequency energy. Changes or modifications to this equipment may cause harmful interference unless the modifications are expressly approved in the instruction manual. The user could lose the authority to operate this equipment if an unauthorized change or modification is made. This device complies with part 15 of the FCC Rules. Operation is subject to the following two conditions: (1) This device may not cause harmful interference, and (2) this device must accept any interference received, including interference that may cause undesired operation.

**NOTE:** This equipment has been tested and found to comply with the limits for a Class B digital device, pursuant to part 15 of the FCC Rules. These limits are designed to provide reasonable protection against harmful interference in a residential installation. This equipment generates, uses and can radiate radio frequency energy and, if not installed and used in accordance with the instructions, may cause harmful interference to radio communications. However, there is no guarantee that interference will not occur in a particular installation. If this equipment does cause harmful interference to radio or television reception, which can be determined by turning the equipment off and on, the user is encouraged to try to correct the interference by one or more of the following measures:

- Reorient or relocate the receiving antenna.
- Increase the separation between the equipment and receiver.
- Connect the equipment into an outlet on a circuit different from that to which the receiver is connected.
- Consult the dealer or an experienced radio/TV technician for help.
- The rating information is located at the rear of the unit.

### INDUSTRY CANADA NOTICE:

This device contains licence-exempt transmitter(s)/receiver(s) that comply with Innovation, Science and Economic Development Canada's licence-exempt RSS(s). Operation is subject to the following two conditions: (1) This device may not cause interference. (2) This device must accept any interference, including interference that may cause undesired operation of the device. CAN ICES-3(B)/NMB-3(B)

**WARNING: TO PREVENT FIRE OR SHOCK HAZARD, DO NOT EXPOSE THIS UNIT TO RAIN OR MOISTURE.**

## Important Safety Information

1. Read these Instructions.
2. Keep these Instructions.
3. Heed all Warnings.
4. Follow all Instructions.
5. Do not use this apparatus near water.
6. Clean only with a dry cloth.
7. Do not block any of the ventilation openings. Install in accordance with the Manufacturer's instructions.
8. Do not install near any heat sources such as radiators, heat registers, stoves, or other apparatus (including amplifiers) that produce heat.
9. Protect the power cord from being walked on or pinched particularly at plugs, convenience receptacles, and the point where they exit from the apparatus.
10. Only use attachments/accessories specified by the manufacturer.
11. Use only with a cart, stand, tripod, bracket, or table specified by the manufacturer, or sold with the apparatus. When a cart is

used, use caution when moving the cart/ apparatus combination to avoid injury from tip-over.

12. Unplug this apparatus during lightning storms or when unused for long periods of time.

13. Refer all servicing to qualified service personnel.

Service is required when the apparatus has been damaged in any way, such as power-supply cord or plug is damaged, liquid has been spilled or objects have fallen into the apparatus, the apparatus has been exposed to rain or moisture, does not operate normally, or has been dropped.

14. **WARNING:** To reduce the risk of fire or electric shock, do not expose this apparatus to rain or moisture. Do not place objects filled with liquid should be completely removed from the AC outlet socket.

15. **CAUTION:** To reduce the risk of fire or explosion, do not expose batteries to excessive heat such as sunshine, fire or other heat sources.

16. **CAUTION! ELECTRICALLY OPERATED PRODUCT**

- Not suitable for children under 3 years of age. As with all electric products, precautions should be observed during handling and use to prevent electrical shock.



## Troubleshooting Guide

Should this unit exhibit a problem, check the following before seeking service:

### No Power

- Power is not on; press the **U** button to turn the unit on.
- Confirm that the USB jack is connected securely to the back of the unit.
- Connect the unit to a different outlet.
- Confirm that the batteries are installed correctly.
- **The normal function of the product may be disturbed by strong Electro-Magnetic Interference. If so, simply restart the product to resume normal operation by following the instruction manual. In the event the function does not resume, please use the machine in another part of the home.**

### No Sound – General

- **VOLUME** is set to minimum; raise volume.
- Cable connected to LINE IN jack. When a cable is connected, the Line in function is selected. Unplug to select Bluetooth.

### No sound from the microphone

- Make sure microphone is firmly connected to the **MIC** jack.
- Make sure microphone is turned on.
- **VOLUME** is set to minimum; raise volume.

### The Bluetooth device cannot be paired or connected with the unit

- You have not activated the Bluetooth function of your device; refer to the Bluetooth device user's manual.
- Ensure any other Bluetooth devices are turned off to avoid accidental pairing.
- The system is not in pairing mode; press and hold the **▶||/⊗** button to restart pairing.

### The Music is not available on the unit after successfully connecting the Bluetooth

- Ensure your Bluetooth device can support the A2DP Bluetooth profile.
- The volume on the external Bluetooth device is set to low or muted; raise as desired
- Make sure your music's application is open.

## Specifications

### AUDIO SECTION

Output Power (Maximum) ..... 2W (RMS)

### BLUETOOTH

Working Distance ..... Up to 30 feet/10 meters measured in open space

### LINE IN SECTION

..... 3.5 mm Stereo Headphone Jack

### POWER SECTION

Battery ..... DC6V ("C" cell 1.5V x 4pcs) (batteries not included)

Input Power ..... Micro USB DC5V 1A

**DIMENSION** ..... 6.9W x 9.1L x 15.6H inches/ 17.6 x 23.2 X 39.5cm

Adjustable height 15.6 ~ 22 H inches/ 39.5 ~ 55.9 cm (optional)

Weight ..... 3.3 lbs/ 1.5 kgs

Specifications are subject to change without notice.

Please retain the instructions for further reference, as they contain important information.

# Making the Connections

## BATTERY OPERATION

1. Remove the battery compartment cover on the back of the main unit by using a Phillips-head screw driver.
2. Insert four (4) "C" size alkaline batteries (not included) as indicated on the diagram.
3. Replace the cover tightly before operating by using a Phillips-head screw driver.

## CAUTION:

- Replace all batteries at the same time.
- Do not mix old batteries with new batteries.
- Do not plug the USB power when the batteries are installed.

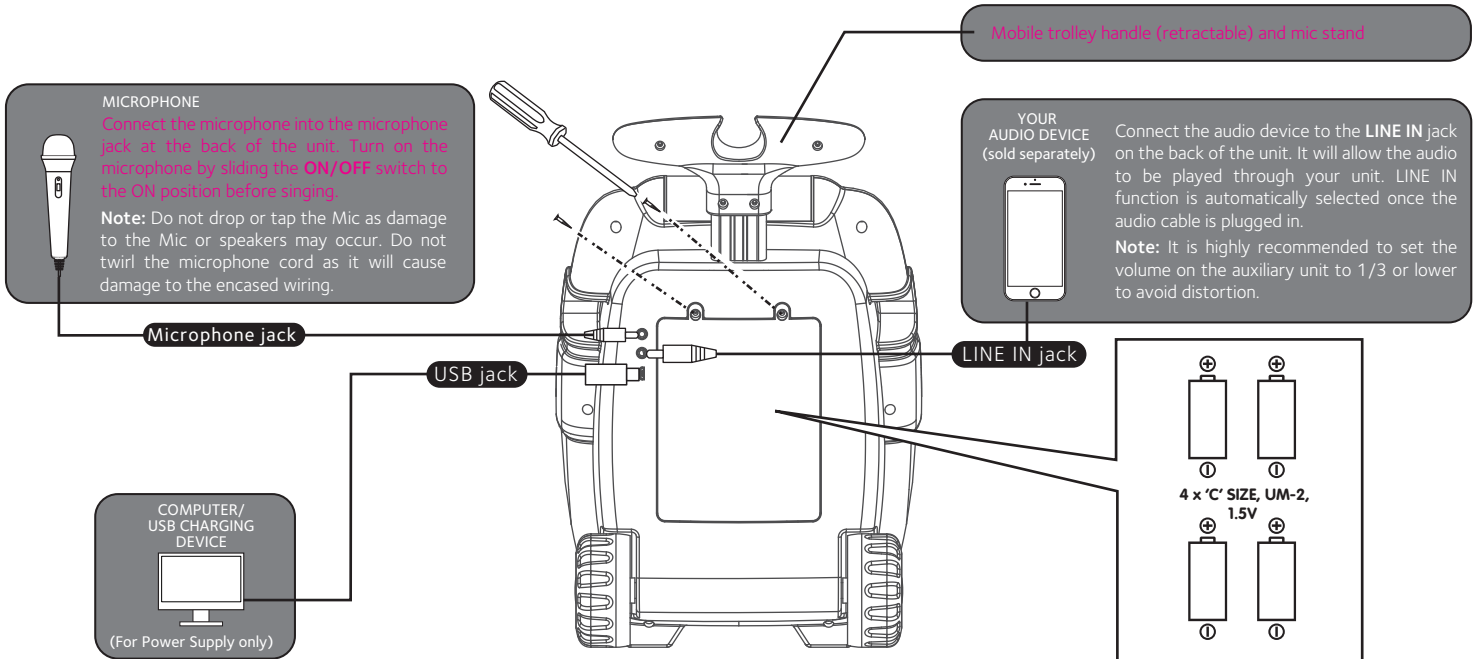
## CONNECTING TO POWER

Insert the USB cable (not included) into micro USB port on rear of the unit. Plug the other end of the cable into computer USB port or other USB charging device (not included).

## BATTERY PRECAUTIONS

The precautions below should be followed when using batteries in this device:

1. Warning – Danger of explosion if battery is incorrectly replaced. Replace only with the same or equivalent type.
2. Use only the size and type of batteries specified.
3. Be sure to follow the correct polarity when installing the batteries as indicated in the battery compartment. A reversed battery may cause damage to the device.
4. Do not mix different types of batteries together (e.g. Alkaline, Rechargeable and Carbon-zinc) or old batteries with fresh ones.
5. If the device is not to be used for a long period of time, remove the batteries to prevent damage or injury from possible battery leakage.
6. Do not try to recharge a battery not intended to be recharged; it can overheat and rupture. (Follow the battery manufacturer's directions.)
7. Remove the batteries promptly once its charge is low.
8. Clean the battery contact and also those of the device prior to installing the battery.



# Operation

## Energy Saving Mode (Auto Power System-APS)

This unit will automatically turn off after 20 minutes of inactivity. APS is for energy saving purposes.

## SING-ALONG WITH BUILT-IN LOOP SONGS

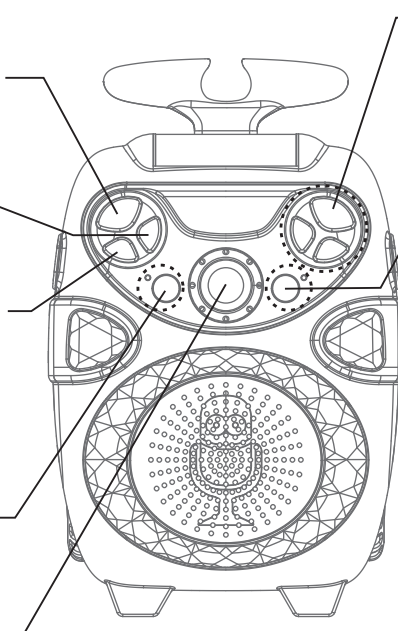
**5** There are 3 built-in loop songs. Repeatedly press button to play the 3 different songs. The loop song will stop when pressing fourth time.

**6** Press the button to turn on or off an echo effect to your voice.

**7** When the unit is turned on, the Light mode 1 is automatically activated. The lights will light up and will synchronize with sound when you speak or sing into the microphone. Press the button for Light mode 2 which will display the light show but will not respond to the microphone. Press the button once again to turn off the Lights.

**1** Connect the unit as shown in illustration. Press the button to turn the unit on; the power indicator will light up red.

**2** Adjust the volume to a comfortable level by rotating the **VOLUME** control on the unit.



## PLAYING BUILT-IN EFFECTS

**4** Press , or button to play three different built-in sound effects.

## USING A BLUETOOTH DEVICE

**3** The unit automatically searches for and pairs a previously paired Bluetooth device (if previously paired). **if no previously paired devices are present and you cannot find this unit on your bluetooth compatible device's search list, connect as shown in the next step.** Press and hold the button to start the bluetooth pair mode, the indicator will start flashing blue and green. **Select and pair "Kids Fiesta" on your bluetooth compatible device's search list. The indicator will turn solid blue when pairing is completed. A chime and solid blue light will indicate pairing is successful.**

## Notes:

- If your Bluetooth device prompts you for a passcode during the pairing process, please enter "0000" to connect. If pairing fails, repeat steps. If you have paired before, a list of previously searched results will be displayed. Select "Kids Fiesta" again. On some Bluetooth devices (i.e., computers), once pairing is complete, you must select your Bluetooth device as "Use as Audio Device" or similar.
- To avoid excessive over amplified sound output, it is recommended that the volume control is initially adjusted to one third or less and then increase if required.
- During Bluetooth operation, DO NOT plug the audio cable into the LINE IN jack, or it will turn the LINE IN mode on.
- PLAY/PAUSE: Press the Play/Pause button on the Bluetooth device or button on the unit to start.
- Press and hold button to disconnect any paired device in order to pair with another device, the indicator will turn flashing blue and green.