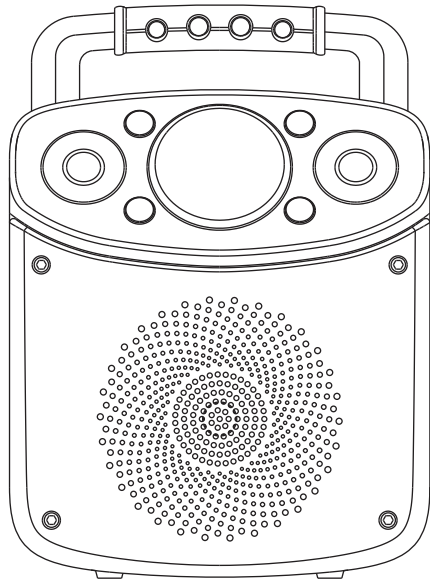




# SML294 INSTRUCTION MANUAL

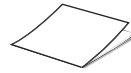


[www.singmachine.com](http://www.singmachine.com)

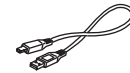
The Singing Machine® is a registered trademark of The Singing Machine Co., Inc.  
Copyright © 2023 All Rights Reserved.

## Included

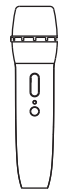
What's in the box



Manual



USB Charging Cable



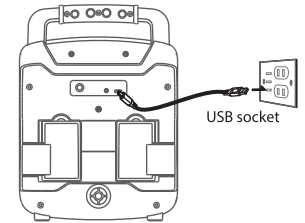
Wireless Dynamic  
Microphone x2

## Rechargeable Battery

This unit comes with a built-in rechargeable battery pack that will allow the unit to be used without being connected to AC power. The rechargeable battery pack must NOT be serviced/replaced by the user.

To optimize the battery life, we recommend to charge the unit once a month. When the "singing machine" logo on the display flashes red and a beeping sound turns on, please follow the steps below to charge the unit:

- 1 Insert the USB cable (included) into USB Type-C port on rear of the unit. Plug the other end of the cable into computer USB port or other USB charging device (not included).
- 2 Allow the unit to charge for approximately 8 hours for a full charge. When fully charged, the "singing machine" logo on the display will turn green.
- 3 Disconnect the USB cable and the fully charged unit can be used for approximately 4 hours depending on the function chosen.



**NOTE:** This unit is operated by an internal chargeable lithium battery. The unit cannot be turned on if the battery level is too low. It's suggested for the user to the unit for about 5 mins to charge up the battery. (This will not fully charge the battery, see above for charging time required).

**ATTENTION:** The sound volume will adjust automatically when the battery is not full.

Recycling and Disposal Information:

- Do not dispose of electronic devices or any of their components. (especially batteries and LCD displays) in your municipal trash collection.
- Consult your local waste management authority or a recycling organization like Earth911.com to find an electronics recycling facility in your area.

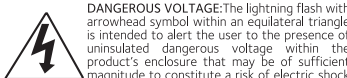
**CAUTION:** Rechargeable batteries must be recycled or disposed of properly.

PRINTED IN CHINA  
294-2304-ENG02-US

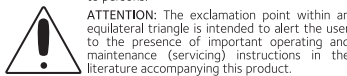
## Warnings



**CAUTION: TO REDUCE THE RISK OF ELECTRIC SHOCK, DO NOT REMOVE COVER (OR BACK). NO USER-SERVICEABLE PARTS INSIDE. REFER SERVICING TO QUALIFIED SERVICE PERSONNEL.**



**DANGEROUS VOLTAGE:** The lightning flash with arrowhead symbol within an equilateral triangle is intended to alert the user to the presence of uninsulated dangerous voltage within the product's enclosure that may be of sufficient magnitude to constitute a risk of electric shock to persons.



**ATTENTION:** The exclamation point within an equilateral triangle is intended to alert the user to the presence of important operating and maintenance (servicing) instructions in the literature accompanying this product.

**DRIPPING WARNING:** This product shall not be exposed to dripping or splashing, and no objects filled with liquids, such as vases, shall be placed on the product.

**VENTILATION WARNING:** The normal ventilation of the product shall not be impeded for intended use.

**Warnings:**  
Changes or modifications to this unit not expressly approved by the party responsible for compliance could void the user's authority to operate the equipment.

**FCC WARNING:** This equipment may generate or use radio frequency energy. Changes or modifications to this equipment may cause harmful interference unless the modifications are expressly approved in the instruction manual. The user could lose the authority to operate this equipment if an unauthorized change or modification is made.

This device complies with part 15 of the FCC Rules. Operation is subject to the following two conditions: (1) This device may not cause harmful interference, and (2) this device must accept any interference received, including interference that may cause undesired operation.

**NOTE:** This equipment has been tested and found to comply with the limits for a Class B digital device, pursuant to part 15 of the FCC Rules. These limits are designed to provide reasonable protection against harmful interference in a residential installation. This equipment generates, uses and can radiate radio frequency energy and, if not installed and used in accordance with the instructions, may cause harmful interference to radio communications. However, there is no guarantee that interference will not occur in a particular installation. If this equipment does cause harmful interference to radio or television reception, which can be determined by turning the equipment off and on, the user is encouraged to try to correct the interference by one or more of the following measures:

- Reorient or relocate the receiving antenna.
- Increase the separation between the equipment and receiver.
- Connect the equipment into an outlet on a circuit different from that to which the receiver is connected.
- Consult the dealer or an experienced radio/TV technician for help.
- The rating information is located at the rear of the unit.

**WARNING: TO PREVENT FIRE OR SHOCK HAZARD, DO NOT EXPOSE THIS UNIT TO RAIN OR MOISTURE.**

**RF Exposure Warning Statements:**  
This equipment complies with FCC radiation exposure limits set forth for an uncontrolled environment. This equipment shall be installed and operated with minimum distance 20cm between the radiator & body.

## Important Safety Information

1. Read these Instructions.
2. Keep these Instructions.
3. Heed all Warnings.
4. Follow all Instructions.
5. Do not use this apparatus near water.
6. Clean only with a dry cloth.
7. Do not block any of the ventilation openings. Install in accordance with the Manufacturer's instructions.
8. Do not install near any heat sources such as radiators, heat registers, stoves, or other apparatus (including amplifiers) that produce heat.
9. Protect the power cord from being walked on or pinched particularly at plugs, convenience receptacles, and the point where they exit from the apparatus.
10. Only use attachments/accessories specified by the manufacturer.
11. Use only with a cart, stand, tripod, bracket, or table specified by the manufacturer, or sold with the apparatus. When a cart is used, use caution when moving the cart/apparatus combination to avoid injury from tip-over.
12. Unplug this apparatus during lightning storms or when unused for long periods of time.
13. Refer all servicing to qualified service personnel. Servicing is required when the apparatus has been damaged in any way, such as power-supply cord or plug is damaged, liquid has been spilled or objects have fallen into the apparatus, the apparatus has been exposed to rain or moisture, does not operate normally, or has been dropped.
14. **WARNING:** To reduce the risk of fire or electric shock, do not expose this apparatus to rain or moisture. Do not place objects filled with liquid should be completely removed from the AC outlet socket.
15. The AC mains plug is used as the power disconnect device and it should remain readily accessible and operable during intended use. In order to completely disconnect the apparatus from power, the mains plug should be completely removed from the AC outlet socket.
16. **CAUTION:** To reduce the risk of fire or explosion, do not expose batteries to excessive heat such as sunshine, fire or other heat sources.



Specifications are subject to change without notice.

Please retain the instructions for further reference, as they contain important information.

## Troubleshooting Guide

Should this unit exhibit a problem, check the following before seeking service:

### No Power

- Power is not on; press the button to turn the unit on.
- The unit has no battery left. Charge the unit.
- Confirm that the USB jack is connected securely to the back of the unit.
- Connect the unit to a different outlet.
- The normal function of the product may be disturbed by strong Electro-Magnetic Interference. If so, simply restart the product to resume normal operation by following the instruction manual. In the event the function does not resume, please use the machine in another part of the home.

### No Sound – General

- Master Volume is set to minimum; raise volume.
- Cable connected to LINE IN jack. When a cable is connected, the Line in function is selected. Unplug to select Bluetooth.
- If using an external device, raise the volume.

### No sound from the microphone

- The wireless microphone has no battery left. Change the batteries.
- Make sure microphone is turned on.
- MIC VOLUME is set to minimum; raise volume.

### The Bluetooth device cannot be paired or connected with the unit

- You have not activated the Bluetooth function of your device; refer to the Bluetooth device user's manual.
- Ensure any other Bluetooth devices are turned off to avoid accidental pairing.
- The system is not in pairing mode; press the button to restart pairing.

### The Music is not available on the unit after successfully connecting the Bluetooth

- Ensure your Bluetooth device can support the A2DP Bluetooth profile.
- The volume on the external Bluetooth device is set to low or muted; raise as desired
- Make sure your music's application is open.

## Specifications

### AUDIO SECTION

Output Power (Maximum) ..... 5W (RMS)

### BLUETOOTH

Working Distance ..... Up to 33 feet/10 meters measured in open space

### CONNECTING JACKS

MICROPHONE ..... 6.3 mm Microphone Jack (1)

LINE IN SECTION ..... 3.5 mm Stereo Jack (1)

### GENERAL

Power ..... Type-C USB 5VDC, 1A

Dimension ..... 11.3 x 8.3 x 5.5 inches / 28.6 x 21 x 13.9 cm

Weight ..... 3.7 lbs/1.7 kgs

Wireless Microphone ..... 2.4GHz wireless Dynamic Microphone (2)

# Making the Connections

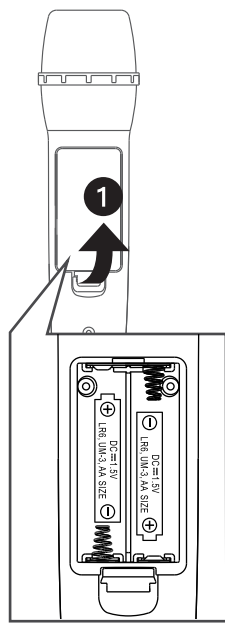
## BATTERY OPERATION FOR WIRELESS MICROPHONE

- 1 Slide the battery door in the direction of the arrow to reveal the battery compartment.
- 2 Replace the batteries with 2 x "AA" size/LR6 battery (not included).
- 3 Replace cover tightly before operating.

When the wireless microphone batteries are low the battery indicator will flash. Change the batteries as describe above.

### CAUTION:

- Replace all batteries at the same time.
- Do not mix old batteries with new batteries.



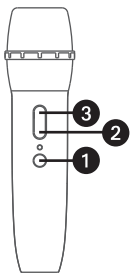
Press the **⏻/⌂** button to turn on the unit.

Press and hold the **⏻/⌂** button of the wireless microphone to turn on the microphone, the light will be solid.

Press the **🔊+** or **🔊-** button to adjust the volume of both wireless microphones.

### NOTES:

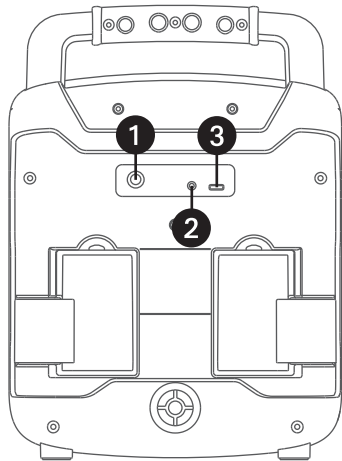
- Working distance of up to 66 feet/20 meters in open space.
- If there is no audio input for 20 minutes, the wireless mics connection will automatically turn off. Press the **⏻/⌂** button to reactivate the connection.



### Battery Precautions

The precautions below should be followed when using batteries in this device:

1. Use only the size and type of batteries specified.
2. Be sure to follow the correct polarity when installing the batteries as indicated in the battery compartment. Reversed batteries may cause damage to the device.
3. Do not mix different types of batteries together (e.g. Alkaline and Carbon Zinc) or old batteries with fresh ones.
4. If the device is not to be used for a long period of time, remove the batteries to prevent damage or injury from possible battery leakage.
5. Do not try to recharge batteries not intended to be recharged, they can overheat and rupture. (Follow battery manufacturer's directions.)
6. Rechargeable batteries are to be removed from the product before being charged.
7. Rechargeable batteries are only to be charged under adult supervision.
8. Exhausted batteries are to be removed from the product.
9. Batteries shall not be exposed to excessive heat such as sunshine, fire or the like.



Connect the wired microphone (not included) into Mic jack **1** (when desired).

**NOTE:** Maximum of three microphones (wired or wireless) can be connected to the unit at one time.

Connect the external unit to the AUX IN jack **2** on back of this unit. When connected, the Aux In function is automatically selected. You can also record and playback your singing and the music (see "Operation points 6 & 7" for details).

### NOTES:

- It is highly recommended to set the volume on the external unit to 1/3 or lower to avoid distortion.
- Skipping tracks is not possible to perform on this unit when using an external device.

### CONNECTING TO POWER

Insert the USB cable (included) into USB Type-C port **3** on rear of the unit. Plug the other end of the cable into computer USB port or other USB charging device (not included)

**NOTE:** When the unit is being hanged up and does not respond to any key function, please use a pin to press the reset button. (located inside the aux in jack) **2**.

### Energy Saving Mode (Auto Power System-APS)

This unit will automatically turn off after 20 minutes of inactivity. To resume use of the unit press the **⏻/⌂** button. APS is for energy saving purposes.

# Operation

**1** Press the **⏻/⌂** button to turn the unit on. When the unit is turned on, the Light mode 1 is automatically activated. The lights will light up and will synchronize with the sound when you speak or sing into the microphone.

Press the **⏻/⌂** button for Light mode 2 which will display the light show but will not respond to the microphone.

Press the **⏻/⌂** button once again to turn off the Lights.

Press and hold the **⏻/⌂** button to turn the unit off.

**2** Press the **🔊▲** or **🔊▼** (VOICE EFFECTS) button to select different vocal effect, the mic guy icon light will change for a few seconds:

- |                        |                      |                      |
|------------------------|----------------------|----------------------|
| Purple light - ECHO;   | Pink light - FEMALE; | Orange light - MALE; |
| Lime light - CHIPMUNK; | Cyan light - ROBOT;  | Blue light - RADIO   |

Select white (NONE) to sing without any voice effect.

**3** Press the **🔊+** or **🔊-** button on the unit. Increasing this control will increase the volume of both microphones.

**4** When the unit is turned on and the cable is not connected to the AUX IN jack, the unit will automatically search for and pair with a previously paired Bluetooth device (if previously paired). If no previously paired devices are present, press the **🔗** button to disconnect any paired devices in order to pair another device.

Turn on your device's Bluetooth option in settings to search for a discoverable device with a Bluetooth signal. Select "SINGING MACHINE" from the device results on the Bluetooth menu.

### NOTES:

- Also refer to the user manual of your Bluetooth device for detailed instructions.
- If your Bluetooth prompts you for a passcode during the pairing process, please enter "0000" to connect.
- On some Bluetooth devices, once pairing is completed, select your Bluetooth device as "Use as Audio Device" or similar.
- If connection is lost after successful pairing, check to make sure the distance between speaker and Bluetooth-enabled device does not exceed 30 feet/10 meters.

The light will turn solid and a chime will sound indicating pairing was successful.

**5** To sing without the lead singer on the recording, press the **VOCALS OFF** button. To resume the lead singer, press the **VOCALS OFF** button again.

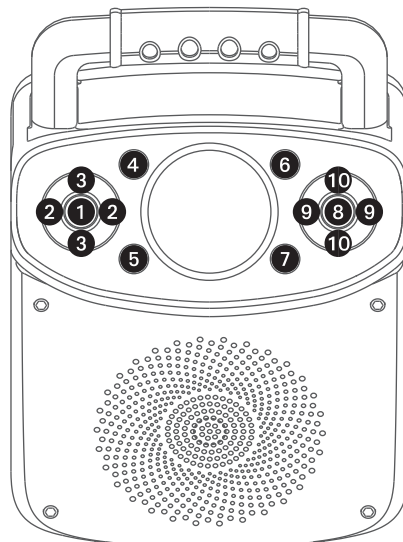
**NOTE:** The Vocal off function might not work perfectly. It is song dependent.

**6** During music playback, press the **RECORD** button to record your singing and the music, the mic guy icon will flash red. You can press the **RECORD** button again to stop recording, the red light will turn off.

This unit is able to record for 260 seconds. It will stop recording automatically after 260 seconds and the record indicator will turn off.

### NOTES:

- Please note that each time when a new recording is being recorded, the existing recording will be deleted.
- The volume of your singing is affected by the volume setting. Do not record if the volume is set to minimum.



**7** To playback your voice recording, you can press the **RECORD PLAYBACK** button; the mic guy icon will turn solid red. Press again to stop. Press and hold to clear the recording.

**8** To control your Bluetooth device from this unit, press the **▶▶** button to start playback (music app must be open). Press the **▶▶** button during playback to pause the song.

**9** In Bluetooth mode, press the button **◀◀** or **▶▶** to advance or go back one track.

**10** Adjust the volume to a comfortable level using the **🔊-** or **🔊+** button on this unit as well as the volume on your Bluetooth device.



The Bluetooth® word mark and logos are registered trademarks owned by Bluetooth SIG, Inc. and any use of such marks and logos by The Singing Machine Company, Inc. is under license. Other trademarks and trade names are those of their respective owners.

The Responsible Party  
 Company Name : The Singing Machine Company, Inc.  
 Address : 6301 NW 5th Way, Suite 2900,  
 Fort Lauderdale, FL33309, USA  
 Telephone : 1-866-670-6888  
 Website : www.singingmachine.com