

A PATIO HEATER LIKE NO OTHER



DANGER

If you smell gas:

1. Shut off gas to appliance.
2. Extinguish any open flame.
3. If odor continues, keep away from the appliance and immediately call your gas supplier or fire department.

WARNING:

Do not store or use gasoline or other flammable vapors and liquids in the vicinity of this or any other appliance.

An LP Cylinder not connected for use shall not be stored in the vicinity of this or any other appliance.

WARNING:

Improper installation, adjustment, alteration, service or maintenance can cause injury, death or property damage. Read the installation, operating and maintenance instructions thoroughly before installing or servicing this equipment.

WARNING: *FOR OUTDOOR USE ONLY*

Please retain these instructions for future reference.

IMPORTANT:

The installer must leave these instructions with the owner.

Only those who are certified to do so should perform service on these heaters.

DANGER



CARBON MONOXIDE HAZARD

This appliance can produce carbon monoxide which has no odor.

Using it in an enclosed space can kill you.

Never use this appliance in an enclosed space such as a camper, tent or home.

INDEX

Caution and General Safety	3
Applicable Regulations.....	5
Location Planning	6
Safety Requirements.....	6
Specifications / Details.....	7
Equipment Dimensions	7
LP-Gas Cylinder Compatibility.....	7
Gas & Power Specifications.....	7
Clearance to Combustible Materials	8
Installation Instructions	9
Shipping Crate Contents.....	9
Assembly of Outdoor Patio Heater	11
Connecting the LP-Gas Supply	15
Position / Move the Heater.....	17
Secure the Heater.....	18
Leak Test Method.....	19
Testing / Commissioning	20
Operating Instructions	21
Lighting	21
Shut Down.....	21
Operating Instructions	22
Replacing The Battery.....	22
Maintenance and Trouble Shooting	23
Maintenance	23
Replacement Parts	24
Functional Wiring Diagram.....	25
Care and Cleaning of Stainless Steel Patio Heater.....	26
Parts Reference.....	27
Warranty	29

Caution and General Safety

CAUTION: FIRE OR BURN INJURY HAZARD

WARNING: Do not install or place on a table or on an inclined surface, make sure the installation surface is level before installing the heater.

- **Assembly & Installation will require the efforts of Two individuals, it is not recommended for only One Person to attempt complete assembly of the Heater.**
- At all times maintain clearance to combustible materials as further specified in this manual. Failure to do so can result in serious fire hazard.
- Never operate Heaters in atmosphere containing flammable vapours or combustible dusts.
- This Heater is equipped with an electronic ignition device. Do not attempt to light the burner by hand. Failure to comply can result in a serious fire and personal injury hazard.
- Appliance surfaces, other than the obvious flame and emitter surfaces, attain elevated temperatures during operation. **Do not touch** the heater head during operation.
- Certain materials, when stored under this Heater are subjected to radiant heat can soften, distort or otherwise be damaged, special care should be taken of plastic materials
- **Children and adults should be alerted to the hazards of high surface temperatures and should stay away to avoid burns or clothing ignition.**
- **Young children should be supervised when they are in the area of the heater.** Playing or running around the structure should be strictly forbidden.
- **Clothing or other flammable materials should not be hung from the heater, or placed on or near the heater.**
- **Any guard or other protective device removed for servicing the heater must be replaced prior to operating the heater.** Replacement pressure regulators and hose assemblies must be those specified by the manufacturer.
- **Installation and repair should be done by a qualified / certified service person. The heater should be inspected before use and at least annually by qualified service person.** (Service person must be 'Certified' by the local / national regulating body).
- Frequent cleaning may be required. It is imperative that Burners and circulating air passageways of the heater be kept clean of debris, dust and insects.
- Cleaning of the appliance should only be done with non-combustible and non-corrosive cleaning agents. **DO NOT** alter the heater in **any** way; this includes shortening the pole or removing the Base Body cover or Top Reflector.

Caution and General Safety

- NEVER paint the Burner, Emitter, Shield Support Arms or the Reflector.
- The visible portion of the Hose Assembly must be visually inspected before each use. If there is evidence of excessive abrasion or wear, or if the hose is damaged the hose assembly must be replaced prior to the appliance being put into operation.
- This appliance shall be used only in a well-ventilated area/space and shall not be used in a building, garages or any other enclosed area.
- Never go over connections looking for leaks with a lighted match, cigarette lighter, or any other flame.
- Perform the Leak Test before initial lighting and when connecting a new LP-Gas Cylinder. A complete gas tightness check must be performed at the installation on site due to possible miss handling in shipment or excessive pressure being applied to the heater.
- Turn OFF LP-Gas Cylinder when Heater is not in use.
- **Once the Heater has been shut-down there shall be a 5-minute complete shutoff period before the Heater is re-lighted.**
- Ensure the LP-Gas Cylinder is turned OFF and disconnected prior to moving the Heater.
- Storage of a Heater indoors is permissible only if the LP-Gas Cylinder is disconnected and removed from the Heater.
- Use caution when moving the Heater, it may require two people to safely manoeuvre depending on the strength / size of the person(s). Handle ONLY the Pole or Base Body when moving the Heater, handling other components may result in damage and/or injury.

LP-Gas Cylinder Caution and Safety

- Do not store a spare LP gas cylinder under or near this appliance.
- Never fill the Cylinder beyond 80 percent full.
- Keep Cylinders upright at all times, even during storage and transport.
- The pressure regulator and hose assembly **supplied** with the Heater must be used, or the replacement Hose Assembly **shall be** that specified by the manufacturer.
- LP-Gas Cylinders must be stored outdoors in a well-ventilated area out of the reach of children. A disconnected cylinder must have dust caps tightly installed and must not be stored in a building, garage or any other enclosed area. Ensure the storage area meets all local fire & safety requirements.

Applicable Regulations

- Installation must comply with local building codes or, in their absence, the latest edition of the applicable national codes: USA - National Fuel Gas Code, ANSI Z 223.1 (NFPA 54), Canada - National Gas and Propane Installation Code, CAN/CGA B149.1.
- Use and Storage of this heater must comply with local codes or, in their absence, the latest edition of the applicable national codes: USA – Standard for Storage and Handling of Liquefied Petroleum Gases, Chapter 5 of ANSI/NFPA 58, Canada - Propane Storage and Handling Code, CAN/CSA-B149.2.
- This heater, when installed, must be electrically grounded in accordance with local codes or, in their absence, with the latest edition of the National Electrical Code, ANSI/NFPA 70, or the Canadian Electrical Code, CSA C22.1.
- For use **ONLY** with **20#** LP-Gas Cylinders (with a **maximum capacity of 8kg [20lb]**) constructed and marked in accordance with national codes: USA - U.S. Department of Transportation (“DOT” approved), Canada: Standard for Cylinders, Spheres and Tubes for Transportation of Dangerous Goods and Commission, CAN/CSA-B339 (“TC” approved).

Ensure Cylinders are:

- Provided with a permanent collar to protect the valve stem;
- Provided with a listed overfilling prevention device (OPD);
- Provided with a dust cap to cover the valve connection when not in use; (Only install the type of dust cap on the cylinder valve that is provided with the cylinder valve, other types of cap plugs may result in leakage of propane); and
- Provided with a cylinder connection device compatible with a **QCC1 connection** (Quick Connect Coupling).

Installation or repair of this heater should only be done by personnel qualified for the installation of powered gas appliances.
(Certified by the local or national regulating body)

Location Planning

One Patio heater, at high fire and in windless conditions, has a comfort radius of about twelve feet (24 ft. diameter circle).

A series of heaters providing area heat should be placed about 14-20 feet apart.

Wind protection has an important influence on the body's ability to retain radiant heat. Use natural or newly built wind barriers where possible, such as existing buildings, shrubbery or tree lines and fences

WARNING!

This heater is NOT approved for any indoor Residential application. If in doubt of your application consult with your local fire marshal or gas authority having jurisdiction. Indoor spaces include but are not limited to attached garages, solariums, living quarters etc.

An appliance may be installed with shelter no more inclusive than:

1. With walls on all sides, but with no overhead cover.
2. Within a partial enclosure which includes an overhead cover and no more than two side walls. These side walls may be parallel, as in a breezeway, or at right angles to each other.
3. Within a partial enclosure which includes an overhead cover and three side walls, as long as 30 percent or more of the horizontal periphery of the enclosure is permanently open.

A patio that has been almost entirely closed in with a roof and windbreak walls or a tent may be considered an indoor location by some code authorities. Refer to the National Fuel Gas Code, ANSI z.223.1 (NFPA 54) in the US and CAN/CGA B149.1 and 149.2 installation codes in Canada.

Safety Requirements

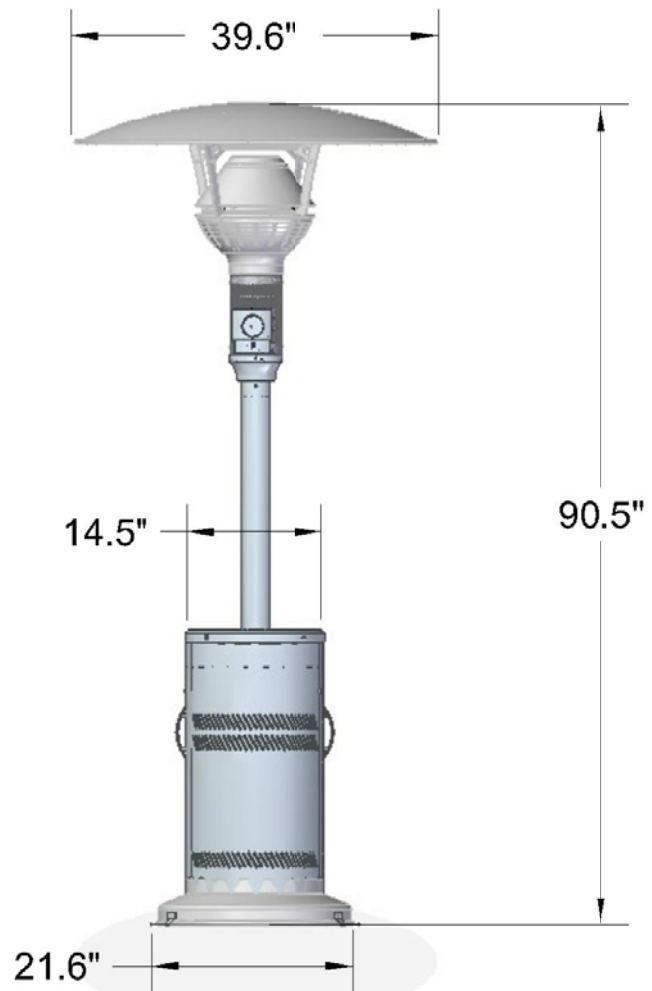
1. Never locate the heater directly below electrical lines, gas lines or sprinkler systems.

NOTE: Sprinkler head heat fuse link performance may alter with age.

2. Do not locate heater too close to vinyl or plastic wall coverings. These materials may discolour or soften well before they reach combustible limits.
3. The heater requires a minimum clearance from of combustible materials. See the Specifications / Details
4. Clearance to Combustible Materials information found in the Specifications / Details section.
5. Always allow room for removal of the Top Reflector and Burner head for maintenance purposes.
6. The heater aspirates (needs) air for combustion. Do not locate heater where there are severe draft conditions or airflow restrictions to the Burner head of the heater.

Equipment Dimensions

Floor Mount Model # *GA201M2*



LP-Gas Cylinder Compatibility

To be used **ONLY with 20 lb LP-Gas Cylinders** with a **maximum capacity of 8kg (20 lb)** which meet the criteria described in the Applicable Regulations section of this manual.

The Cylinder and its connector fittings must be maintained in good condition.

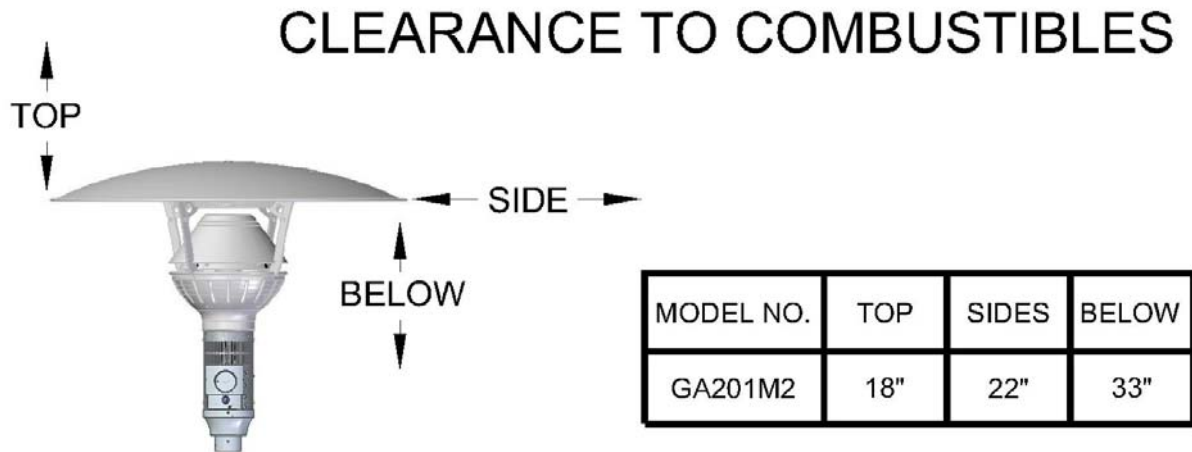
Gas & Power Specifications

Maximum Fire Rate:	46,000 BTU/hr
Gas Manifold Pressure:	9.8" W.C.
Ignitor Electric Supply:	One (1) "AA" Battery
Maximum Inlet Gas Supply Pressure:	250psi

Specifications / Details

Clearance to Combustible Materials

The following clearance data is based on a maximum limit of 90°F (32 °C) plus ambient temperature. **Note with an ambient temperature of 70°F the surface temperatures at the clearance distances listed below could reach 160°F. Care should be taken with placement of plastic or vinyl in the proximity of the heater as they tend to distort and soften at these temperatures.**



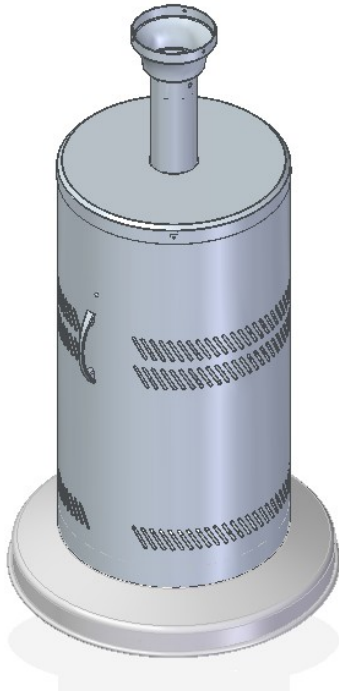
Combustible materials are considered to be wood, compressed paper, plant fibres, plastic, Plexiglas or other materials capable of being ignited and burned. Such materials shall be considered combustible even through flame-proofed, fire-retardant treated or plastered.

Additional clearance may be required for glass, painted surfaces and other materials which may be damaged by radiant or convection heat.

NOTE: Some materials deteriorate or soften at sustained temperatures below 160°F.
Consult material manufacturer for recommendations

The Installer is responsible to ensure that building materials with a low heat tolerance which may degrade at higher temperatures are protected to prevent degradation.

Shipping Crate Contents



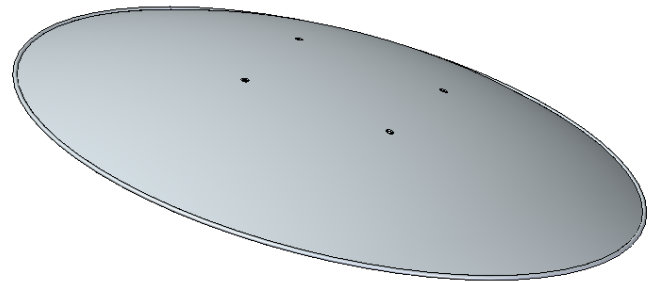
Base Body, Base Cover, Pole & Counterweight



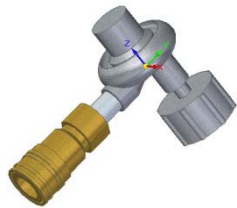
Heater Head Assembly



Wheels



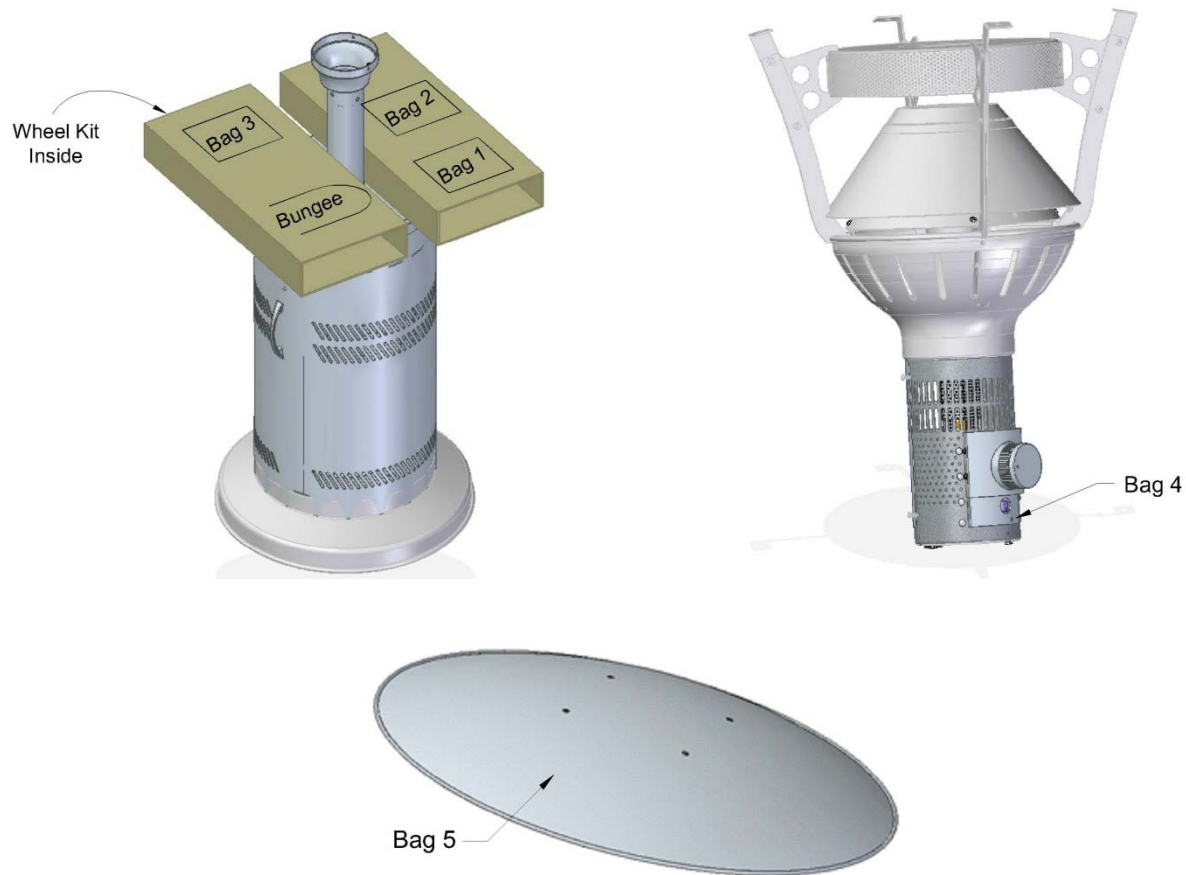
Reflector



Regulator w/ Quick Connect

Installation Instructions

Hardware Kits:



Contents:

Bags 1, 2, and 3 will be taped to the internal packaging of the base body. Bag 4 is zip tied to Head assembly and Bag 5 will be taped to the reflector.

Bag 1 = 8-32 x 3/8" Button Socket (x4)

Bag 2 = A. 3/8" – 16 S.S Nylon Lock Nuts (x6) B. 3/8" S.S Washers (x6)

Bag 3 = A. 1/4" – 20 x 1/2" S.S Button Sock (x6) B. 1/4" – 20 S.S Nylon Lock Nuts (x6)

C. Hold Down Bracket (x3)

Bungee = 15" Bungee Cord

Wheel Kit = A. Wheel Assembly B. 1/4" – 20 x 1/2" S.S Button Sock (x2)

C. 1/4" – 20 S.S Nylon Lock Nuts (x2)

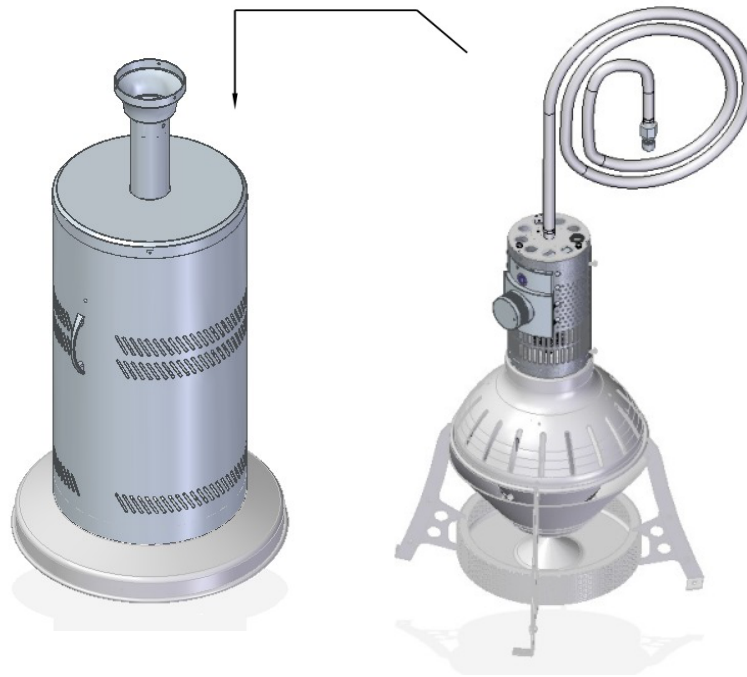
Bag 4 = #10 – 24 Socket Head Screw (x3)

Bag 5 = A. 1/4"-20 x 1/2" S.S Carriage Bolt (x4) B. 1/4" Washer S.S (x4) C. 1/4"-20 Acorn Nut (x4)

Installation Instructions

Assembly of Outdoor Patio Heater

1. Disassemble shipped parts and separate the hardware packages. Start with the heater base unit and heater head assembly as shown below.
2. Insert the gas supply hose into the pole neck. The hose will slide down the pole until the head assembly sits in the pole neck.



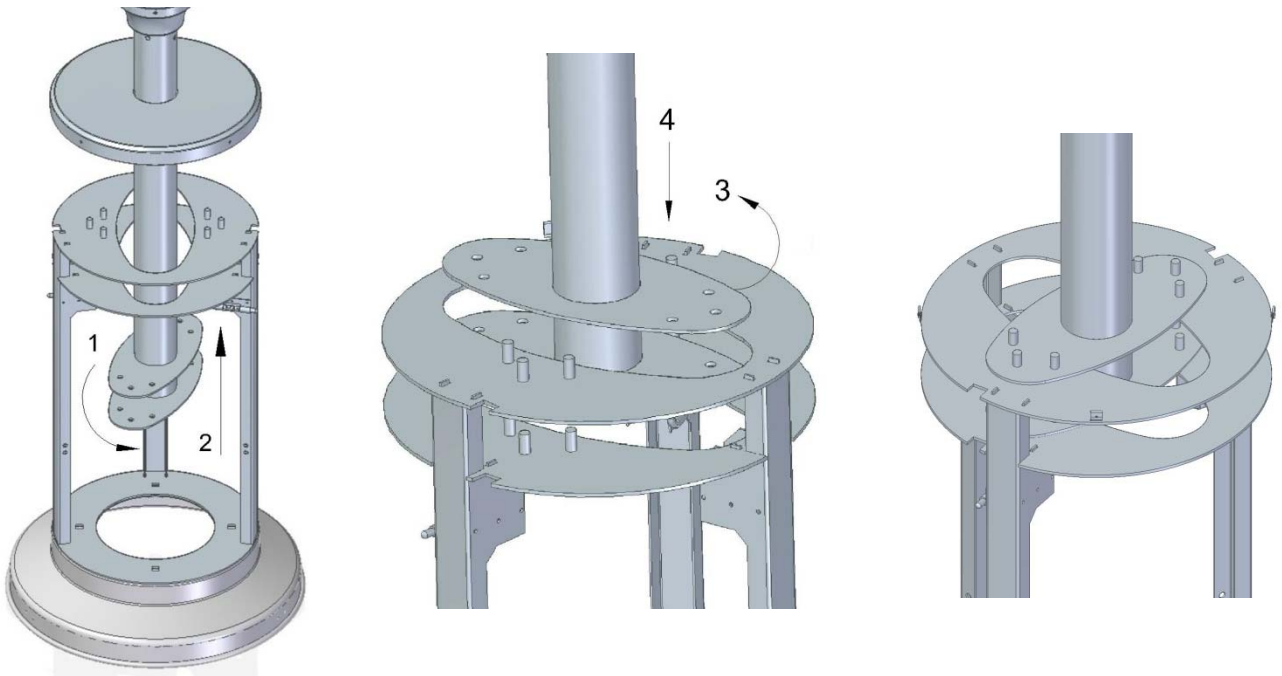
3. Rotate the head assembly so the front control knob is facing the coloured sticker on the pole neck as shown below.



Installation Instructions

4. Use the contents in Bag 4 (#10 – 24 Socket Head Screw) to secure the head assembly to the pole assembly (3 screws). ****Remove the colored sticker after securing****
5. Please refer to the illustrations below for clarity in this step. Lift the pole assembly with the head now attached, upwards. The housing top cover will come with it as there is packing underneath to hold the top cover in place while you lift the up the pole. Rotate the pole so that the mounting flanges almost line up with the cutouts on the base plates. Once the top mounting flange is above the surface, rotate the pole so the holes line up with the treaded bolts. Lower the pole assembly onto the bolts so they come up through the holes on the mounting flange. Make sure the front of the heater is facing the eVENGLO faceplate on the front of the base.

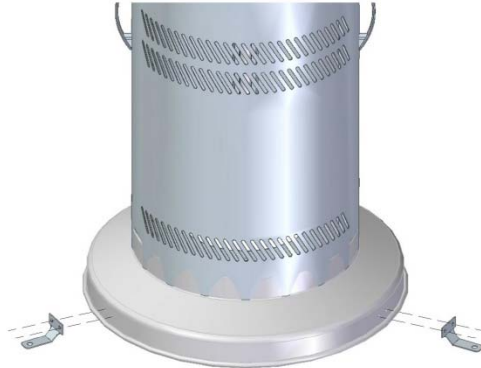
Note: Housing Cover not shown below for ease of illustration.



6. Take the contents out of Bag 2. Slip the washers on the threaded bolts (6). Secure pole assembly by threading the lock nuts onto the threaded bolts and tighten down with wrench or socket.
7. Carefully take off the packaging holding the housing top cover up the pole. Carefully slide the top cover down the pole covering the pole-mounting flange and hardware. Use the contents of Bag 1 (#8-32 x 3/8") to secure the cover to the base body in 4 places.

Installation Instructions

8. Open Bag 3. Take the three Hold Down Brackets and locate the mounting holes located at the bottom of the Main Base as shown below. (only 2 shown below, third is around the back)



9. Insert the bolts supplied in Bag 3 (1/4"-20 x 1/2") into the Hold Down Bracket and then into the Main Base mounting holes. Tip heater slightly so you can secure the brackets with the nuts supplied by reaching underneath the lip. Tighten the nuts flush with inside surface.
10. Locate the Wheel Kit. Open the packaging and take the wheel assembly and the hardware provided out. Locate the two mounting holes on the Main Base, line up the wheel assembly as shown below. Insert both bolts into the matching set of mounting holes. Tip the heater slightly to be able to thread on the Nylon Nuts provided underneath the Main Base. Tighten the nuts until the wheel assembly is secure.



Installation Instructions

11. Locate the reflector and Bag 5. Install the Top Reflector onto the Shield Support Arms of the Burner using the four (4) 1/4"-20 x 1/2" carriage bolts with nuts provided. Insert the screws up through the Shield Support Arms and then through the Top Reflector. Secure each bolt with a nut on top of the Reflector. Make sure to remove (or peel off) the plastic covering on the reflector before assembly.



Warning:

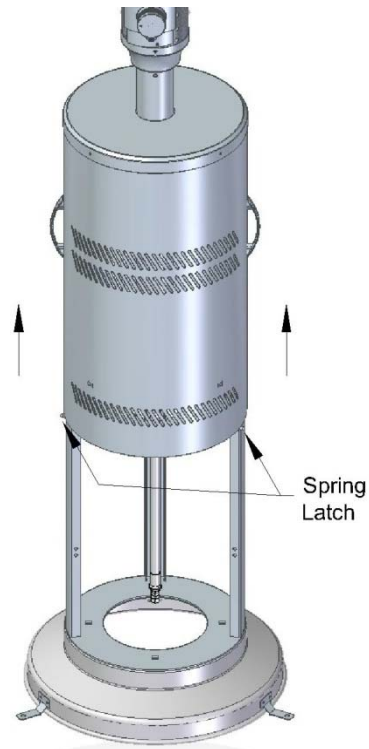
This heater is equipped with a tilt / tip switch for your safety. This heater will shut the gas valve if it is tipped or tilted.

This heater will not operate at an inclined position. Ensure the heater is in the upright position, and should not be positioned on an incline.

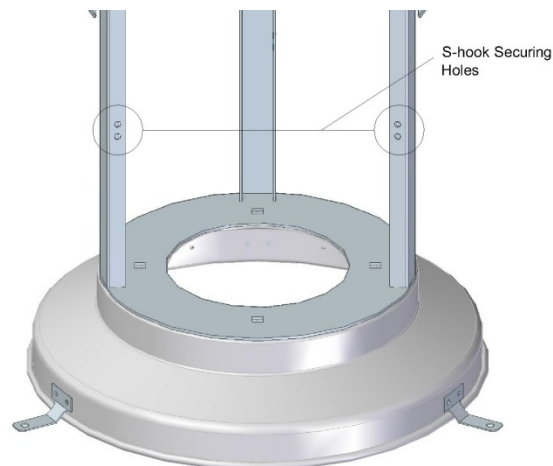
Your Patio heater is now assembled and is ready to connect to your LP-Gas Supply Cylinder.

Connecting the LP-Gas Supply

1. Lift the Main Housing Cover up by the handles until the bottom lip is clear of the 3 spring latches as shown below.

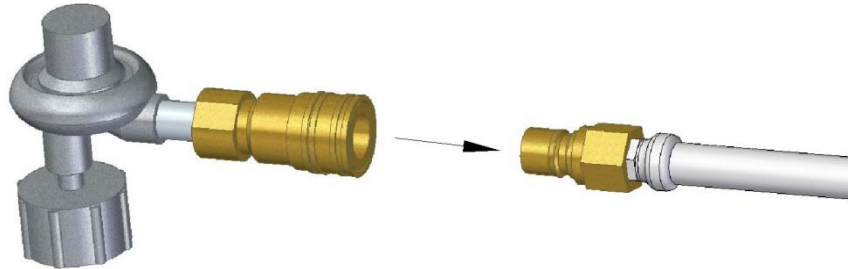


2. Secure the LP-Gas Cylinder to the Base using the Bungee cord. Hook one side of the Bungee to the mounting holes on either the right side or left as shown below. Make sure the LP-Gas cylinder is in the upright position. Feed Bungee through the handle of the LP cylinder, then hook the Bungee on the other set of securing holes.

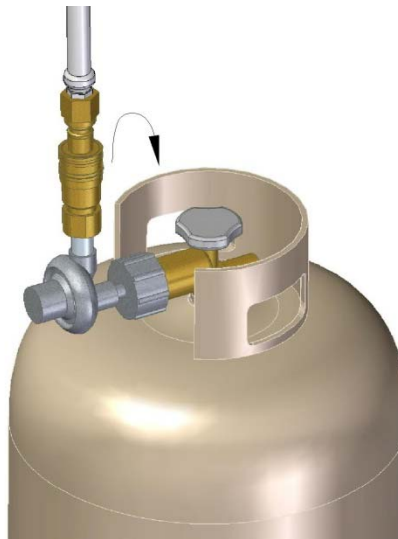


Installation Instructions

3. Locate the regulator assembly. Look over the assembly to make sure no damage has occurred during shipping of handling. Attach the regulator assembly to the male quick connect on the fuel supply hose as shown below.



4. Secure the Gas Hose Regulator onto the LP-Gas Cylinder valve by turning the Regulator clockwise until tight. Push the 3 spring latches that are holding the Main Housing Cover in place inwards, one hand holding the bottom lip of the Main Housing Cover and one pushing the latches one at a time. Be careful of the bottom edge of the Main Housing as it is sharp.



Before using the patio heater:

- Perform a leak test to make sure Regulator connection does not have leaks..
- **Move** Heater to desired location.
- **Secure** the Base Body to the floor.

Position / Move the Heater

1. Ensure the LP-Gas Cylinder is turned **OFF**, secured and disconnected from the Gas Hose prior to moving the Heater.
2. Ensure Wheels are properly connected to the Base Body. (Refer to Installation Step 10.)
3. **Move the Heater by handling ONLY the Pole or the Base Body.** It may take two people to manoeuvre the Heater safely depending on the size / strength of the person(s).
4. Tip the Heater backwards at an angle to / overtop of the wheels until Base no longer touches the ground. Wheel / roll Heater to the desired new location and return Base to ground. Ensure Heater is on level ground and stable in new location.
5. If the Heater is going to be operated at the new location, the “Testing / Commissioning”
6. ” procedure must be completed

Installation Instructions

Secure the Heater

1. Ensure that the Hold Down Brackets are properly installed as described in Installation Step 8.
2. The type of Foundation Fastener required depends on the type of Floor / Ground that the Heater is located on. Prepare the Floor / Ground as detailed in Table A at all three bracket locations. (Ensure that alignment with the connecting hole(s) of the Base Bracket is maintained.)

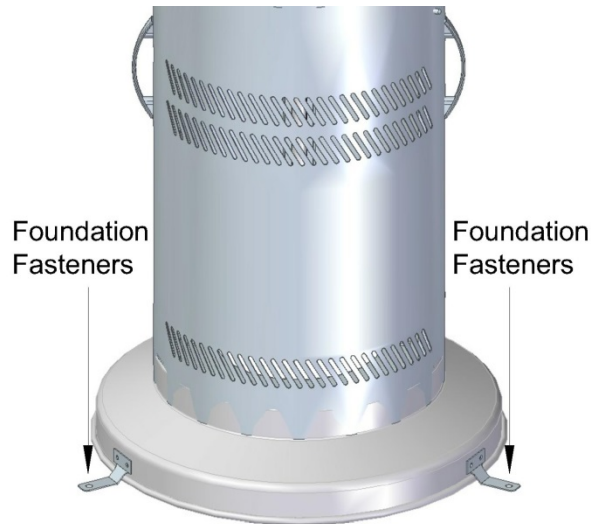


Table A: Methods for Securing Heater to Floor / Ground

Floor / Ground Type	Foundation Fastener Type & Size	Mounting Method Summary	Floor / Ground Preparation
Concrete	Concrete Anchor Ø5/16" x 2 1/2"	Place Anchors into pilot holes aligned with Base Brackets - tap / hammer lightly, screw fastener into anchor	Drill 3 - Pilot Holes Pilot hole drill size: Concrete = 9/16"
Wood Deck	Wood Screw #10 x 1 1/2"	Secure using Wood Screws in pilot holes aligned with Base Brackets	Drill 3 - Pilot Holes Pilot hole drill size: Hardwood = 7/64" Softwood = 3/32"

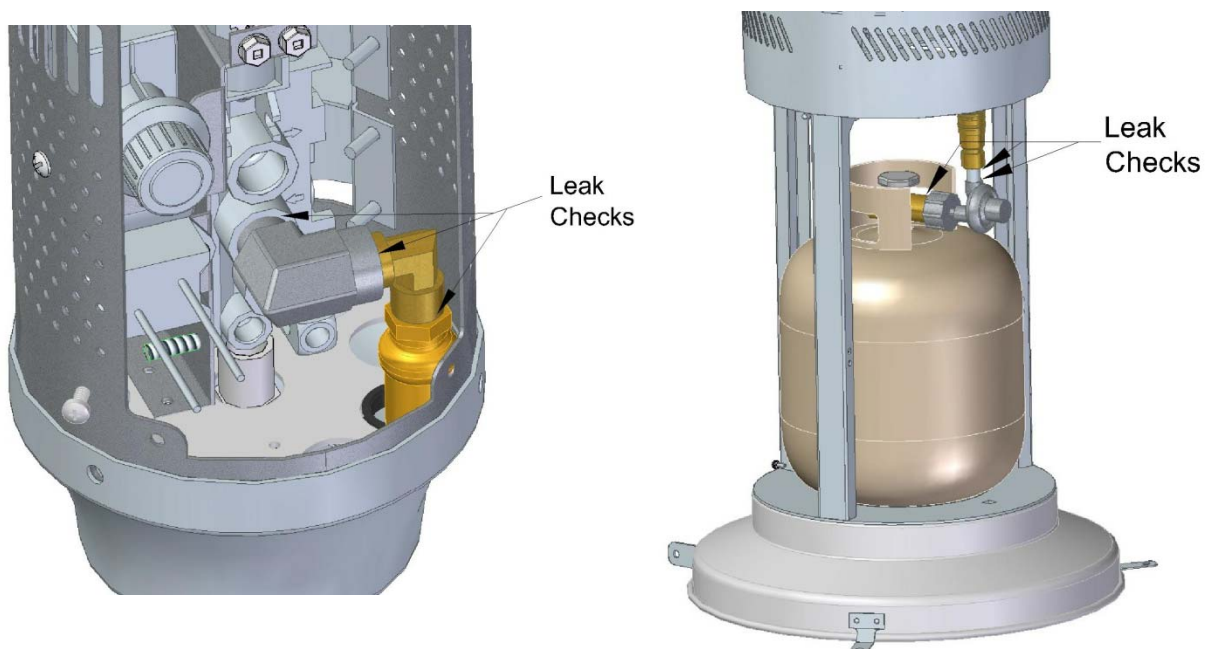
Leak Test Method

Never go over connections looking for leaks with a lighted match, cigarette lighter, or any other flame.

Perform the Leak Test before initial lighting and when connecting a new LP-Gas Cylinder. A complete gas tightness check must be performed at the installation on site due to possible miss handling in shipment or excessive pressure being applied to the heater.

1. Make up a dish of soap and water solution of one part liquid detergent and one part water.
2. Spread the soap and water solution over the hose connections with a spray bottle, a small paintbrush or a rag.
3. With the heater shut OFF, turn the cylinder valve ON. Check the connections at the LP-Cylinder.
4. Take off the Housing Service Cover (shown below). Check the gas line attachment points to the valve.
5. Any leaks will result in bubbles forming in the solution. If a leak is detected, shut OFF the cylinder valve.
6. Repair any leak by tightening leaking parts. (The replacement Gas Hose Assembly shall be as specified by the manufacturer.)
7. Repeat steps 1, 2, and 3 until no leaks are detected at all hose connection locations as shown below.

If you cannot stop the leaks, shut OFF the supply valve on the LP-Gas Cylinder and disconnect the cylinder from the heater. Place the heater OUT OF SERVICE and consult a certified service person.



Testing / Commissioning

After passing the Leak Test your patio heater is now ready for use.

Caution:

Heater will produce smoke the first time it is lit. This is normal. Make sure NOT to light the heater in an enclosed area.

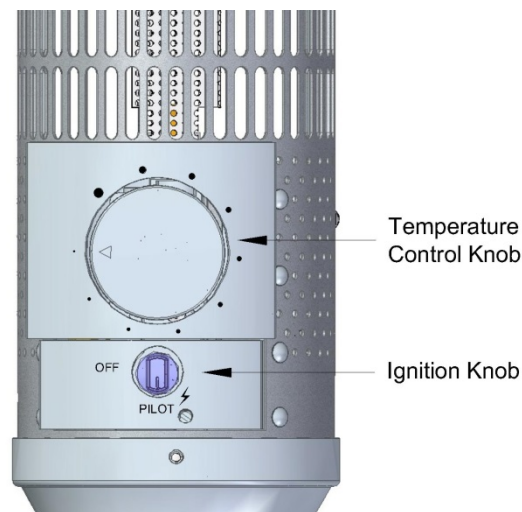
Make sure all protective plastic has been removed from all surfaces before lighting.

Operating Instructions

Follow all Caution and General Safety rules at all times before / during use.

Lighting

1. Open the LP cylinder valve.
2. Push and turn the ignition knob counter-clockwise from the OFF position to the PILOT position **lightning symbol**. To start the gas flow and sparking, push the knob inwards. **Keep pressing until the pilot is lit and stays lit (for approximately 30 seconds to heat up the thermocouple) and then release the pressure from the knob.** If you have warmed up the thermocouple enough, when you release the pressure from the ignition knob the main burner will automatically light. If it does not, try igniting the pilot again but waiting a longer interval before releasing knob.
3. **Note: When using the heater with a fresh fuel supply, pilot may take some time to light the pilot because the line needs to purge all of the air out in the line first.**
4. Adjust the heat output by rotating the Temperature Control Knob counterclockwise to increase output, clockwise to lower the output.



Caution:

Heater will produce smoke the first time it is lit. This is normal. Make sure NOT to light the heater in an enclosed area.

Shut Down

1. Turn the ignition knob clockwise into the OFF position to turn off the gas flow and extinguish the burner flame.
2. Turn propane tank gas valve clockwise to 'OFF' position when heater is not in use.



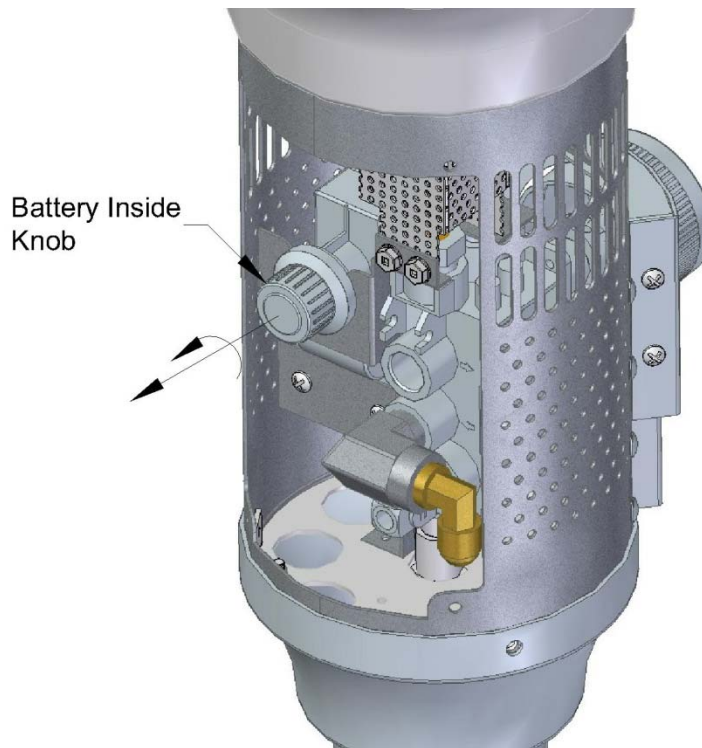
WARNING:

Improper Lighting, Shutting Down can cause injury, death or property damage. Read the Lighting and Shutting Down instructions thoroughly before operating or servicing this equipment.

Operating Instructions

Replacing The Battery

1. Remove the Housing Service Cover to access Ignitor Module Knob.
2. Turn Ignitor Module Knob counter clockwise to unscrew it.
3. Pull out battery while taking note polarity orientation. (+ -)
4. Replace battery and screw Knob back into place.
5. Test spark by going to the front of the heater and pressing Ignition Knob in the pilot position.
6. Replace the Housing Service Cover.



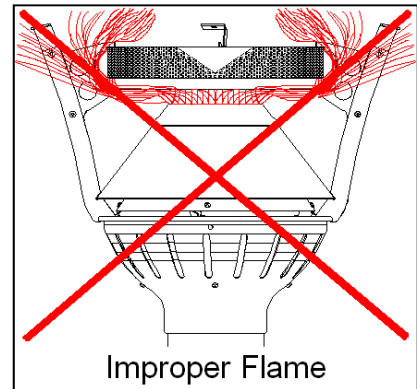
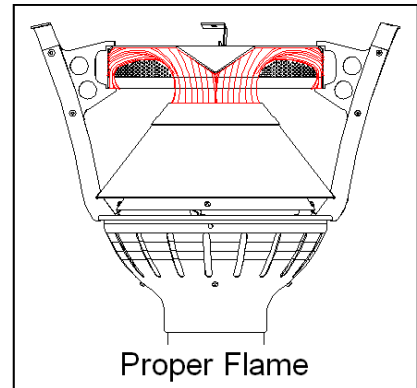
Maintenance and Trouble Shooting

Maintenance

- * **Follow Caution and General Safety rules at all times before / during use.**
- * **Before performing ANY service to the heater, shut off the gas supply,** disconnect the regulator from the LP-Gas Cylinder and remove the battery from the ignitor module.
- * **If any maintenance issues are found place the heater OUT OF SERVICE until it has been repaired by a certified service person.** Use only manufacturer recommended replacement parts.

Daily Inspections:

1. Keep the appliance area clean and free from combustible materials, gasoline and other flammable vapors and liquids.
2. The visible portion of the Gas Hose must be visually inspected before each use. If there is evidence of excessive abrasion or wear, or if the hose is damaged the hose assembly must be replaced prior to the appliance being put into operation.
3. Keep the ventilation opening(s) of the cylinder enclosure free and clear from debris and cobwebs.
4. Visually check the Burner flame pattern during use. A **“Proper Flame”** should resemble image on right.
5. If at any time flames extend beyond the emitter surface (see image to the right below **“Improper Flame”**) or black soot is found on the inside of the reflector **TURN OFF** the heater immediately and place **OUT OF SERVICE** until repairs are made.
6. Clean the appliance, if necessary, with non-combustible and non-corrosive cleaning agents. Ensure control compartment (ignition module), burners & circulating air passageways are kept clean of dust, insects, cobwebs and other debris.



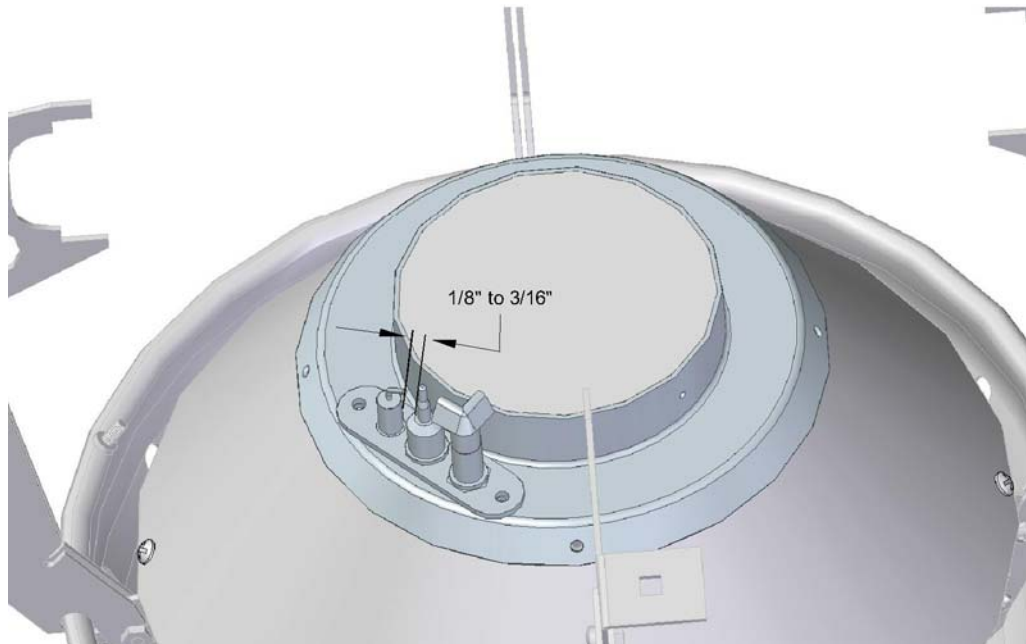
Annual Inspections:

1. Inspect and Leak Test entire Gas Hose Assembly for damage, excessive abrasion, wear and leaks:
 - a. Ensure burner is cool to touch and supported while disassembling.
 - b. Disassemble the Burner from the Pole by removing the three (3) screws in the Pole Neck.
 - c. Remove the Gas Hose Assembly from the Pole to inspect and Leak Test **the entire hose and all connections.** Repair / replace as required.
2. Check condition of the Burner, especially the integrity of the flame screen.
3. Inspect condition of spark and sense electrode. Check for cracks in ceramic insulators or excessive corrosion.
4. Inspect condition of high tension lead to spark rod

Maintenance and Trouble Shooting

Trouble Shooting

1. No gas supply at burner:
 - Ensure manual shut off valve is in proper position
 - Ensure there is pressure and flow at inlet to gas valve.
 - Ensure LP-Gas Cylinder has fuel in it.
2. No spark:
 - Ensure battery in ignition module is operating.
 - Ensure spark electrode assembly is grounded and there are no cracks in ceramic insulator.
 - Ensure the gap (spark gap) between Pilot and Spark Ignitor electrode is 1/8" – 3/16" (3mm – 4.5mm) as per picture below.



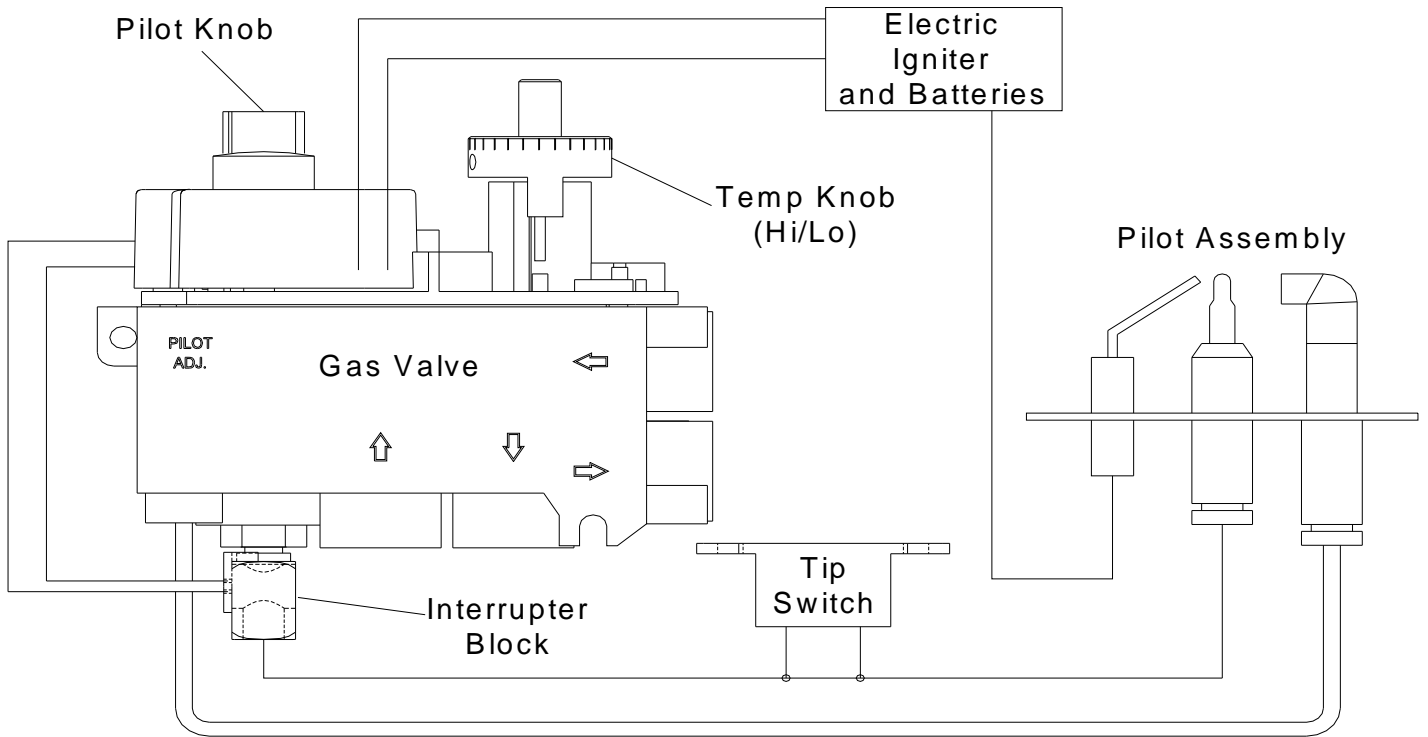
3. Flame lights but will not stay lit:
 - Be sure to hold knob in for one minute or longer to allow sensor to get hot.
 - Ensure there is no overpowering wind.
 - Ensure sense electrode is not corroded, is not grounded or has a cracked insulator.

Replacement Parts

- Use only manufacturer recommended replacement parts.
- For a complete list of replacement parts contact your dealer.

Maintenance and Trouble Shooting

Functional Wiring Diagram



Maintenance and Trouble Shooting

Care and Cleaning of Stainless Steel Patio Heater

Stainless steel is protected from corrosion by a thin layer of chromium oxide. This happens when oxygen from the atmosphere (air) combines with the chromium in the stainless steel to form this layer of chromium oxide. This passive film or layer protects the stainless steel from further corrosion.

Stainless steel is easily cleaned by many different methods.

General Rules for Cleaning Stainless Steel.

1. Handle stainless steel with clean gloves or cloths to guard against stains of finger marks.
2. Avoid the use of oily rags or greasy cloths when wiping the surface.
3. Do routine cleaning of exposed surfaces.
4. Where possible, after cleaning, rinse thoroughly with water.
5. Cleaning with detergents containing Chloride must be AVOIDED.
6. Rubbing or wiping should be done in the directions of the polish lines, NOT across them.
7. Do Not use solvents in closed spaces or while the heater is running or smoking.

Methods to clean Surface Contamination:

Dirt:

Dirt and soil can consist of accumulated dust and a variety of contaminants that come from many sources, ranging from the wind to everyday use. Some may be easily removed, while others may require specific cleaners.

- Frequently, warm water with or without a gentle detergent is sufficient.
- Next in order, mild non-scratching abrasive powders such as typical household cleaners. These can be used with warm water, bristle brushes, sponges or clean cloths. DO NOT USE ordinary carbon steel brushes or steel wool.
- Next in order, for more aggressive cleaning, a small amount of vinegar can be added to the scouring powder.

Cleaning should always be followed by rinsing with CLEAN HOT WATER and drying with clean towels.

Fingerprints and Stains:

Fingerprints and mild stains resulting from normal use are the most common surface contaminants. These do not affect the corrosion resistance, and are easy to remove.

- Can be removed using a Glass Cleaner.
- Or gentle rubbing with a paste of Soda Ash (sodium carbonate) and water applied with a soft cloth.

Cleaning should always be followed by rinsing with CLEAN HOT WATER and drying with clean towels.

Oil and Grease:

Oil and grease may carry grit, dust and sand which produce surface soiling, so periodic removal is necessary.

- Can be removed using soap or detergent and water or a combination of detergent and water plus a solvent. Non-halogenated solvents, such as Acetone, Methyl Alcohol, and Ethyl Alcohol work well. The preferred solvent is one that does not contain Chlorine.

Cleaning should always be followed by rinsing with CLEAN HOT WATER and drying with clean towels.

Maintenance and Trouble Shooting

Parts Reference

Item	Description	Part No.	Qty	Item	Description	Part No.	Qty
1	Pole Neck	ES170*	1	2	Housing Top Cover	ES171*	1
3	Pole Assembly	ES171*	1	4	Emitter	ES011	1
5	Knob	EH016	1	6	Handle	EH046	2
7	Wheel Assembly	EH029	1	8	Burner Housing Assembly	ES185*	1
9	Arm Assembly w/Shield Support	ES119	4	10	Main Housing	ES161*	1
11	Main Base	ES168*	1	12	Tip Switch	EE034	1
13	Electronic Igniter	EE028	1	14	Gas Valve	EG036	1
15	Current Interrupter	EG038	1	16	Pilot Burner	EE032	1
17	Thermocouple	EE038	1	18	Breakaway Pilot Nut	KG015	2
19	Pilot Tube S/S	EG042	1	20	Regulator Assembly		1

IR Energy reserves the right to make improvements to its product line without notice. Every part is replaceable; if the part is not listed, above please contact your IR Energy Rep for part information.

NOTE:

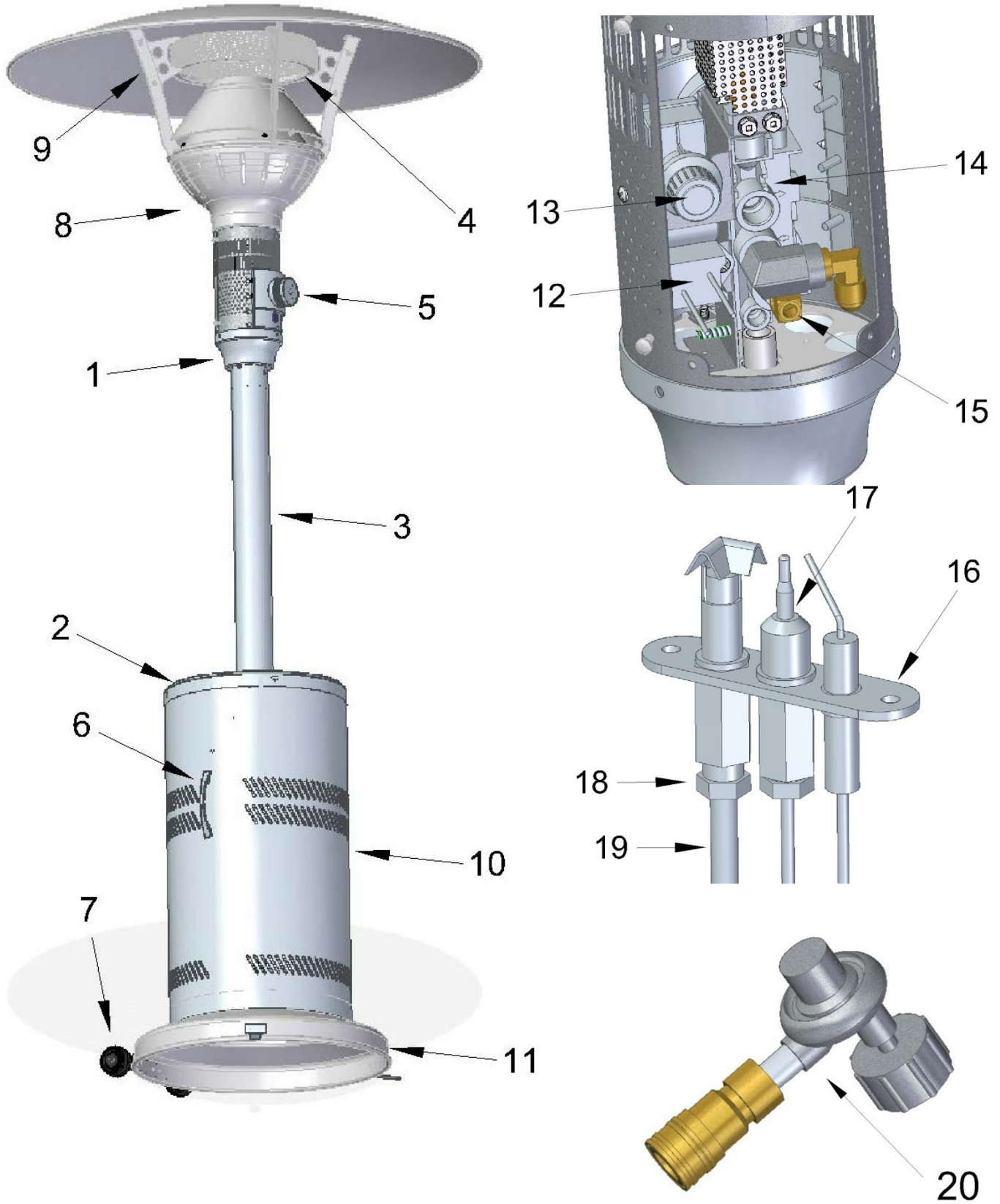
For parts with “*” suffix add S, B, or BR to the end of the part numbers for desired finish.

“S” = Stainless Steel

“B” = Black

“BR” = Bronze

Maintenance and Trouble Shooting



MODEL No. GA201M2 - INFRARED OUTDOOR PATIO HEATER WARRANTY

The Manufacturer warrants to the original owner that the burner and the emitter which have a replacement warranty period of 5 years and that product will be free of defects in material and workmanship for a period of 1 year from the date of purchase, for all other parts.

The Manufacturer's obligation under this warranty is limited to repair or replacement; FOB its facility, of the defective part. In the case of replacement parts the warranty period shall be the longer of the original warranty or a period of 12 months from the date of purchase. In no event shall the Manufacturer be liable for incidental expense or consequential damages of any kind.

This warranty does not cover any shipping, installation or other costs incurred in the repair or replacement of the product. No materials will be accepted for return without authorization.

This warranty will not apply if, in the judgment of the Manufacturer, the equipment has been improperly installed, maintained, unreasonably used, damaged or modified.

This warranty will not apply to damage to the product when used in corrosive atmospheres. The warranty provides protection against rust-through of parts that render the product inoperative. It does not cover occasional surface rust or staining due to environmental conditions. No person is authorized to assume for the Manufacturer any other warranty, obligation or liability.

THE REMEDIES PROVIDED FOR IN THE ABOVE EXPRESS WARRANTIES ARE THE SOLE AND EXCLUSIVE REMEDIES. NO OTHER EXPRESS OR IMPLIED WARRANTIES ARE MADE INCLUDING, BUT NOT LIMITED TO, ANY IMPLIED WARRANTY OF MERCHANTABILITY OR FITNESS FOR A PARTICULAR USE OR PURPOSE.

Manufacturer Contact Information:



563 Barton Street
Stoney Creek, ON
L8E 5S1
Canada

www.irenergy.ca