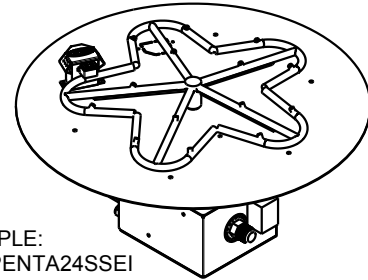
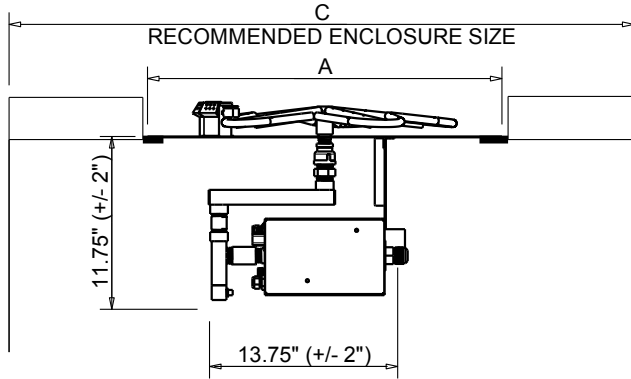




**FIRE INSPIRED<sup>™</sup>**

**CSA CERTIFIED-OUTDOOR USE ONLY  
FOR COMMERCIAL AND RESIDENTIAL USE**

**HEARTH PRODUCTS CONTROLS  
2225 LYONS RD.  
MIAMISBURG, OH 45342  
TOLL FREE: 877.585.9800  
PHONE: 937.436.9800  
www.hpcfired.com**



EXAMPLE:  
TOR-PENTA24SSEI

ISOMETRIC VIEW

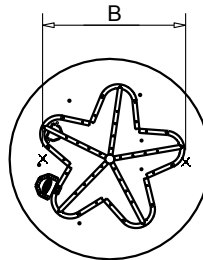
AVAILABLE IN:

- 120VAC OR 24VAC
- On/Off OR Hi/Low

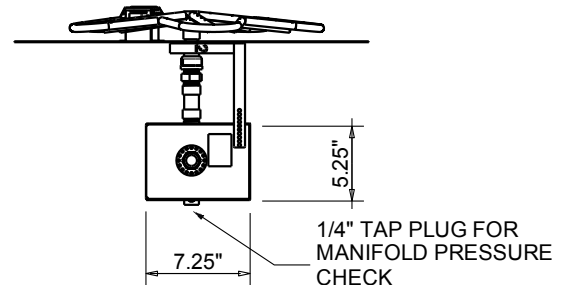
MATERIAL: 304 STAINLESS STEEL

Hi/Lo MODELS HAVE A 40% REDUCTION IN BTU ON LOW SETTING

PART NUMBER		STANDARD BTU		DIMENSION CHART		
		PENTA	TORPEDO	A"	B"	C"
TOR-	PENTA18EI	65K	65K	18	12	54
TOR-	PENTA24EI	125K	125K	24	18	72
TOR-	PENTA30EI	200K	200K	30	24	72
TOR-	PENTA36EI	250K	275K	36	30	80
TOR-	PENTA42EI	400K	375K	42	36	90
TOR-	PENTA54EI	400K	400K	54	48	90



PLAN VIEW



SIDE ELEVATION

PART NUMBER		STANDARD BTU		DIMENSION CHART		
		A"	B"	C"		
ROUND BURNER						
14SSEI	90K	14	12	54		

\*FOR TORPEDO BURNERS ADD TOR-

Notes:

1. PROPER VENTING

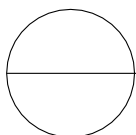
- ENCLOSURES: Recommend 4 each 18 sq.in. vents on opposing sides (Minimum 2 each 18 sq.in. vents).
- BOWLS (Copper, concrete or metal) - Bowl to be raised above mounting surface minimum of 3/4" gap; Bowl to have a minimum of 6" diameter hole in bottom

2. GAS SUPPLY - FOR USE WITH FIXED PIPING SYSTEMS ONLY - NOT FOR USE WITH SMALL TANKS.

- Natural Gas: Operating Supply Pressure: Minimum: 6.0" W.C.; Maximum: 7.0" W.C.
- LP Gas: Operating Supply Pressure: Minimum: 10.0" W.C.; Maximum: 11.0" W.C.

IMPORTANT: Ensure any flex line that may be used from the permanent main fuel supply to the product is rated to the stated max btu of the product and certified to ANSI Z21.75\*CSA 6.27.

- MODIFICATION OF PRODUCT WILL VOID ANY CERTIFICATION AND WARRANTY.
- FOLLOW ALL MANUFACTURER INSTALLATION INSTRUCTIONS AND LOCAL CODES.
- ALL DIMENSIONS ARE CONSIDERED TRUE AND REFLECT MANUFACTURER'S SPECIFICATIONS AS OF THE REVISION DATE.
- DO NOT SCALE DRAWING.
- THESE DRAWINGS ARE FOR SIZING AND PLANNING PURPOSES. ALL INFORMATION CONTAINED HEREIN WAS CURRENT AT THE TIME OF DEVELOPMENT. THE MANUFACTURER'S RESPONSIBLE FOR THE ACCURACY OF THE DRAWING.
- CONTRACTOR'S NOTE: FOR PRODUCT AND COMPANY INFORMATION VISIT [www.CADdetails.com/info](http://www.CADdetails.com/info) REFERENCE NUMBER 771-043.



**ELECTRONIC IGNITION**

**EI FLAT ROUND PAN- FLAME SENSING WITH ELECTRONIC HOT SURFACE IGNITION**