

4

3

2

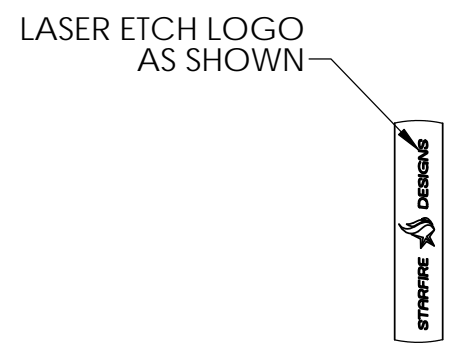
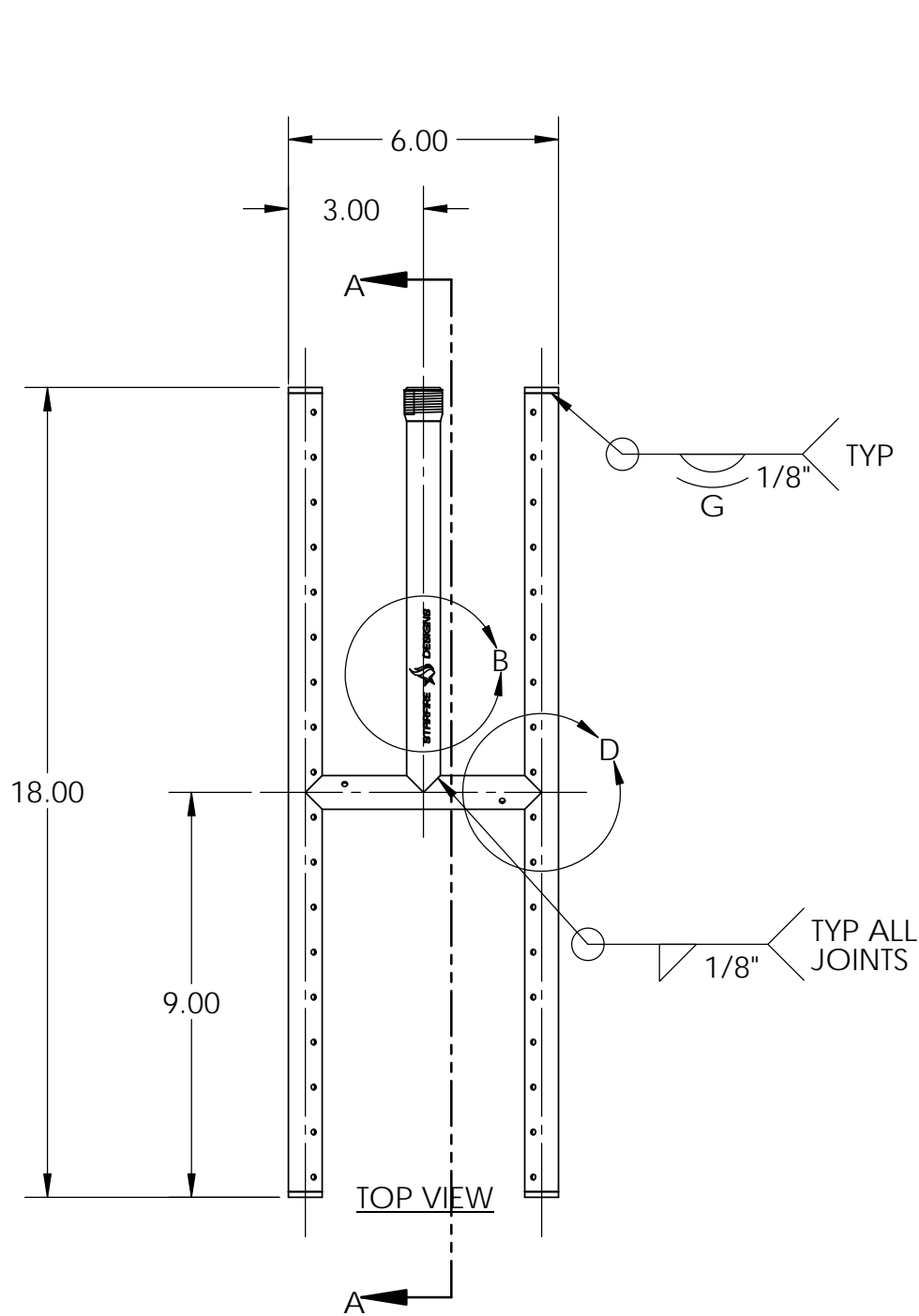
1

B

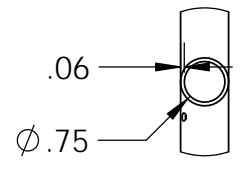
B

A

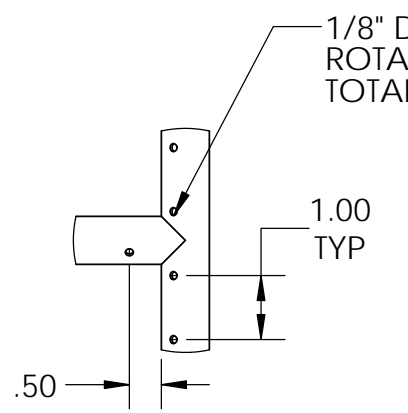
A



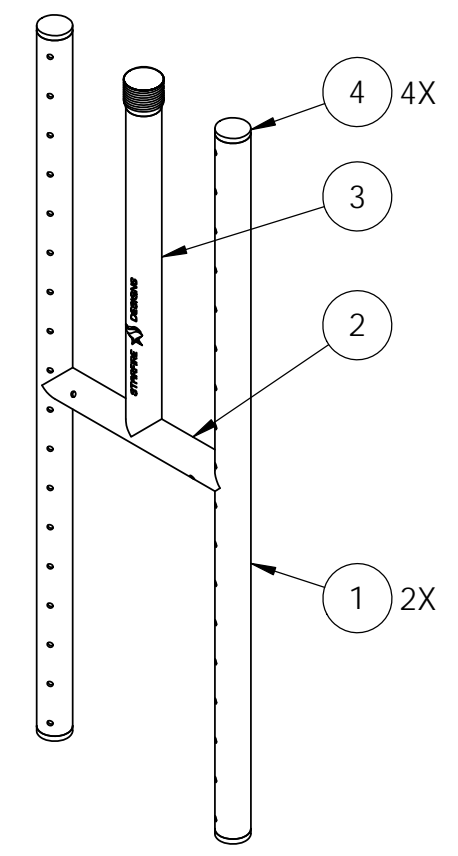
DETAIL B
SCALE 1 : 3



DETAIL C
SCALE 1 : 3



DETAIL D
SCALE 1 : 3



ISOMETRIC VIEW

1/8" DRILLED HOLES
ROTATED 30° OFF-CENTER
TOTAL NUMBER HOLES: 38

- NOTES:**
- ALL DIMENSIONS ARE IN INCHES UNLESS OTHERWISE SPECIFIED.
 - MATERIAL: 304SS
 - UNIT WEIGHT: ____ LBS
 - FOR NATURAL GAS ONLY, INDOOR/OUTDOOR USE.

ITEM NO.	QTY.	DESCRIPTION	LENGT H
4	4	END CAP, 1/8" THK	
3	1	AI RND TUBE 0.75 OD x 0.058 Wall	9
2	1	AI RND TUBE 0.75 OD x 0.058 Wall	5.25
1	2	AI RND TUBE 0.75 OD x 0.058 Wall	17.75

PROPRIETARY AND CONFIDENTIAL
 THE INFORMATION CONTAINED IN THIS DRAWING IS THE SOLE PROPERTY OF STARFIRE DIRECT. ANY REPRODUCTION IN PART OR AS A WHOLE WITHOUT THE WRITTEN PERMISSION OF STARFIRE DIRECT IS PROHIBITED.

UNLESS OTHERWISE SPECIFIED:		NAME	DATE	TITLE:	
DIMENSIONS ARE IN INCHES TOLERANCES: FRACTIONAL ± 1/8" ANGULAR: MACH ± BEND ± TWO PLACE DECIMAL ± THREE PLACE DECIMAL ±		DRAWN		H-BURNER 18"X6"	
INTERPRET GEOMETRIC TOLERANCING PER:		CHECKED			
MATERIAL		ENG APPR.			
FINISH		MFG APPR.			
NEXT ASSY	USED ON	Q.A.		SIZE	REV
APPLICATION		DO NOT SCALE DRAWING		B	A
				DWG. NO.	SCALE: 1:4
				SD-H-18	WEIGHT:
					SHEET 1 OF 1

4

3

2

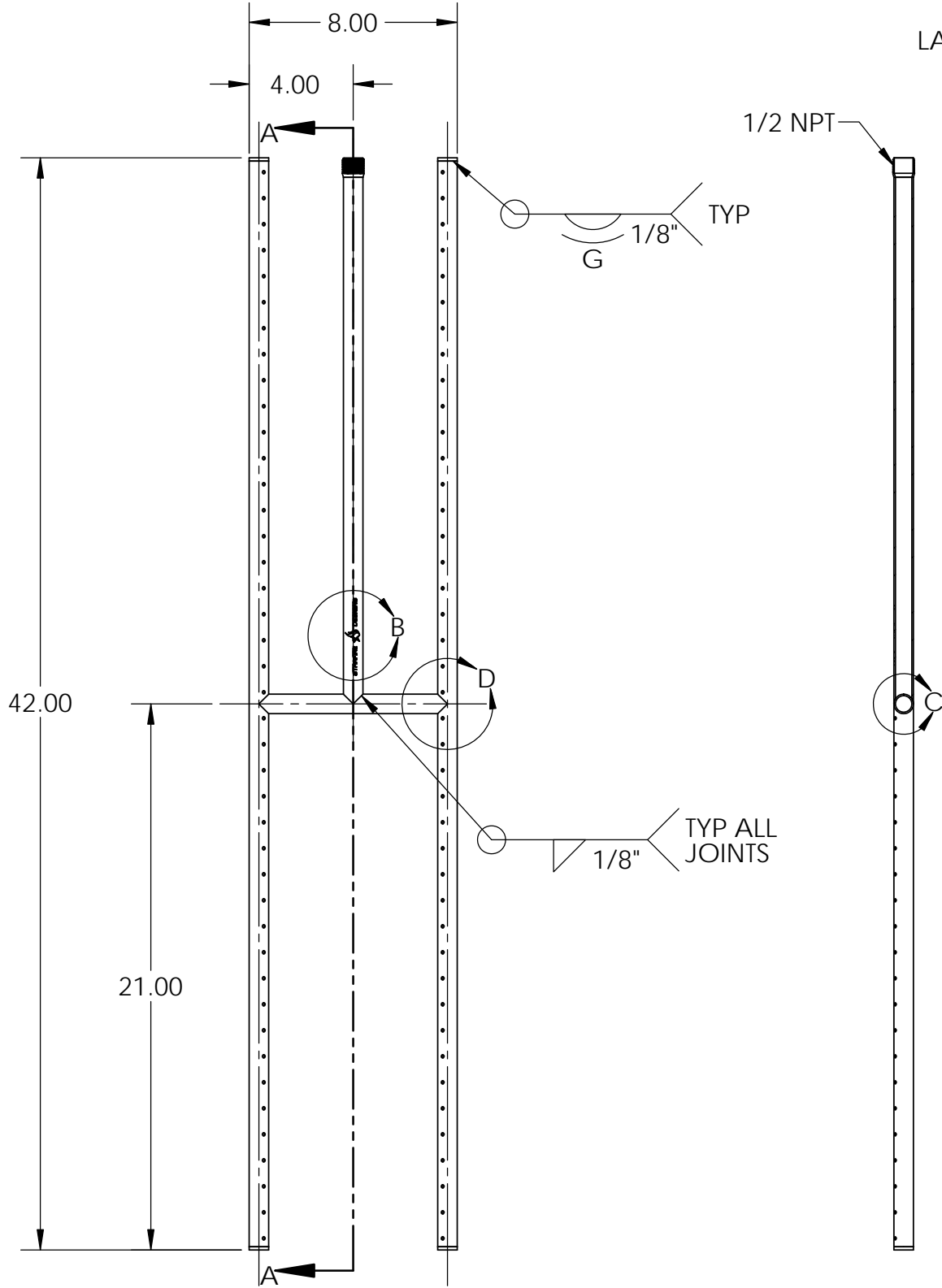
1

4

3

2

1



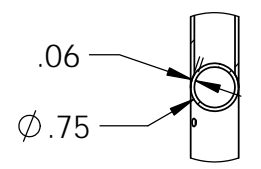
TOP VIEW

SECTION A-A

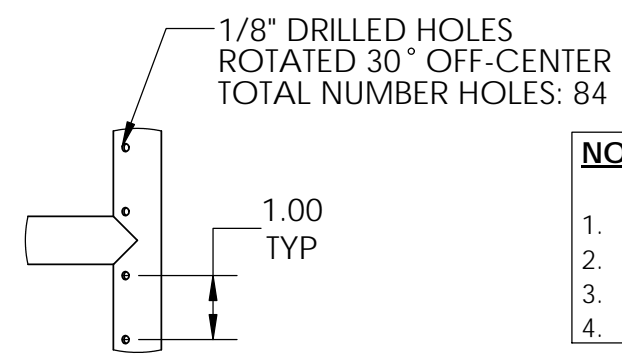
LASER ETCH LOGO AS SHOWN



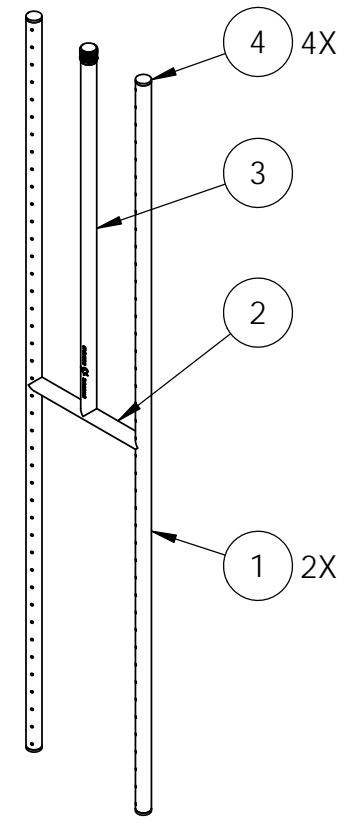
DETAIL B SCALE 1 : 3



DETAIL C SCALE 1 : 3



DETAIL D SCALE 1 : 3



ISOMETRIC VIEW

- NOTES:**
1. ALL DIMENSIONS ARE IN INCHES UNLESS OTHERWISE SPECIFIED.
 2. MATERIAL: 304SS
 3. UNIT WEIGHT: ____ LBS
 4. FOR NATURAL GAS ONLY, INDOOR/OUTDOOR USE.

ITEM NO.	QTY.	DESCRIPTION	LENGT H
4	4	END CAP, 1/8" THK	
3	1	AI RND TUBE 0.75 OD x 0.058 Wall	21
2	1	AI RND TUBE 0.75 OD x 0.058 Wall	7.25
1	2	AI RND TUBE 0.75 OD x 0.058 Wall	41.75

PROPRIETARY AND CONFIDENTIAL
 THE INFORMATION CONTAINED IN THIS DRAWING IS THE SOLE PROPERTY OF STARFIRE DIRECT. ANY REPRODUCTION IN PART OR AS A WHOLE WITHOUT THE WRITTEN PERMISSION OF STARFIRE DIRECT IS PROHIBITED.

UNLESS OTHERWISE SPECIFIED:		NAME	DATE	TITLE:	
DIMENSIONS ARE IN INCHES		DRAWN		H-BURNER 42"X8"	
TOLERANCES:		CHECKED			
FRACTIONAL: ± 1/8"		ENG APPR.			
ANGULAR: MACH ± BEND ±		MFG APPR.			
TWO PLACE DECIMAL ±		Q.A.		SIZE	DWG. NO.
THREE PLACE DECIMAL ±				B	SD-H-42
INTERPRET GEOMETRIC TOLERANCING PER:				REV	
MATERIAL				A	
FINISH				SCALE: 1:6	WEIGHT:
NEXT ASSY	USED ON			SHEET 1 OF 1	
APPLICATION		DO NOT SCALE DRAWING			

4

3

2

1