



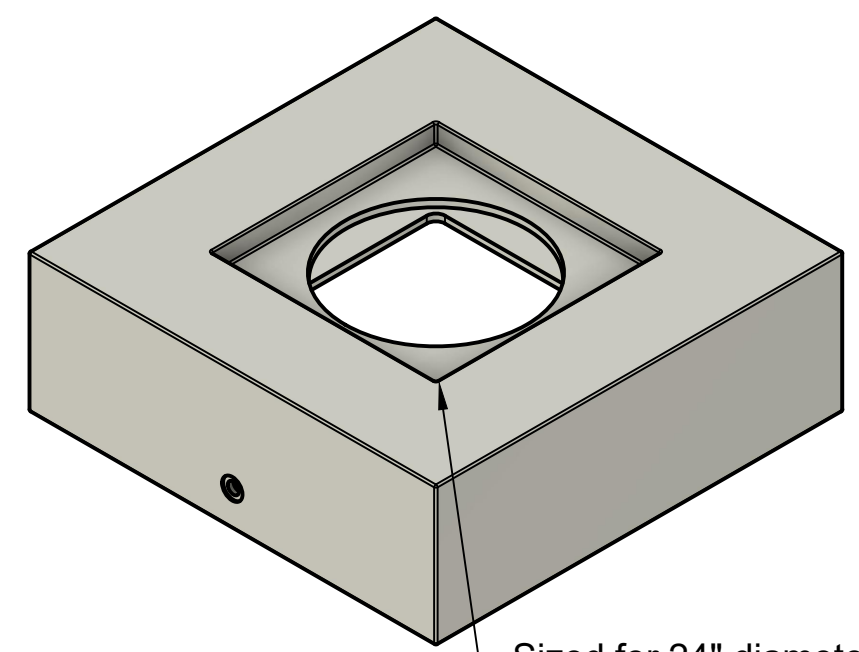
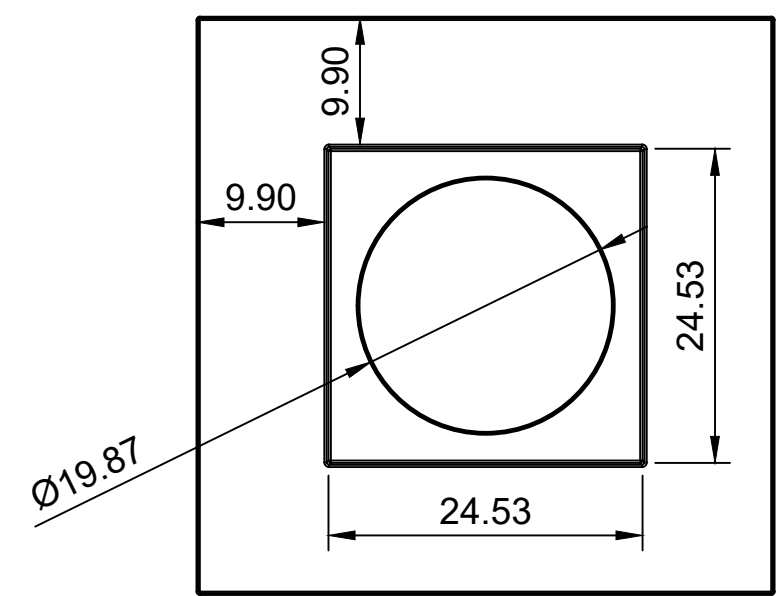
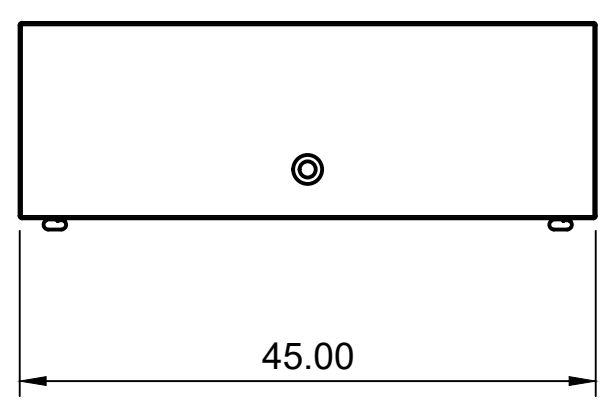
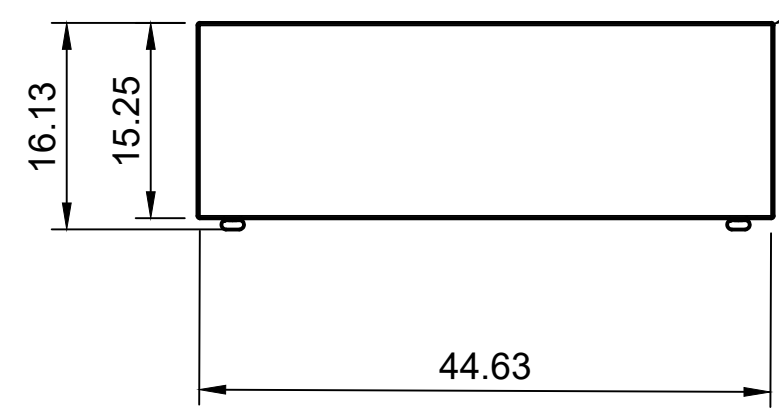
Model	
Starfire Designs Gravity 45" Square	
Part SD-FP-GRAV-454516	
Date	Revision
6/24/2021	V2

Basic Details	
Density	125 lb/ft ³
Volume	2.151 ft ³
Weight	269 lbs

GFRC Part Tolerancing	
1' - 2'	0.030"
2' - 5'	0.0625"
5' - 10'	0.125"

Scale	Units	Sheet #
1:15	inches	1/1

R.19 typ. all exterior corners



Sized for 24" diameter round burner pan, with round 18" burner