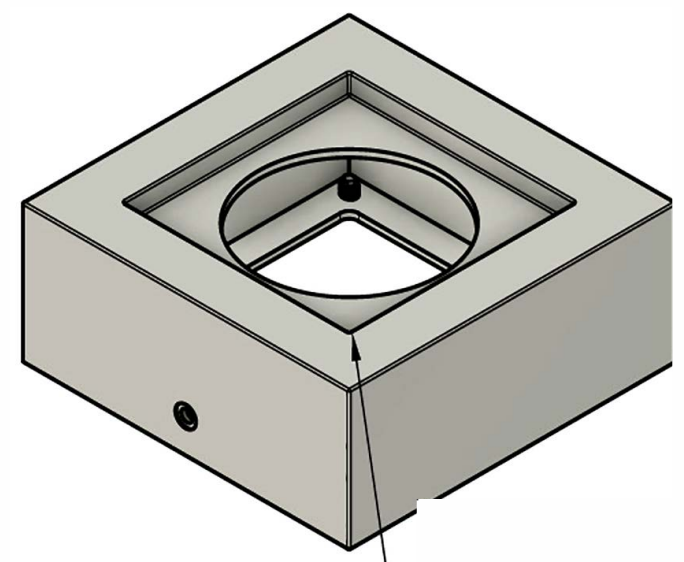
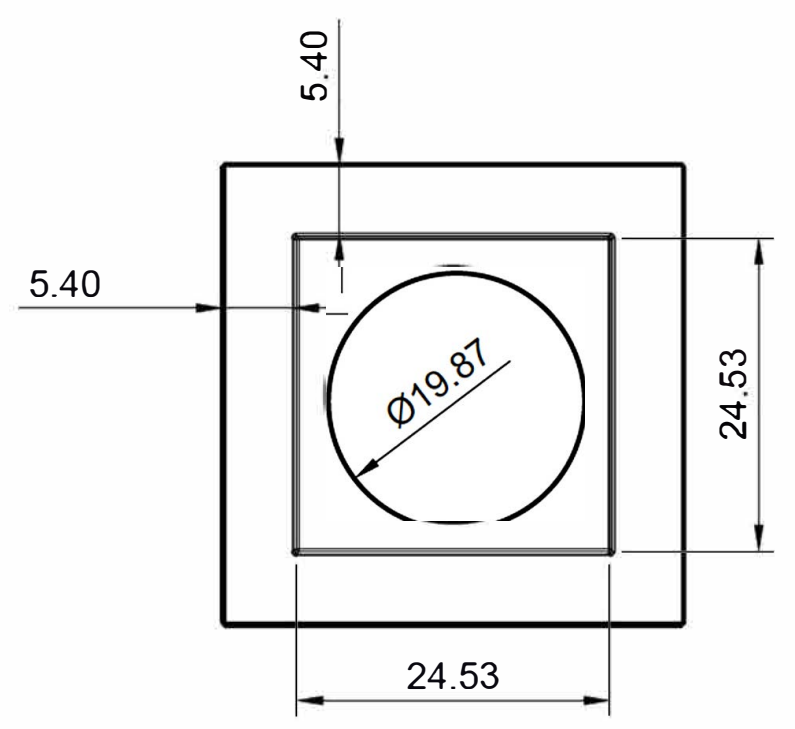
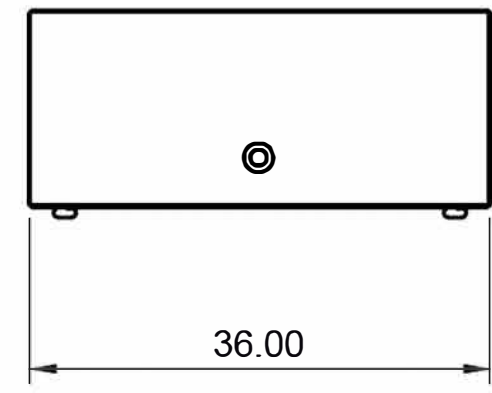
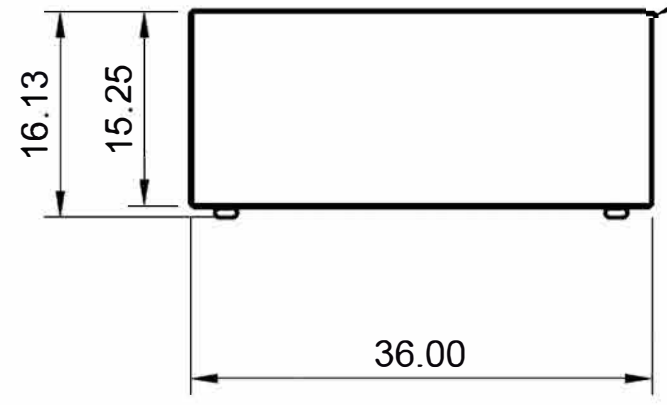


R.19 typ. all exterior corners



Sized for 24" diameter round burner pan with round 18" burner



Model	
Starfire Designs Gravity 36" Square	
Part SD-FP-GRAV-363616	
Date	Revision
6/24/2021	V3

Basic Details	
Density	125 lb/ft ³
Volume	1.557 ft ³
Weight	195 lbs

GFRC Part Tolerancing	
1' - 2'	0.030"
2' - 5'	0.0625"
5' - 10'	0.125"

Scale	Units	Sheet #
1:15	inches	1/1