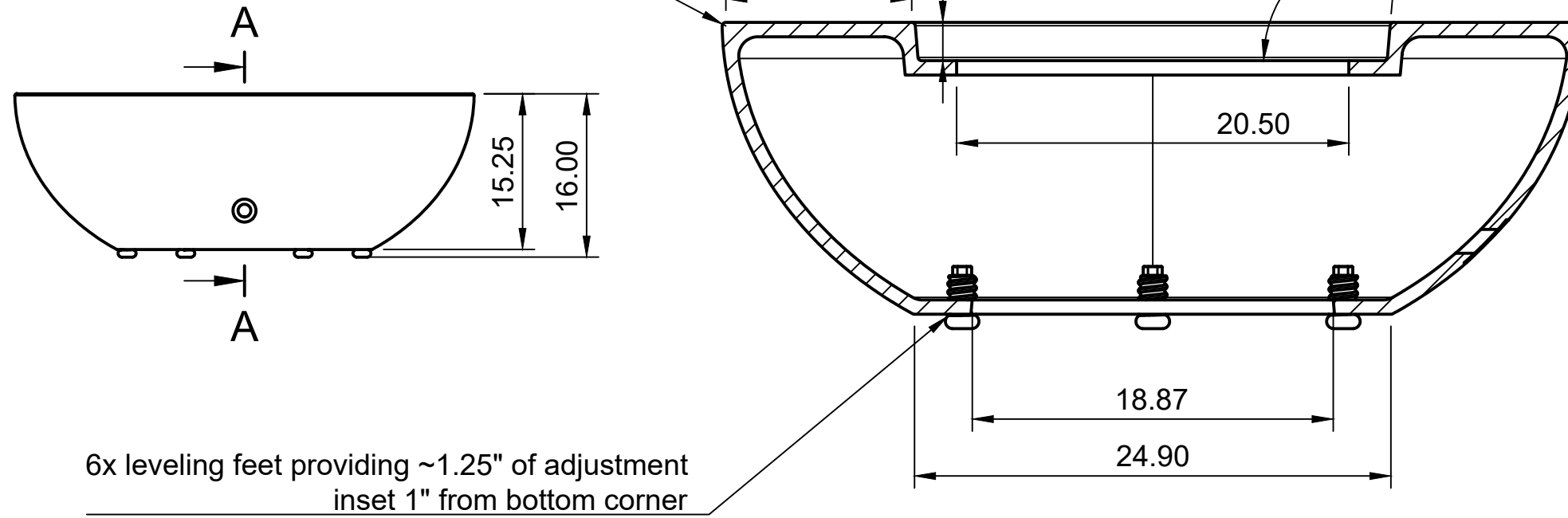
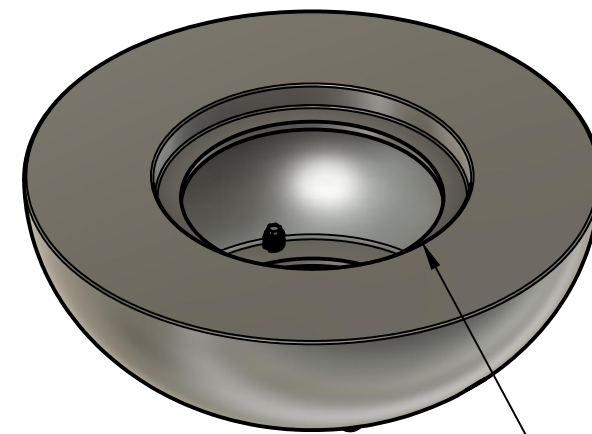
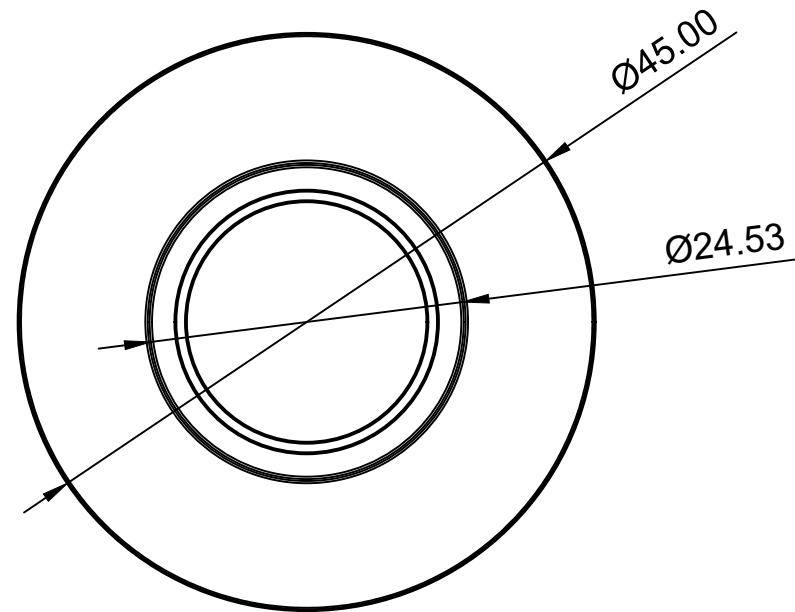


R.19 Typ. edge radius

A-A (1:8)



6x leveling feet providing ~1.25" of adjustment
inset 1" from bottom corner



sized for 24" diameter burner pan



Model	
Starfire Designs Gravity 45" Round	
Part: SD-FP-GRAV-4516	
Date	Revision
6/4/2021	V2

Basic Details	
Density	125 lb/ft ³
Volume	1.629 ft ³
Weight	204 lbs

GFRC Part Tolerancing	
1' - 2'	0.030"
2' - 5'	0.0625"
5' - 10'	0.125"

Scale	Units	Sheet #
1:15	inches	1/1