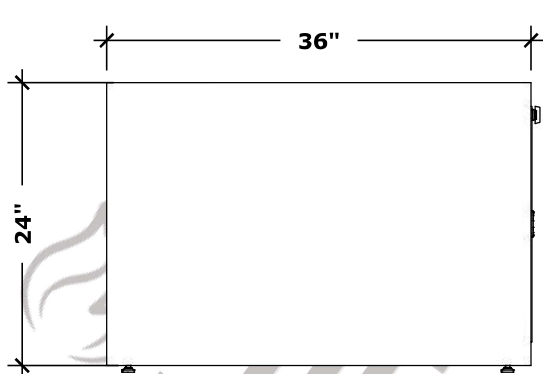


# Gravity Collection | 36" x 36" x 24"

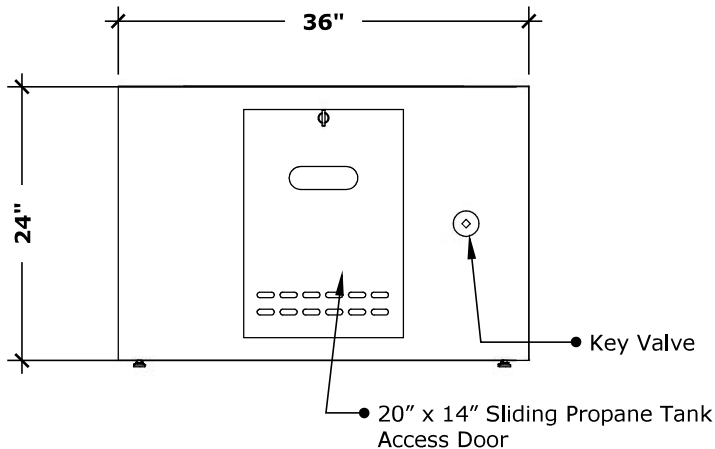


Manufactured By **THE OUTDOOR PLUS**  
USA MANUFACTURER OF FIRE & WATER FEATURES



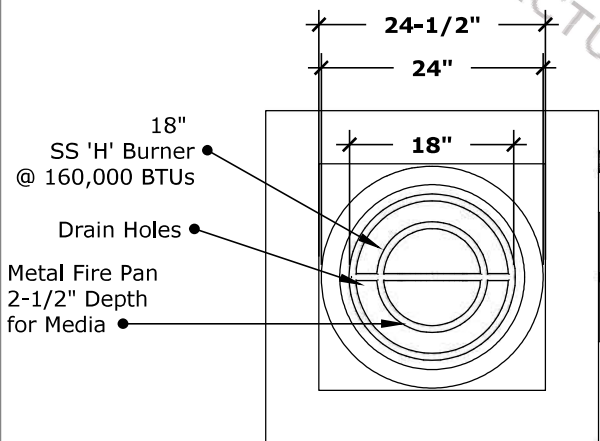
**FRONT VIEW**

scale: 1/2" = 1'-0" (1:24)



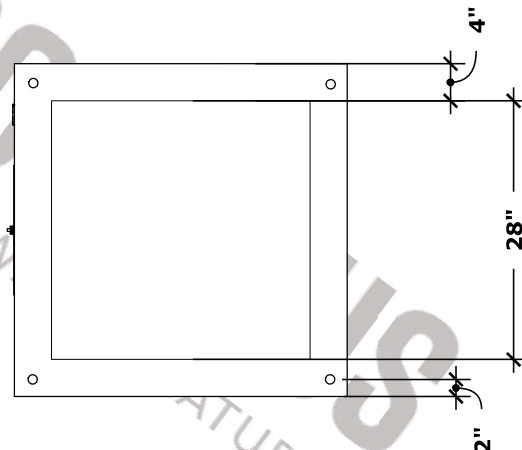
**RIGHT VIEW**

scale: 1/2" = 1'-0" (1:24)



**TOP VIEW**

scale: 1/2" = 1'-0" (1:24)



**UNDERSIDE VIEW**

scale: 1/2" = 1'-0" (1:24)

Fire Pit Material: Copper, Powder Coated Steel, Stainless Steel, or Corten Steel

Pan Material: 316 Stainless Steel

Burner Material: 316 Stainless Steel

Gas Type: Liquid Propane (Door Included) or Natural Gas

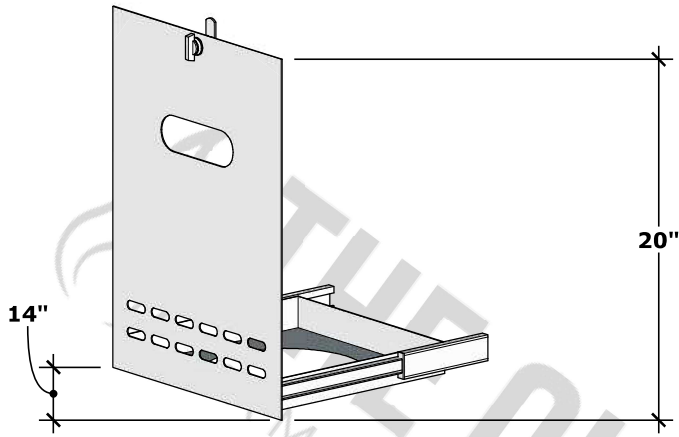
**Match Lit Unit Includes:** Pan, Burner, Gas Orifice, Gas Hoses, Key Valve, Key, & Lava Chunks.

**110v Ignition Unit Includes:** Pan, Burner, Gas Orifice, Gas Hoses, Key Valve, Key, Plug & Play Electronic Valve, Pilot Igniter.



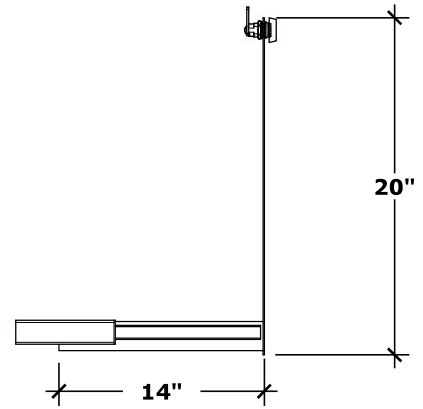
**110V ELECTRONIC IGNITION CERTIFICATION**  
 ANSI Z21.97-(2017) / CSA 2.41-(2017)

**Sliding Access Door** | Door: 20" x 14"  
 Sliding Tray: 14" x 14" x 2"



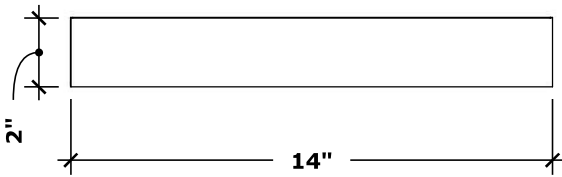
**FRONT VIEW**

scale: 1/2" = 1'-0" (1:24)



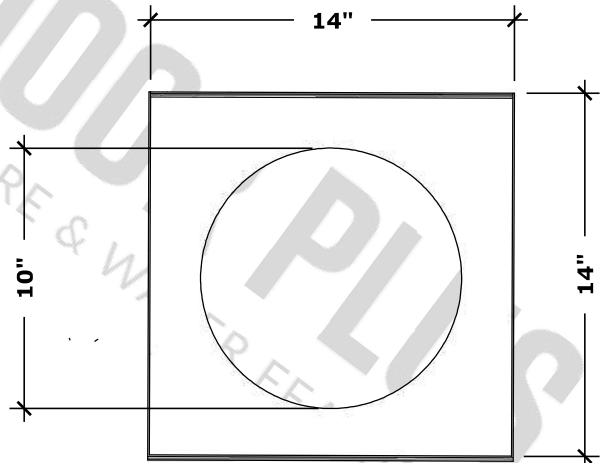
**RIGHT VIEW**

scale: 1/2" = 1'-0" (1:24)



**TOP VIEW**

scale: 1/2" = 1'-0" (1:24)



**UNDERSIDE VIEW**

scale: 1/2" = 1'-0" (1:24)

Access Door Material: Copper, Powder Coated Steel, Stainless Steel, or Corten Steel

Access Door Includes: Door with Latch & Sliding drawer