



THE OUTDOOR
GREATROOM
COMPANY

Fire Pit Tables

Sierra and Grandstone

Installation Instructions



Contents

Contents.....	2
Required Tools.....	3
Placing the Table.....	4
Igniter Installation	5
Gas Connection.....	6
Thermocouple Installation.....	7
Electrode Installation.....	7
Placing the Top.....	8
Locating Propane tank.....	8
Door Installation.....	9

Notice:

This unit is listed for use in North America for both residential and commercial applications. In the event that the appliance can be used by those unfamiliar with the appliance, we suggest the use of a master Key Valve to prevent unauthorized use. The use of a Glass Guard is also strongly recommended when small children or other individuals with reduced sensory or mental capacities may be in close proximity to the appliance.

Required Tools



- **Utility Knife**

To cut and remove packaging



- **2 Open Ended Wrenches**

To make gas connections



- **Leather Gloves**

To protect hands from rough edges found on the coffee table.



- **One (1) AAA Battery (not included)**

Required for igniter installation for Crystal Fire Plus burners.



- **It is recommended that a minimum of two people assemble and install fire pit tables.**

Placing the Fire Pit table

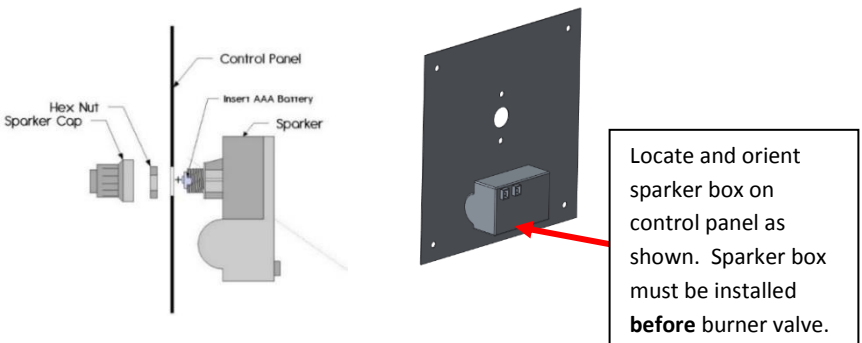
1. Remove access door
2. Remove the base from the box
3. Move the base without door to desired location and set into place.
4. When locating your coffee table, refer to the Crystal Fire Plus manual and maintain clearance to combustibles.



Before completing the following steps, read and understand the Crystal Fire Plus owner's manual.

Igniter Installation

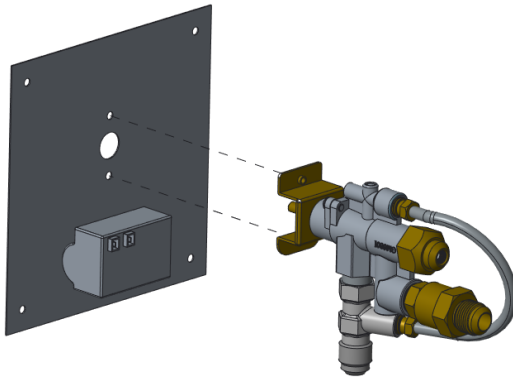
- Locate CF-SPARKER inside of crystal fire burner box.
- Remove CF-SPARKER cap and hex nut. Insert AAA battery (not included) with + end out.
- Install CF-SPARKER into control panel as shown below.
- Depress CF-SPARKER button to test your sparker.



Gas Connection

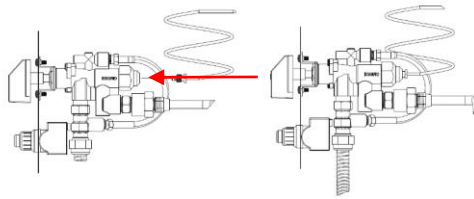
Read and understand your Crystal Fire Burner Owner's manual before beginning burner hookups or using the device.
Do not use Teflon tape or pipe dope on flare fittings.

- **See Crystal Fire Plus instructions for burner installation.**
 - All gas connections were completed at the factory.
- Check all connections for leaks. If needed, tighten connection with 2 wrenches and re-check for leaks.
- Attach burner valve to control panel with provided screws as shown below. Ensure sparker box is installed before this step.

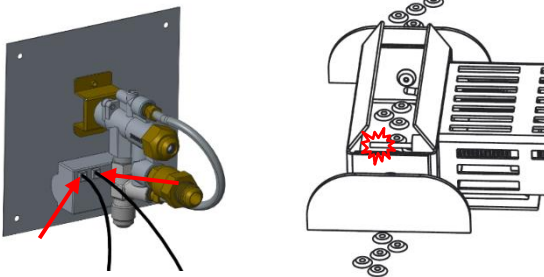


Thermocouple Installation

- Refer to **Crystal Fire Plus instruction manual for detailed attachment of thermocouple.**
- Attach thermocouple to burner valve as shown below.



Electrode Installation



- Plug both **BLACK** wires hanging from the burner into the back of the CF-SPARKER. If an orange wire is present, do not use it. The orange wire is for Direct Spark Ignition system only.
- Test system by pushing the button on the igniter. Consult the troubleshooting section of the Crystal Fire Plus Burner Owner's Manual, if the spark is weak, intermittent, or not present.

Placing the top

1. With the help of at least one other person, remove concrete, granite, or tile top from packaging and gently lower on to your fire pit table base. Construction adhesive or silicone may be used on the top of the base for a more stable and permanent placement in heavy use areas.

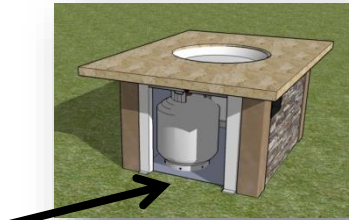


Lower burner onto base **with burner neck facing in the direction of control panel location.**

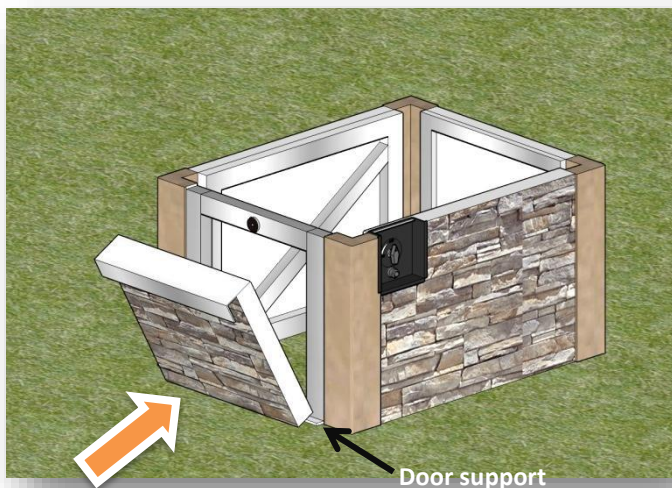
Locating your Tank

1. Your tank should be positioned so that the fuel can be shut off after each use.
2. Slide the tank into the framework past the line shown below. This is to allow the door to close completely.
3. Confirm all hoses are clear and not touching the burner.

Position tank
behind this line



Door Installation



Set door on supports and close. Magnet will hold door in closed position.

IMPORTANT

Please consult your Crystal Fire Plus instruction manual for detailed instructions and important information related to hooking up your burner, including safety information, proper tightening of connections with two wrenches and full burner setup and lighting instructions.

DO NOT ATTEMPT TO INSTALL BURNER WITHOUT FIRST CONSULTING THE MANUAL. IF YOU ARE UNSURE OF HOW TO COMPLETE THE STEPS OUTLINED, CONSULT A QUALIFIED TECHNICIAN

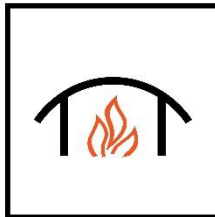
WARNING

After consulting the manual and following instructions, remember; before operating, all gas connections must be fully checked for leaks

Warranty: Fire pit tables are covered under a 1-year manufacturer's warranty. Please visit <http://www.outdoorrooms.com/warranty-form> to register your product.



WARNING: This product can expose you to chemicals including Carbon Monoxide and Benzene which are known to the State of California to cause cancer or birth defects or reproductive harm. For more information, visit www.P65Warnings.ca.gov



14400 Southcross Drive West • Suite 100 • Burnsville, MN 55306
Toll Free: 1-866-303-4028 • Sales@OutdoorRooms.com

