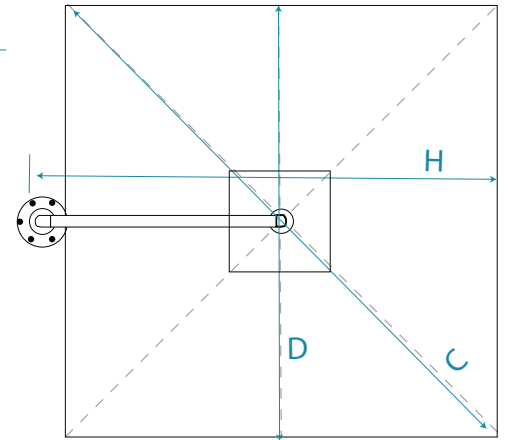
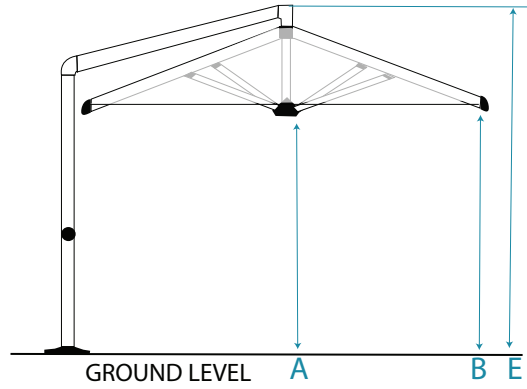
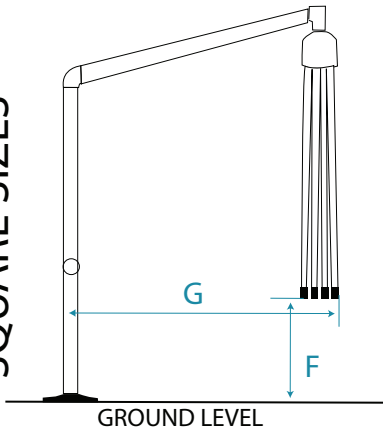
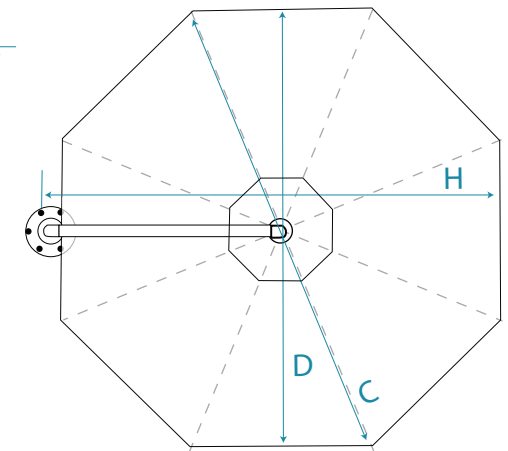
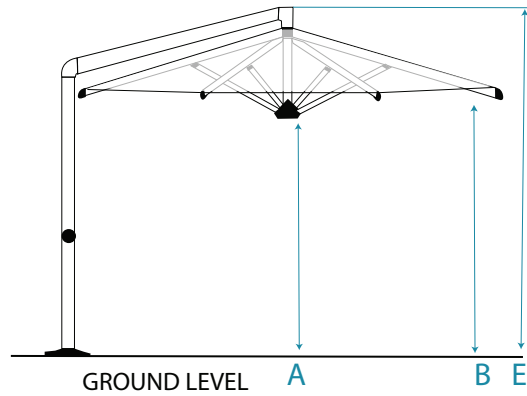
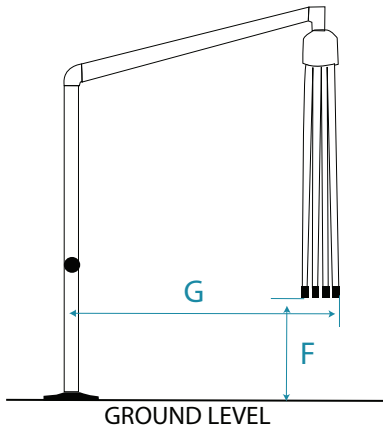


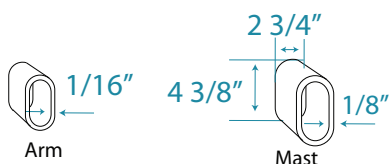
## SQUARE SIZES



## OCTAGON SIZES



| ORION SPECIFICATIONS |  | 2.7 M<br>8' 9"<br>Square | 3.0 M<br>9' 9"<br>Square | 3.0 M<br>9' 9"<br>Octagon | 3.5 M<br>11' 5"<br>Octagon | 4.0 M<br>13' 1"<br>Octagon |
|----------------------|--|--------------------------|--------------------------|---------------------------|----------------------------|----------------------------|
| <b>A</b>             | Hub above ground                                 | 6' 8"                    | 7'                       | 6' 7"                     | 7' 2"                      | 7' 1"                      |
| <b>B</b>             | Arms above ground                                | 6' 9"                    | 6' 11"                   | 7'                        | 7' 4"                      | 7' 4"                      |
| <b>C</b>             | Canopy diameter/ diagonally                      | 12' 6"                   | 13' 10"                  | 9' 9"                     | 11' 5"                     | 13' 1"                     |
| <b>D</b>             | Canopy Width                                     | 8' 9"                    | 9' 9"                    | 8' 8"                     | 10' 2"                     | 11' 8"                     |
| <b>E</b>             | Total overall height (top of head fitting)       | 9' 3"                    | 9' 7"                    | 8' 11"                    | 9' 4"                      | 9' 10"                     |
| <b>F</b>             | Height of arms off ground when folded down       | 2' 4"                    | 1' 9"                    | 3' 6"                     | 2' 9"                      | 2' 6"                      |
| <b>G</b>             | Outside of mast outside of arms when folded down | 5' 9"                    | 6' 2"                    | 5' 4"                     | 6' 3"                      | 7' 3"                      |
| <b>H</b>             | Outside mast to canopy edge                      | 9' 6"                    | 10' 6"                   | 9' 4"                     | 11' 4"                     | 12' 3"                     |



Mast is 2 3/4" x 4 3/8" and 1/8" thick.  
Arm thickness is 1/16".

Center of winder box is 3'1" above the ground.

